



3+



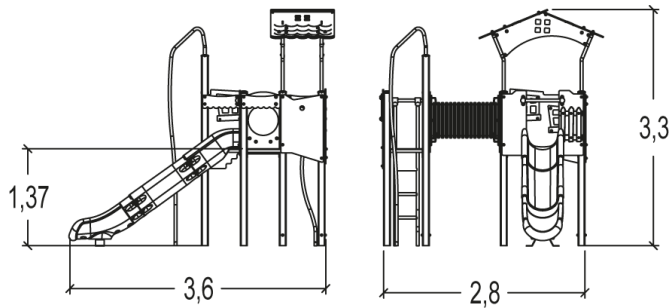
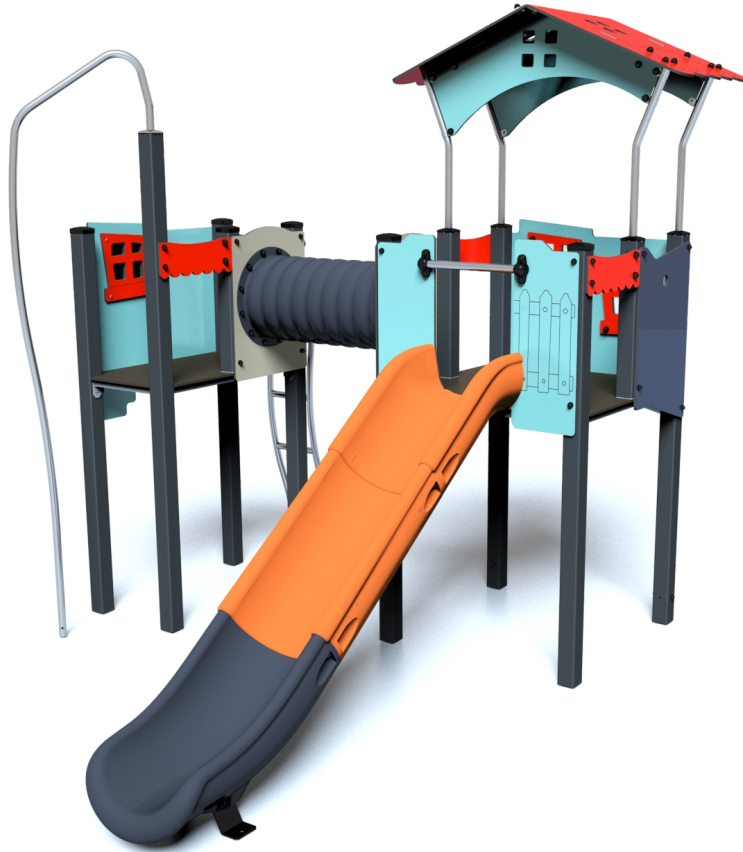
15



2m



1 = 2,85m 2 = 3,75m 3 = 3,22m



Play value : 10

sliding



x2

meeting



x2

crawling



x1

hiding



x3

taking shelter

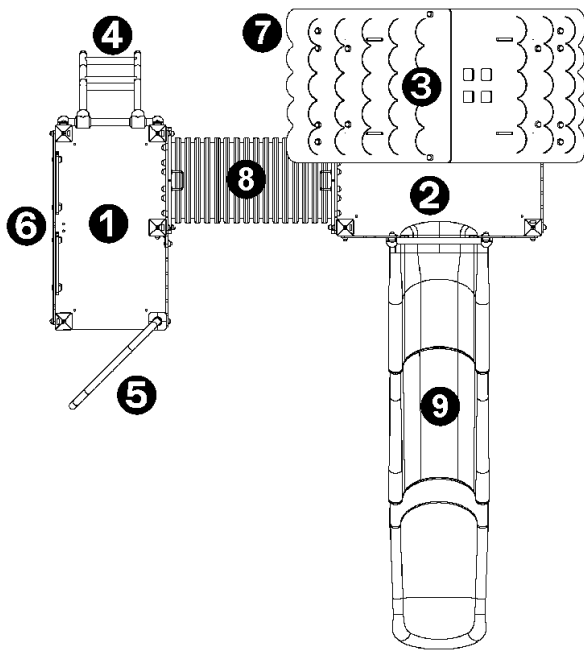


x1

climbing



x1

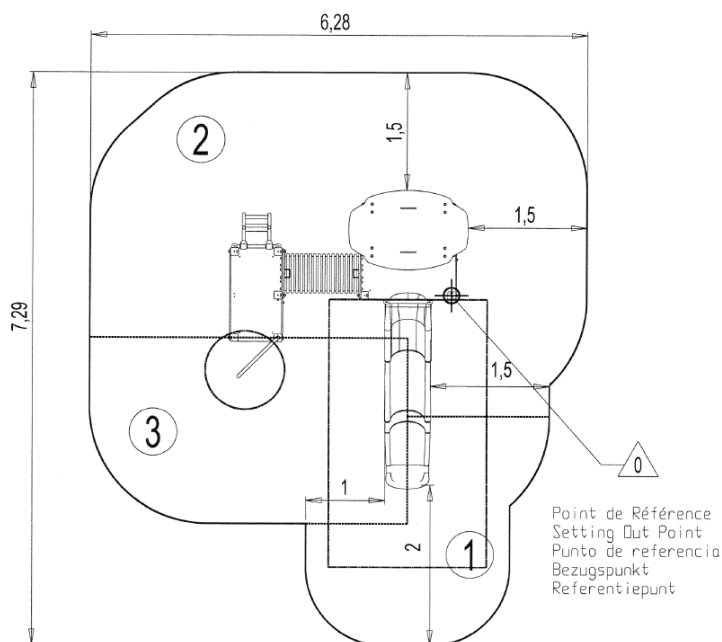


- ① Rectangular platform
- ② Square platform
- ③ Themed roof
- ④ Curved ladder
- ⑤ Fireman's pole H: 1.37m
- ⑥ Window fencing
- ⑦ Themed fencing
- ⑧ Tunnel
- ⑨ Kayak slide

## Installation of equipment

Impact area =

- Impact area
- Free space



Point de Référence  
Setting Out Point  
Punto de referencia  
Bezugspunkt  
Referentiepunt

1	1m	6m <sup>2</sup>
2	1,37m	20,5m <sup>2</sup>
3	2m	9,5m <sup>2</sup>



2



12h00



0.35m<sup>3</sup>



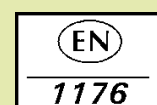
35.5m<sup>2</sup>



468kg



22kg



*Proludic*

2015-02-24