



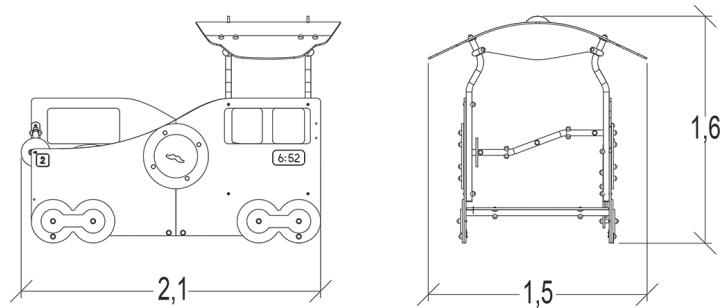





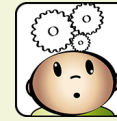

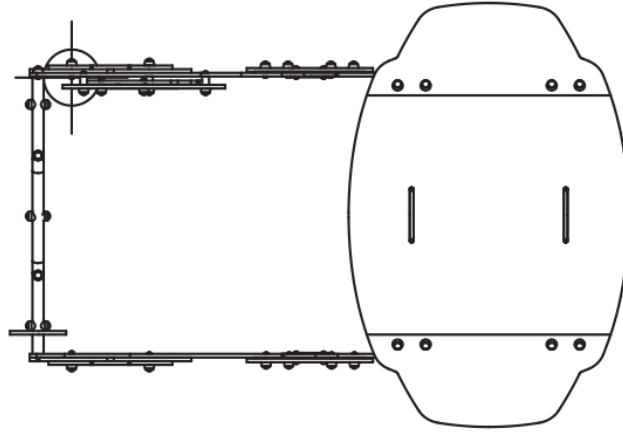
 2-6 | 
  6 | 
  0,6m | 
  1 = 2,07m 2 = 1,51m 3 = 1,57m

 Motor disability    
 Sensorial disabilities    
 Learning disabilities



Play value : 7

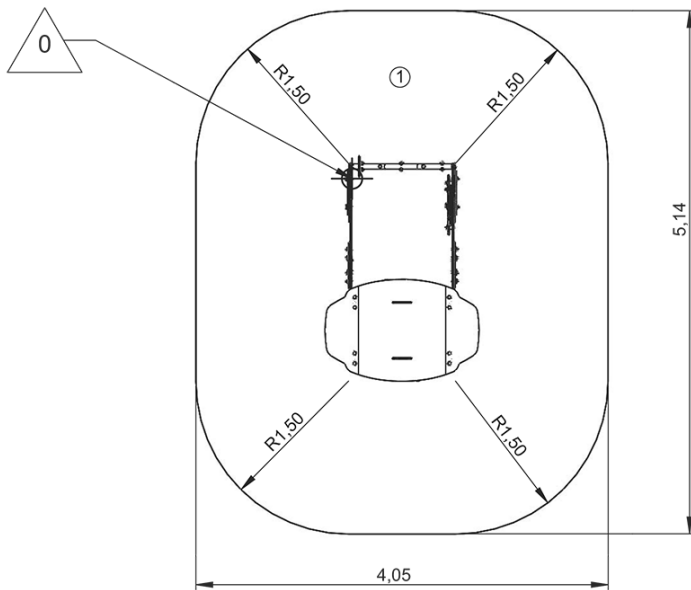
 <p>role play</p> <p>x1</p>	 <p>meeting</p> <p>x1</p>	 <p>resting</p> <p>x1</p>	 <p>handling</p> <p>x1</p>	 <p>taking shelter</p> <p>x1</p>	 <p>thinking</p> <p>x1</p>	 <p>visual stimulation</p> <p>x1</p>
--	--	--	---	---	--	---





## Installation of equipment

Impact area =

-  Impact area
-  Free space



		
1	0,6m	19m <sup>2</sup>



2



02h00



0.1m<sup>3</sup>



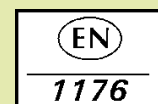
19m<sup>2</sup>



125kg



13kg



*Proludic*

0000-00-00