



2-6



18



0,86m



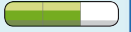
1 = 5,5m 2 = 0,8m 3 = 1,4m



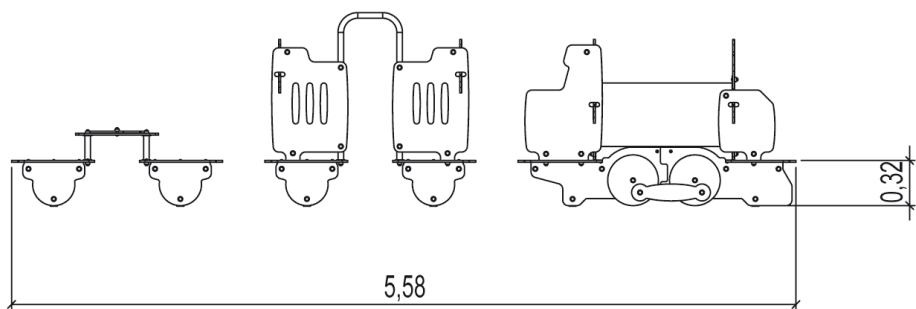
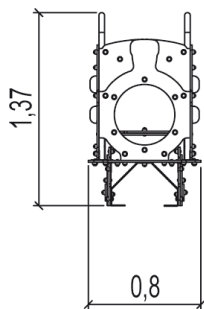
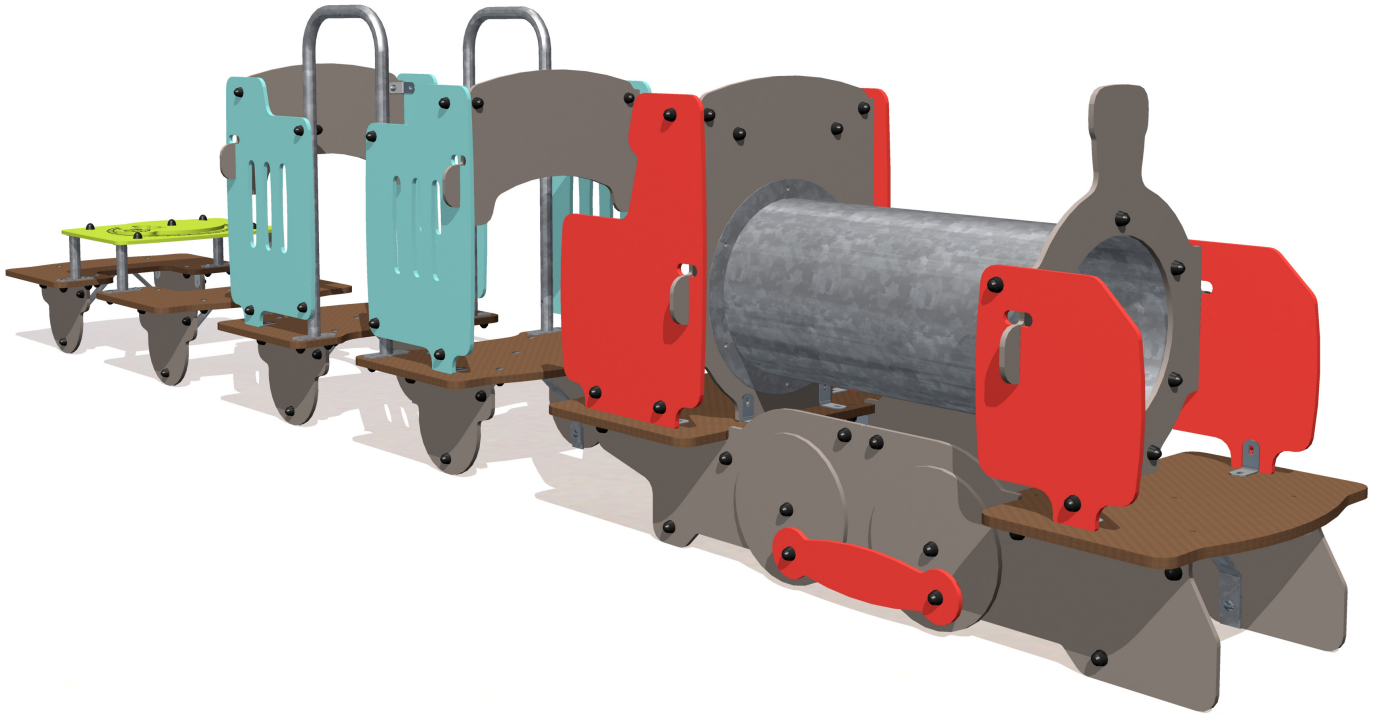
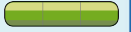
Motor disability



Sensorial disabilities



Learning disabilities



Play value :

12

role play



x2

meeting



x3

resting



x3

handling



x1

crawling



x1

hiding

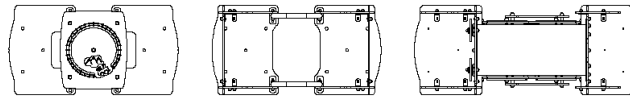


x1

thinking



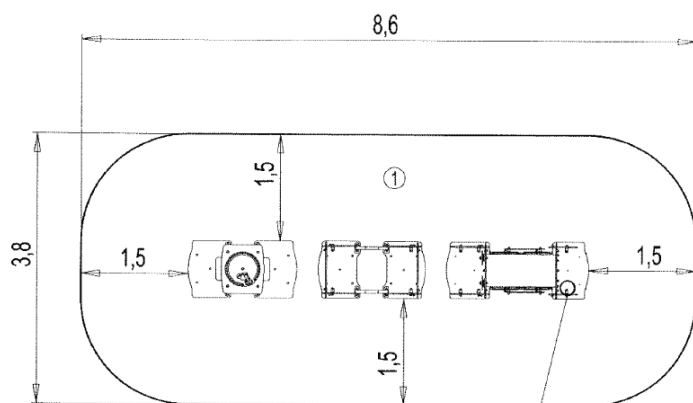
x1





## Installation of equipment

Impact area =

-  Impact area
-  Free space



Point de Référence  
Setting Out Point  
Punto de referencia  
Bezugspunkt

		
1	0,86m	30,6m <sup>2</sup>



2



00h00



0m<sup>3</sup>



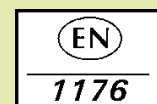
30.6m<sup>2</sup>



191kg



9kg



*Proludic*

2012-11-09