



2-6



4



0,6m



1 = 2,18m 2 = 2,05m 3 = 0,93m



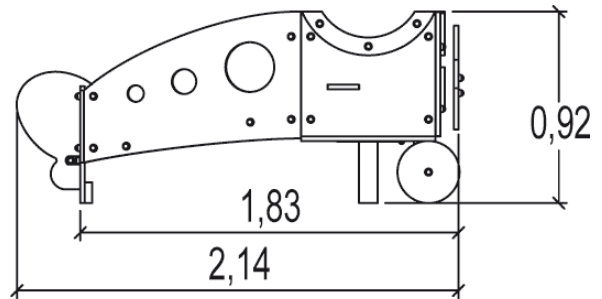
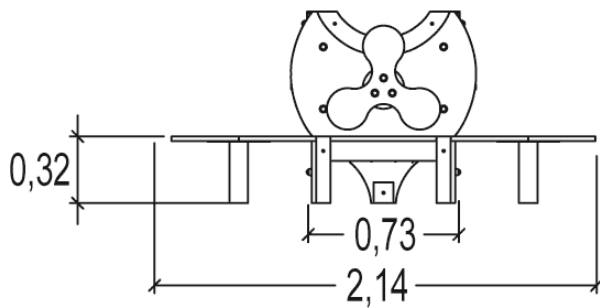
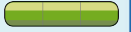
Motor disability



Sensorial disabilities



Learning disabilities



Play value : 4

handling



resting

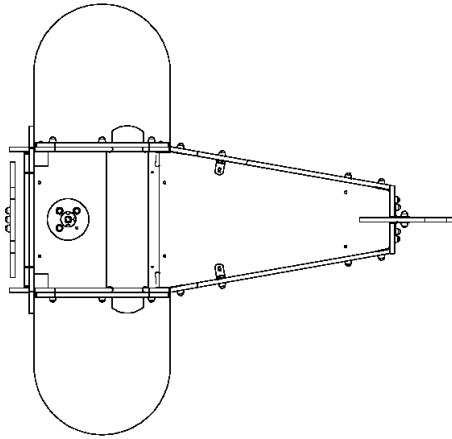


meeting



role play

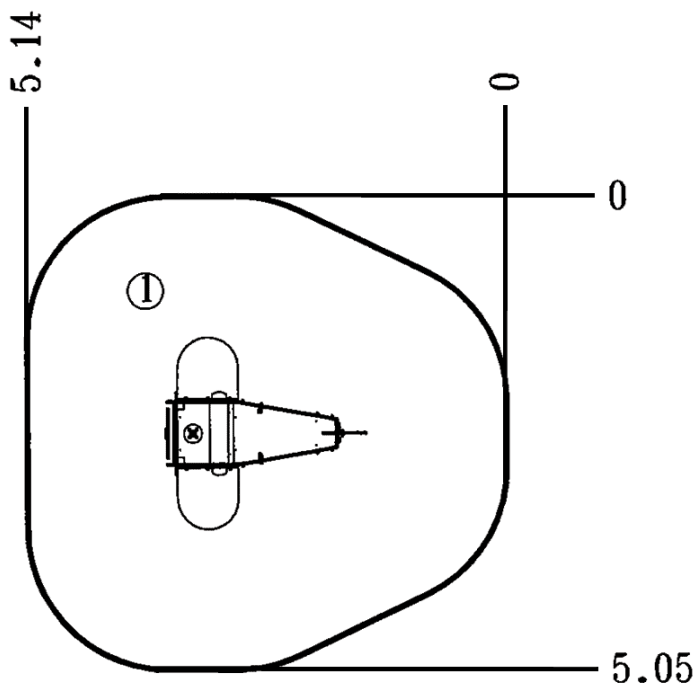












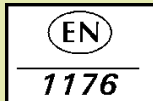

Installation of equipment

Impact area =

-  Impact area
-  Free space



		
1	0,6m	22m ²

							
2	03h45	0.14m ³	22m ²	118kg	27kg		2012-11-13