



3+



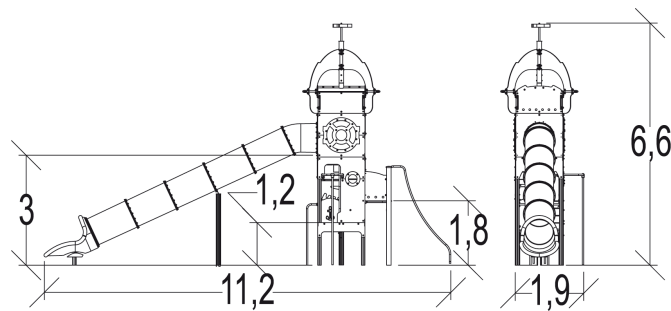
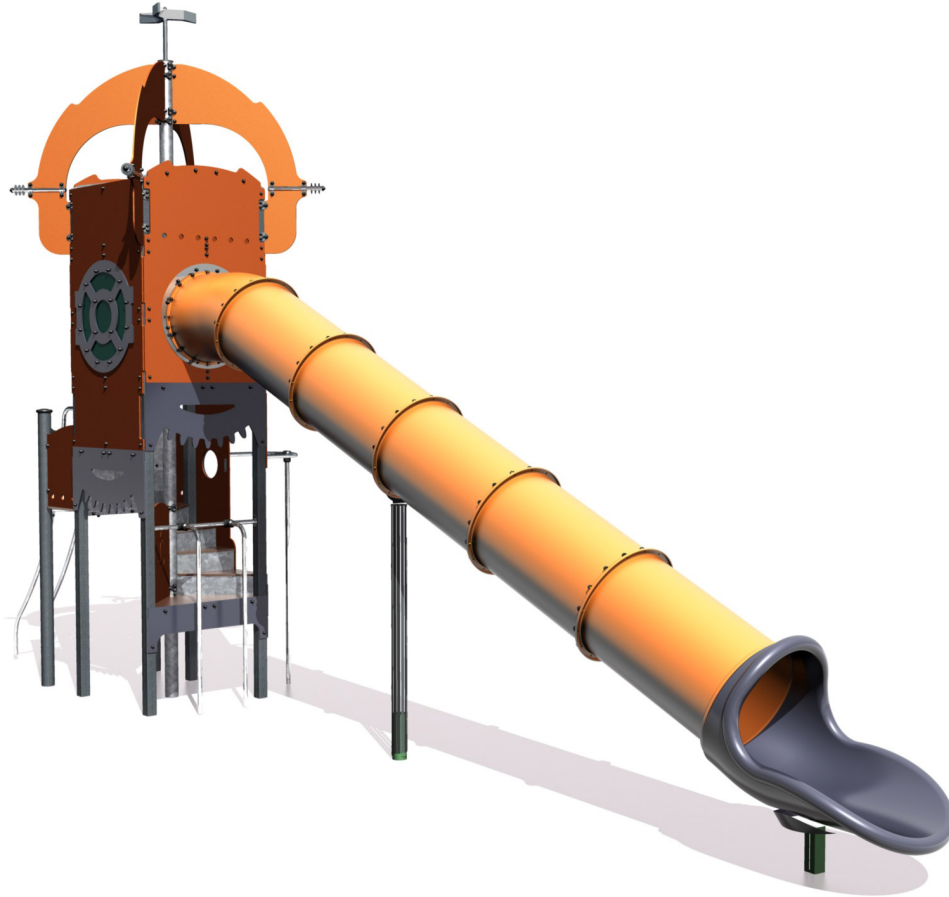
15



1,77m



1 = 11,75m 2 = 2,3m 3 = 6,45m



Play value : 7

role play



x1

sliding



x2

meeting



x1

hiding



x1

taking shelter

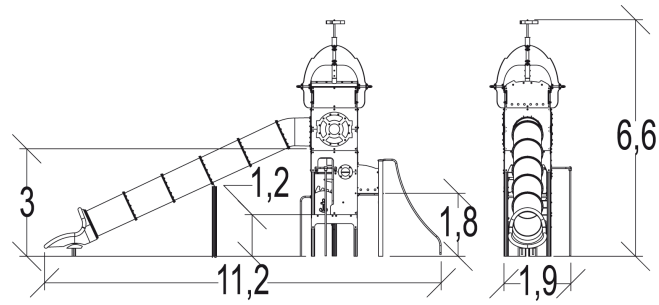


x1

climbing



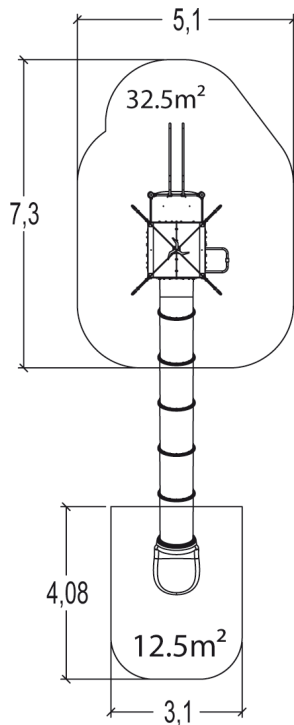
x1





Installation of equipment

Impact area =

— Impact area
 - - - Free space



		
1	0,6m	4m ²
2	0,97m	9,5m ²
3	1m	12m ²
4	1,17m	7m ²
5	1,77m	12m ²



4



99h00



2.7m³



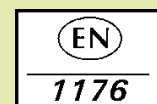
44.5m²



1085kg



41kg



Proludic

2016-01-08