



3+



20



1,7m



1 = 5,5m 2 = 4,81m 3 = 2,8m



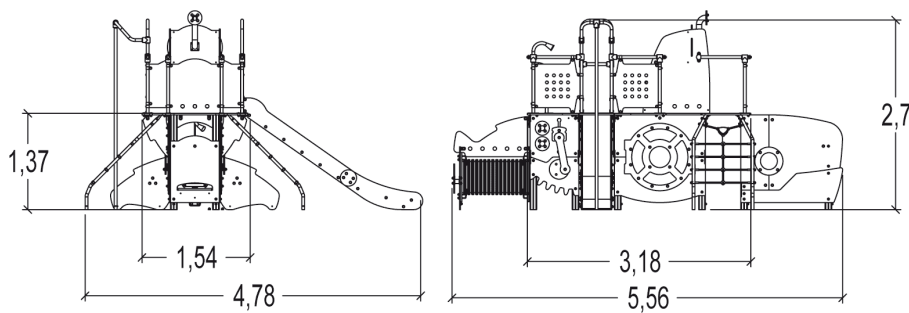
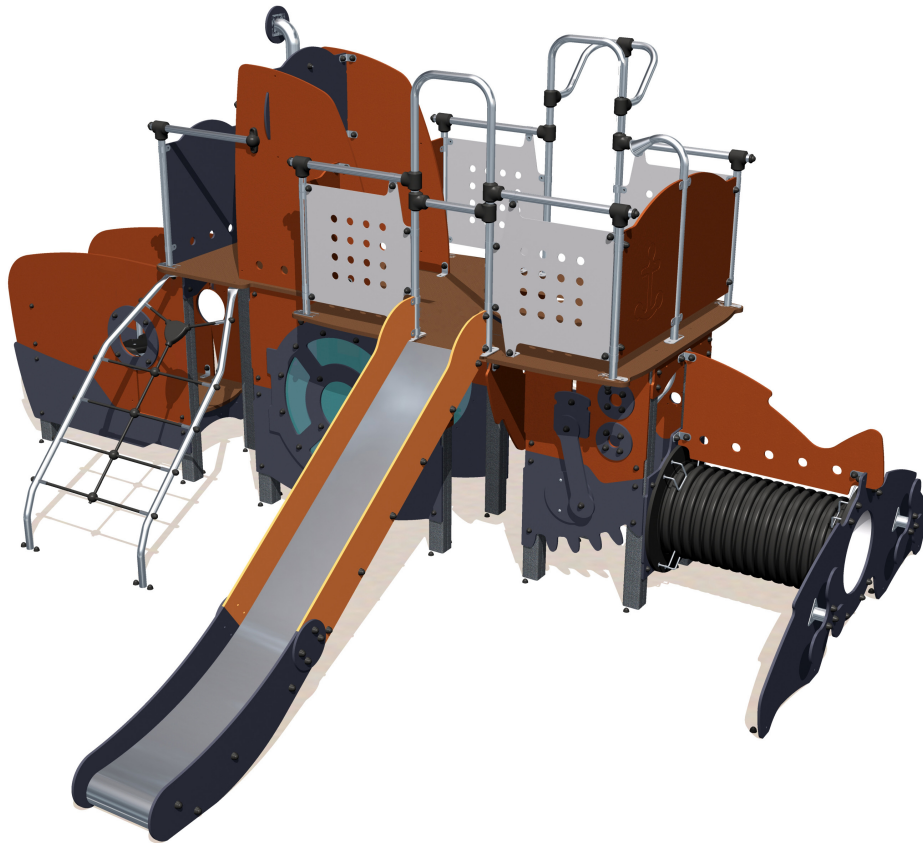
Motor disability



Sensorial disabilities



Learning disabilities



Play value :

14

role play



x1

sliding



x3

meeting



x1

resting



x1

handling



x1

crawling



x1

hiding



x1

thinking



x1

sound stimulation



x1

visual stimulation

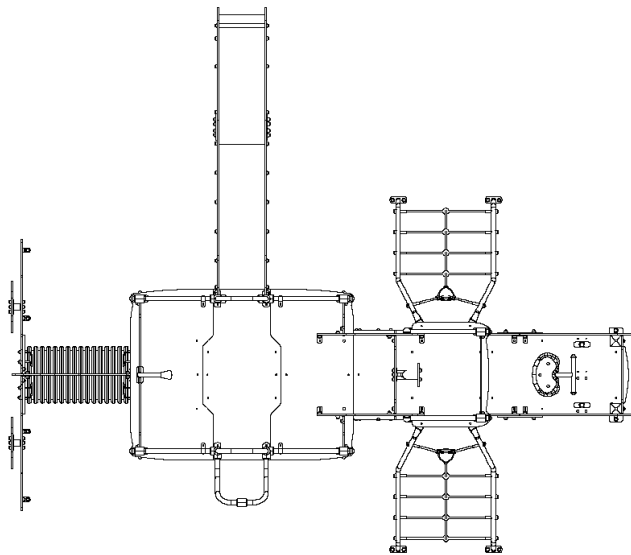


x1

climbing



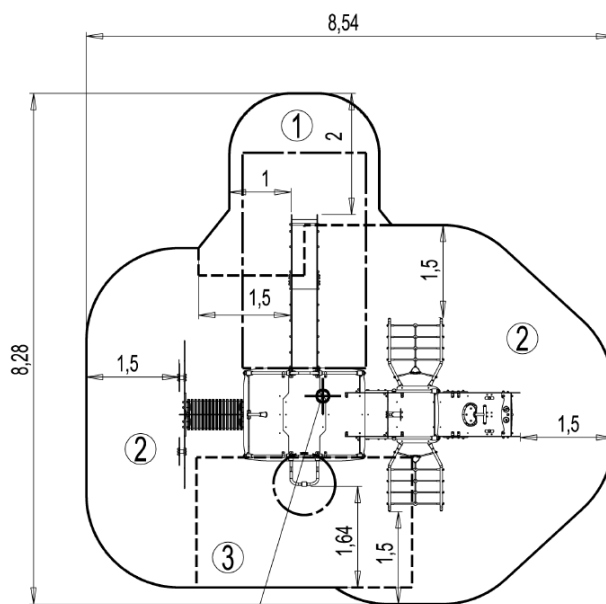
x2



Installation of equipment

Impact area =

- Impact area
- Free space



Point de Référence
Setting Out Point
Punto de referencia
Bezugspunkt



1	1m	6,5m ²
2	1,37m	36,5m ²
3	1,7m	7,5m ²



2



40h00



0.9m³



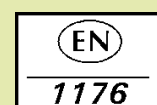
50.5m²



771kg



26kg



Proludic

2010-02-04