



3+



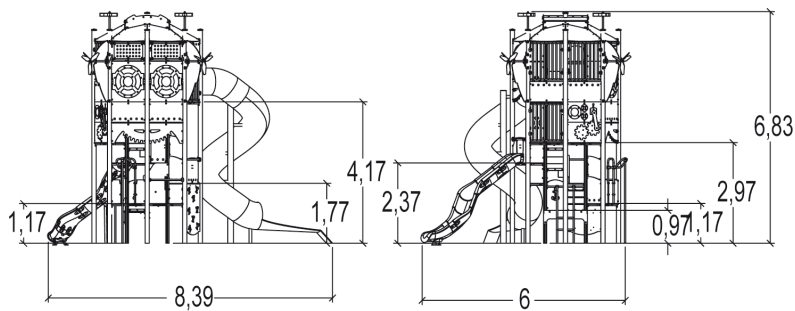
25



2,37m



1 = 6,1m 2 = 8,3m 3 = 6,8m



Play value :

11

climbing



x1

role play



x1

sliding



x3

meeting



x1

handling



x1

hiding



x1

taking shelter



x1

visual stimulation

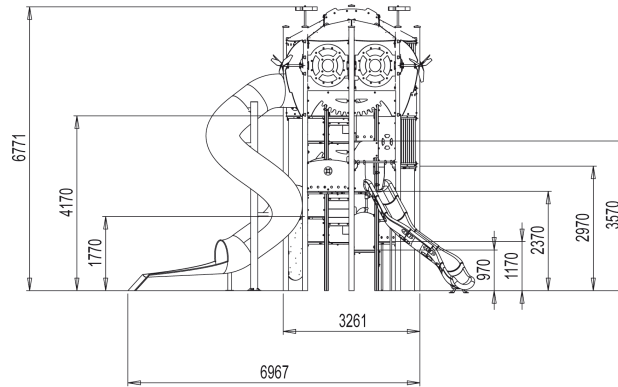


x1

climbing



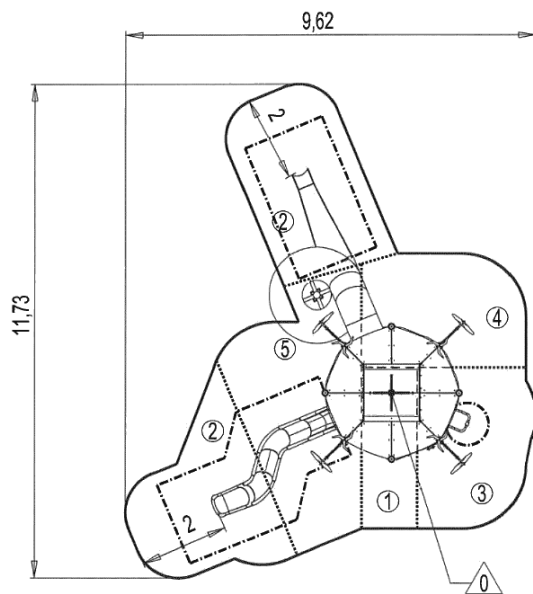
x1



Installation of equipment

Impact area =

-  Impact area
-  Free space



Point de Référence
Setting Out Point
Punto de referencia
Bezugspunkt



1	0,97m	5m ²
2	1m	23m ²
3	1,17m	9,5m ²
4	1,77m	10m ²
5	2,37m	16m ²



4



99h00



2.7m³



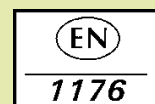
63.5m²



2857kg



600kg



Proludic

2010-02-04