



2+



25



1,8m



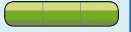
1 = 6,1m 2 = 3,9m 3 = 3,1m



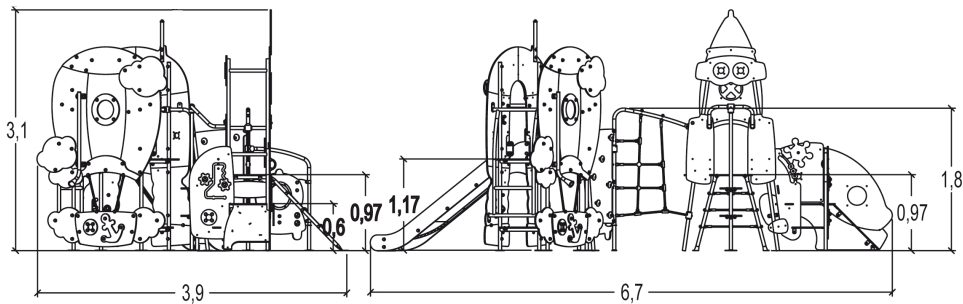
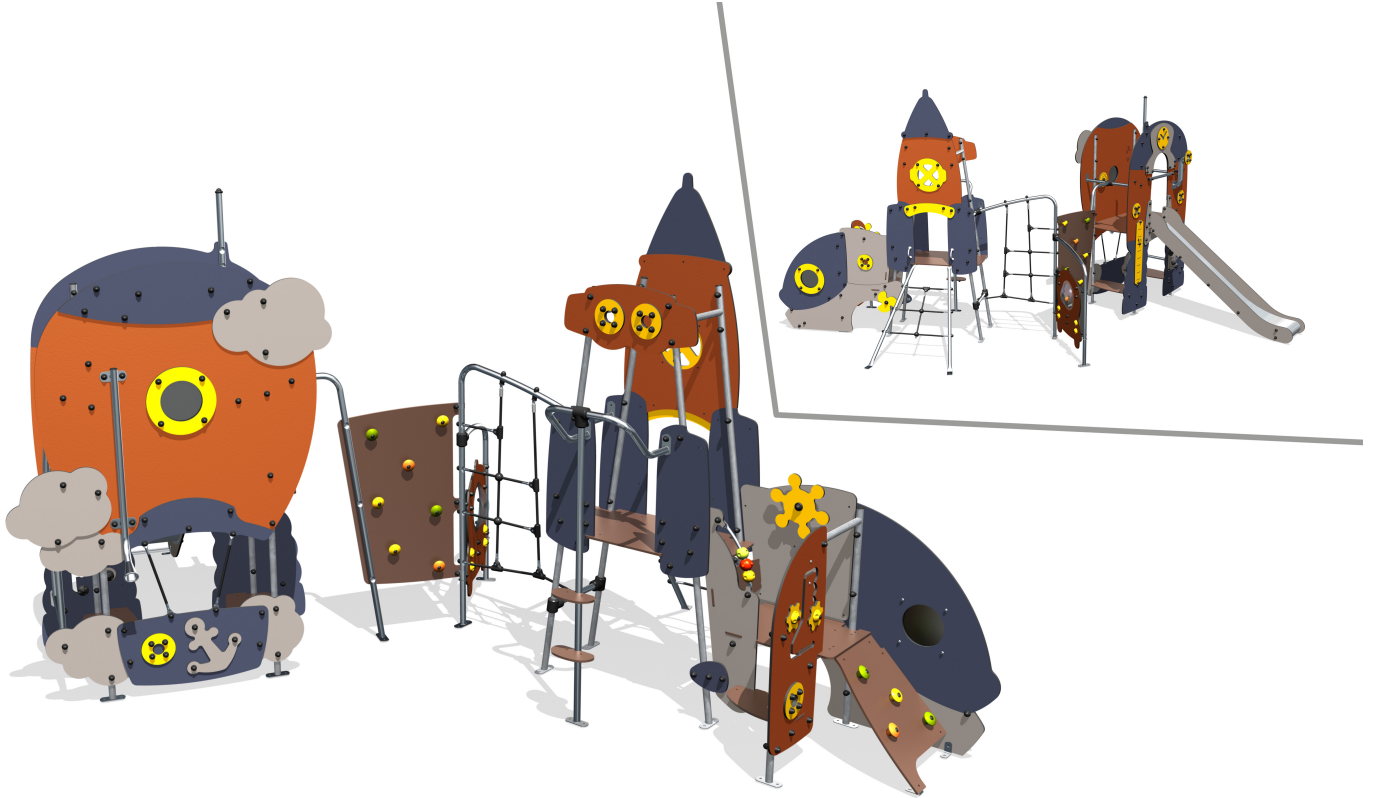
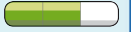
Motor disability



Sensorial disabilities



Learning disabilities



Play value : 25

climbing



x2

role play



x4

sliding



x1

meeting



x3

resting



x1

handling



x2

hiding



x1

sound stimulation



x1

tactile stimulation



x2

visual stimulation

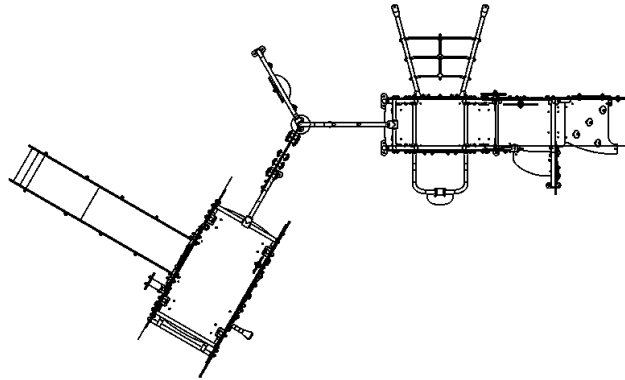


x3

climbing





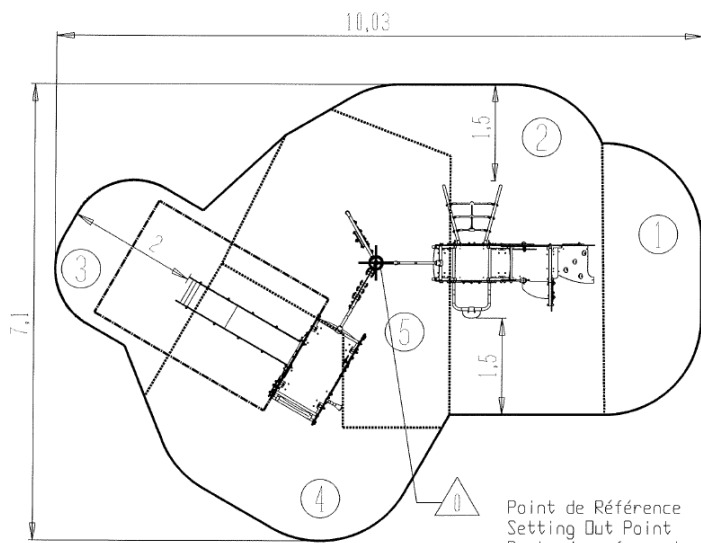
x5





Installation of equipment

Impact area =

-  Impact area
-  Free space



Point de Référence
Setting Out Point
Punto de referencia
Bezugspunkt
Referentiepunt

		
1	0,6m	5,5m ²
2	0,97m	13,5m ²
3	1m	6m ²
4	1,17m	11m ²
5	1,8m	12m ²



2



16h00



0.6m³



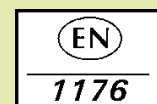
48m²



516kg



17kg



Proludic

2014-10-14