



2+



16



1,8m



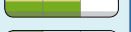
1 = 3,1m 2 = 2,6m 3 = 2,9m



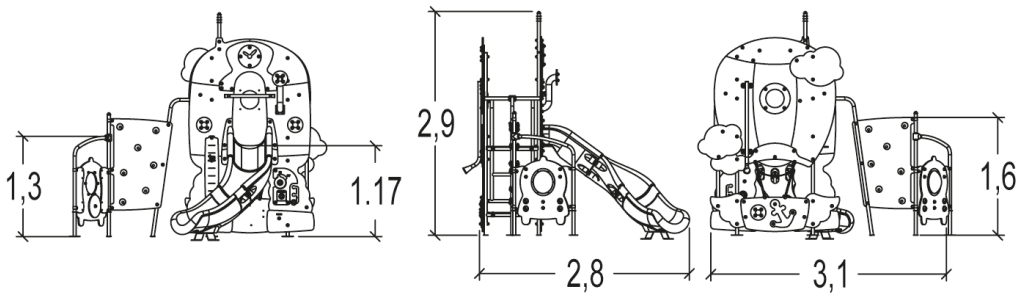
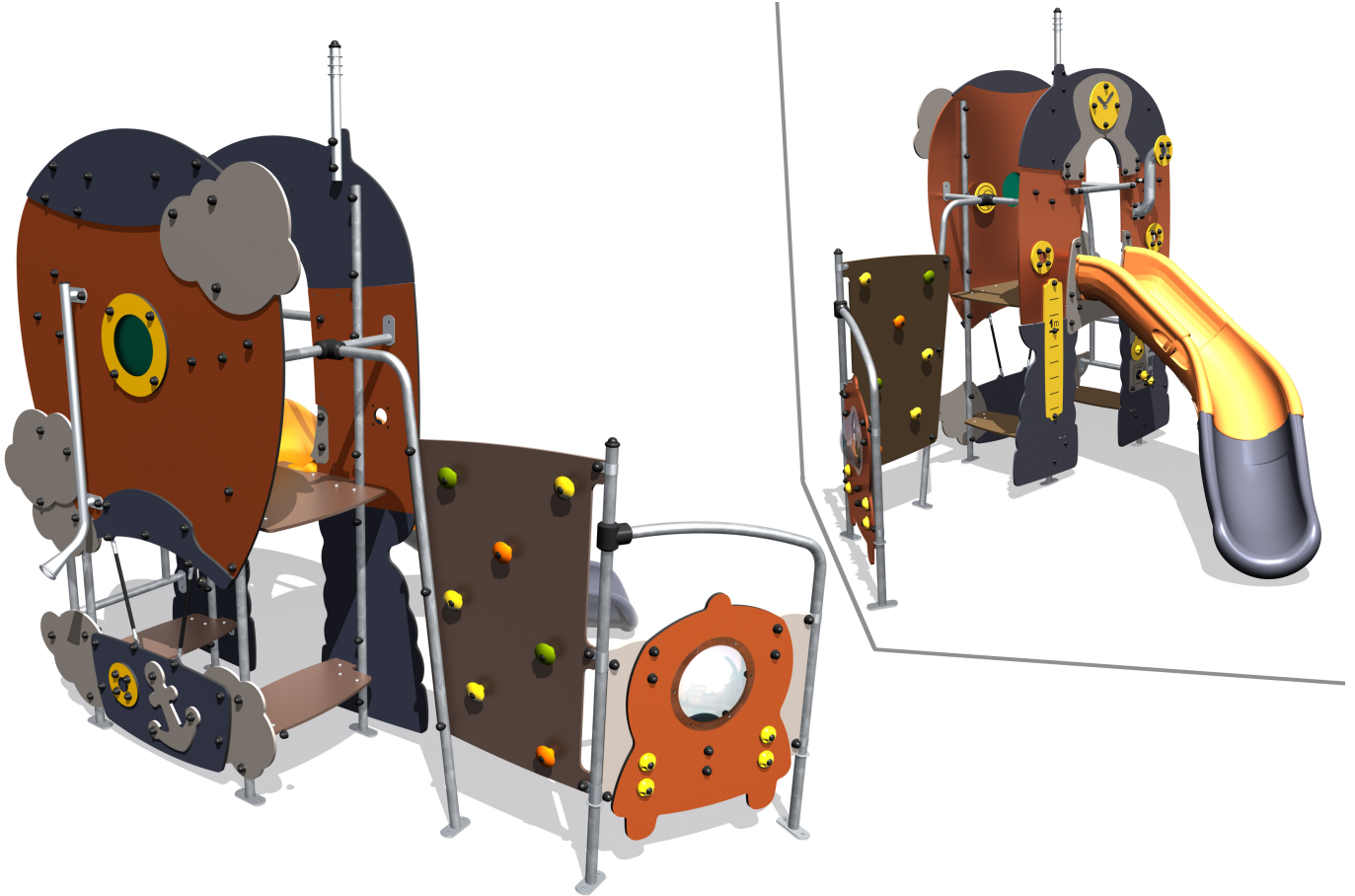
Motor disability



Sensorial disabilities



Learning disabilities



Play value :

14

climbing



x1

role play



x2

sliding



x1

meeting



x2

resting



x1

handling



x1

hiding



x1

sound stimulation



x1

tactile stimulation



x1

visual stimulation

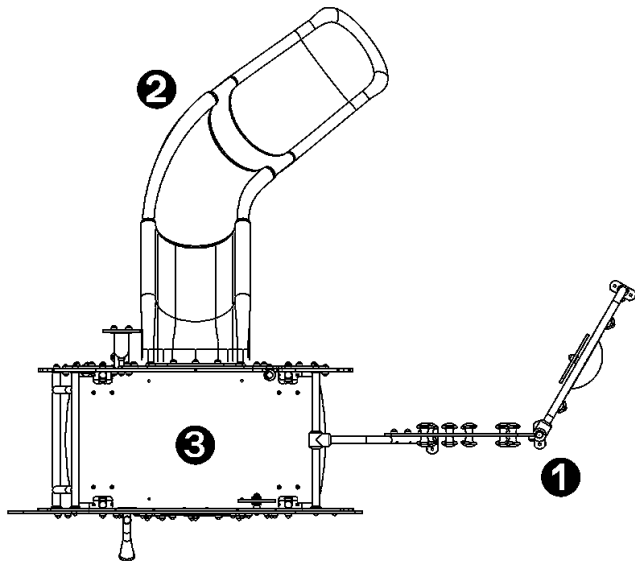


x2

climbing



x1

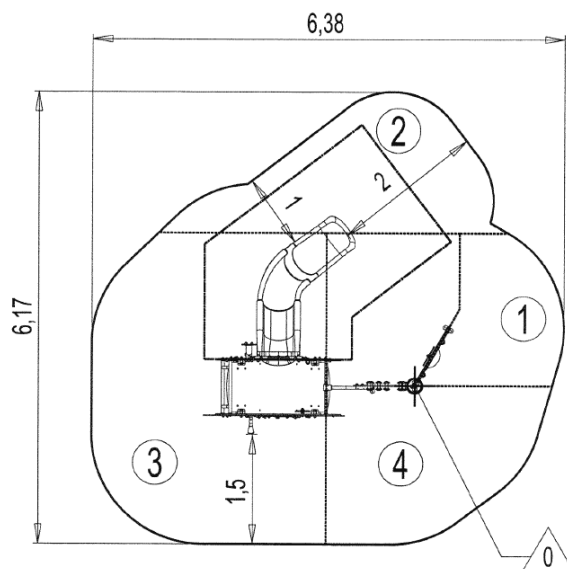


- ❶ Cockpit panel
- ❷ Polyethylene slide Ht : 117cm
- ❸ Platform Ht : 1.17m-1.8m

## Installation of equipment

Impact area =

- Impact area
- Free space



Point de Référence  
Setting Out Point  
Punto de referencia  
Bezugspunkt  
Referentiepunt

1	0,6m	3m <sup>2</sup>
2	1m	5,5m <sup>2</sup>
3	1,17m	12,5m <sup>2</sup>
4	1,8m	9m <sup>2</sup>



2



08h00



0.3m<sup>3</sup>



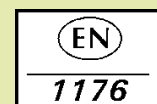
30m<sup>2</sup>



329kg



20kg



*Proludic*

2014-01-07