



3+



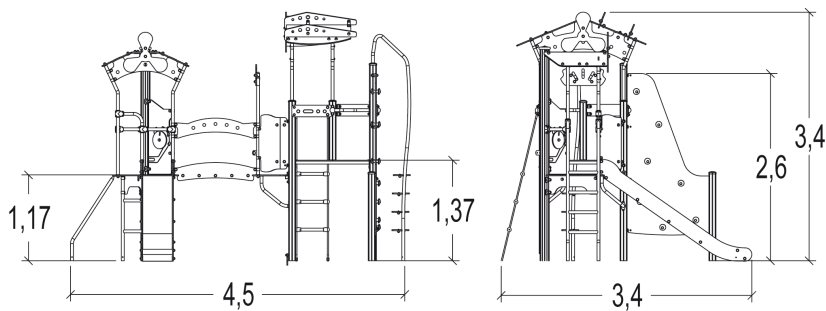
22



2,6m



1 = 4,48m 2 = 3,35m 3 = 3,22m



Play value : 12

climbing



x1

role play



x1

sliding



x1

meeting



x2

handling



x1

taking shelter



x2

climbing

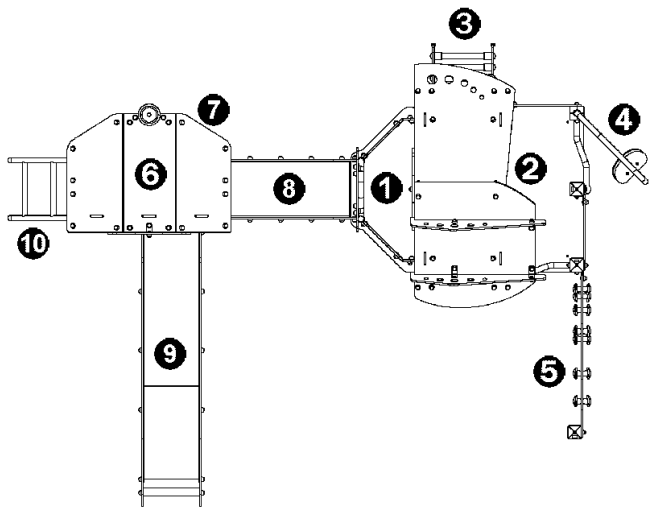


x3

getting across



x1



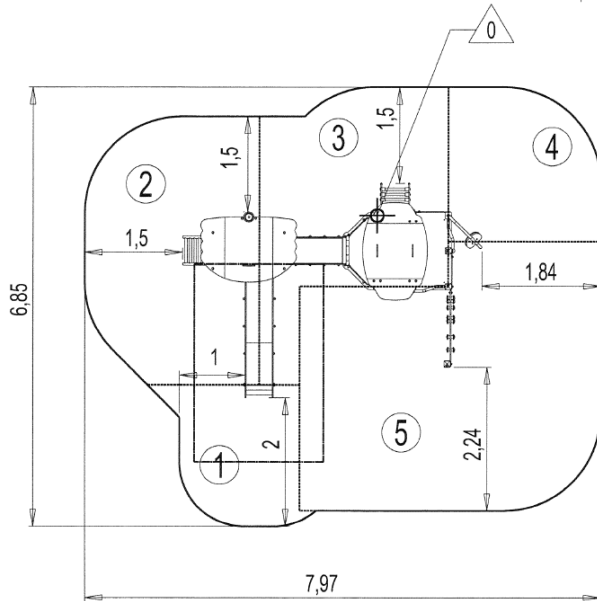
- ① Connecting balcony
- ② Square platform
- ③ Rope ladder H: 1.37m
- ④ Coconut climber
- ⑤ Climbing wall
- ⑥ Themed tower
- ⑦ Garde-corps éléments
- ⑧ Open bridge
- ⑨ Slide
- ⑩ Inclined ladder
- ⑪ Counter panel

## Installation of equipment

Impact area =

- Impact area
- Free space

Point de Référence  
Setting Out Point  
Punto de referencia  
Bezugspunkt  
Referentiepunt



1	1m	4m <sup>2</sup>
2	1,17m	10,5m <sup>2</sup>
3	1,37m	10m <sup>2</sup>
4	2m	5,5m <sup>2</sup>
5	2,6m	17,5m <sup>2</sup>



2



21h00



0.4m<sup>3</sup>



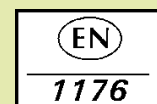
47.5m<sup>2</sup>



510kg



33kg



*Proludic*

2015-02-17