



3+



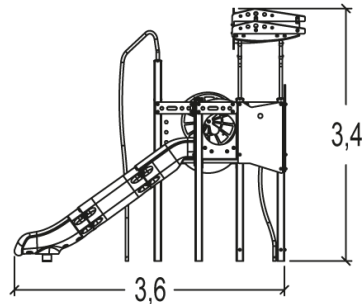
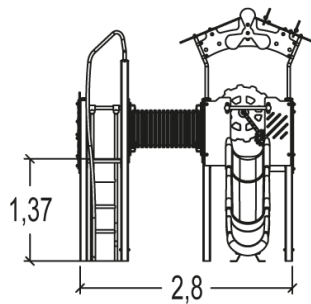
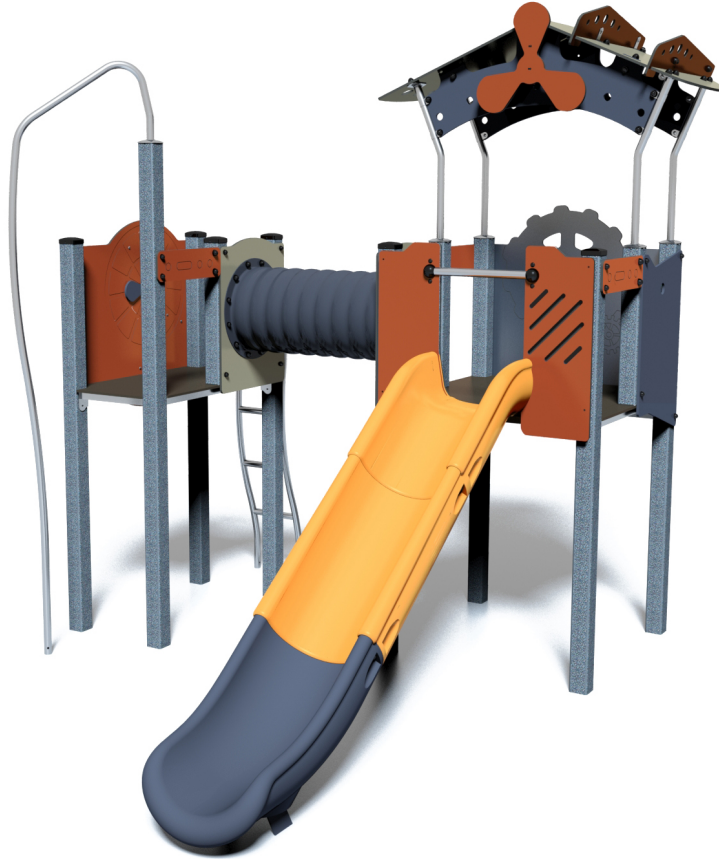
15



2m



1 = 2,85m 2 = 3,74m 3 = 3,22m



Play value : 9

sliding



x2

meeting



x2

crawling



x1

hiding



x1

taking shelter



x1

tactile stimulation

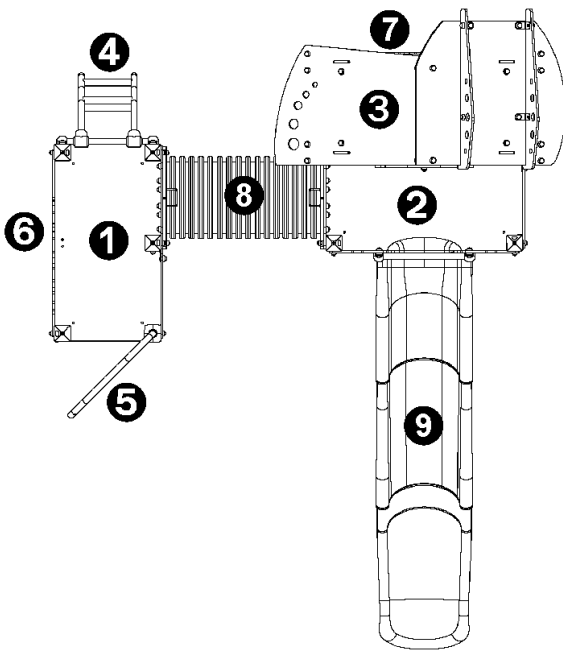


x1

climbing



x1

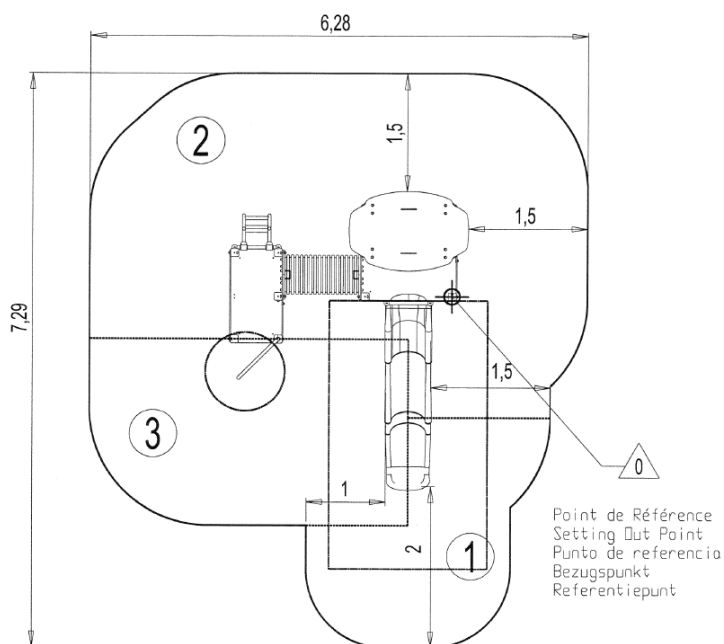


- 1 Rectangular platform
- 2 Square platform
- 3 Themed roof
- 4 Curved ladder
- 5 Fireman's pole H: 1.37m
- 6 Propeller fencing
- 7 Gears fencing
- 8 Tunnel
- 9 Kayak slide

## Installation of equipment

Impact area =

- Impact area
- Free space



1	1m	6m <sup>2</sup>
2	1,37m	20,5m <sup>2</sup>
3	2m	9,5m <sup>2</sup>



2



12h00



0.35m<sup>3</sup>



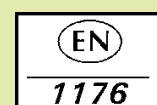
37m<sup>2</sup>



486kg



22kg



*Proludic*

2015-02-24