



3+



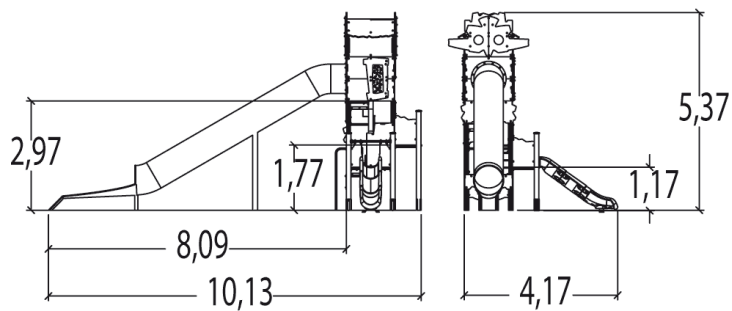
15



1,77m



1 = 10,14m 2 = 4,65m 3 = 5,43m



Play value : 8

climbing



x1

role play



x1

sliding



x2

meeting



x1

hiding



x1

taking shelter

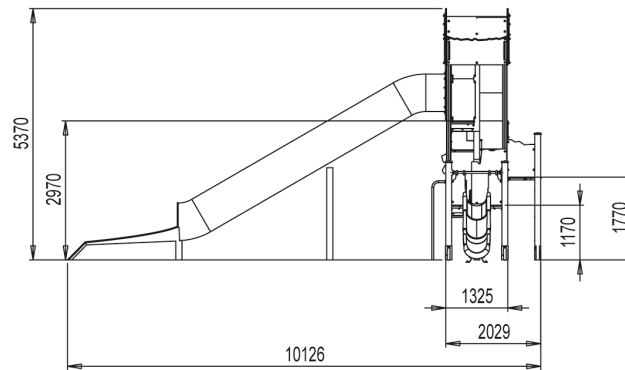


x1

climbing



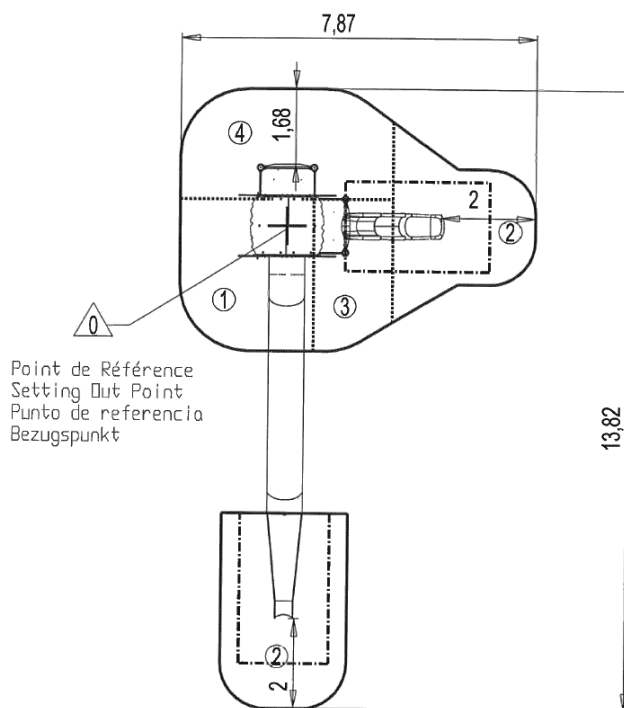
x1





Installation of equipment

Impact area =

-  Impact area
-  Free space



		
1	0,97m	10m ²
2	1m	21m ²
3	1,17m	6m ²
4	1,77m	11m ²



4



99h00



2.7m³



48m²



1686kg



700kg



Proludic

2010-02-04