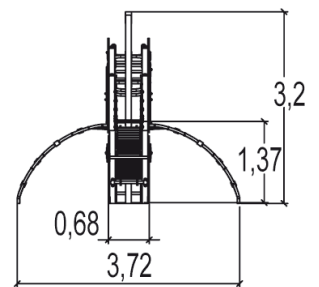
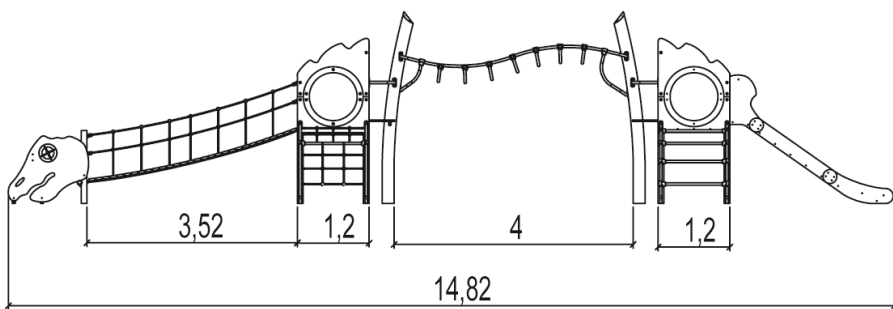
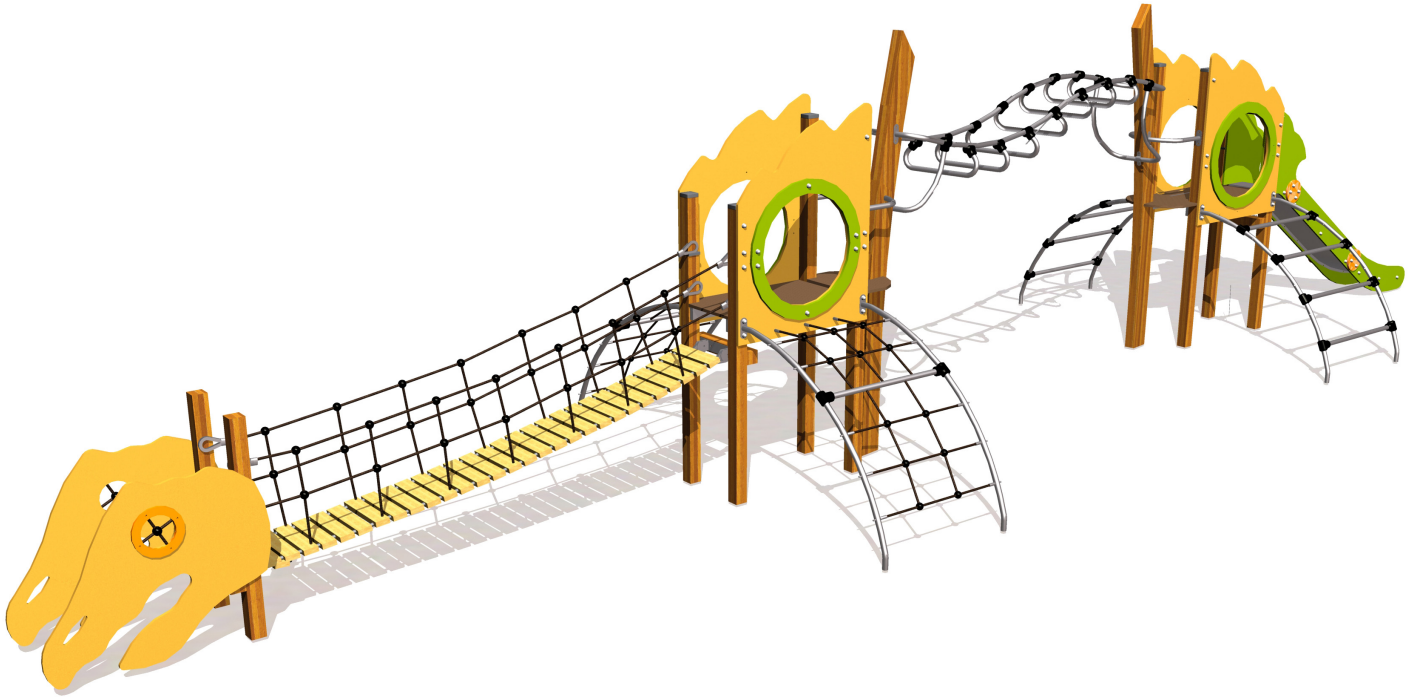


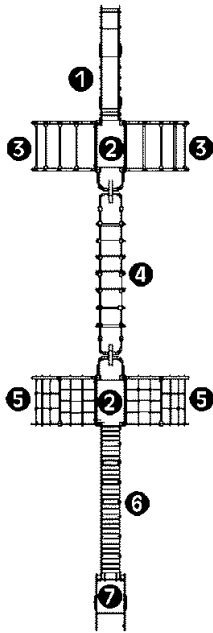
4+ | 
 23 | 
 2,6m | 
 1 = 15m 2 = 3,8m 3 = 3,2m

Motor disability   
  
 Sensorial disabilities   
  
 Learning disabilities



Play value : 6

<p>role play</p> <p>x1</p>	<p>sliding</p> <p>x1</p>	<p>meeting</p> <p>x1</p>	<p>hanging</p> <p>x1</p>	<p>climbing</p> <p>x1</p>	<p>getting across</p> <p>x1</p>
----------------------------	--------------------------	--------------------------	--------------------------	---------------------------	---------------------------------

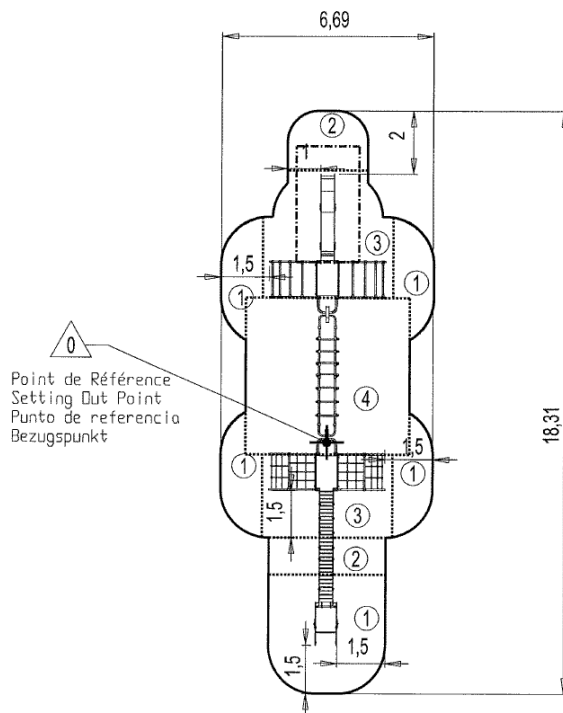


- ① Slide HT: 1.37m
- ② Platforms HT: 1.37m
- ③ Arched ladder
- ④ Acrobranch
- ⑤ Incline net HT: 1.37m
- ⑥ Flexible bridge
- ⑦ Crow's nest

## Installation of equipment

Impact area =

- Impact area
- Free space



1	0,60m	27,5m <sup>2</sup>
2	1,00m	9m <sup>2</sup>
3	1,37m	26m <sup>2</sup>
4	2,6m	26m <sup>2</sup>



2



25h00



0.75m<sup>3</sup>



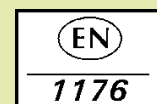
88.5m<sup>2</sup>



739kg



82kg



*Proludic*

2012-12-10