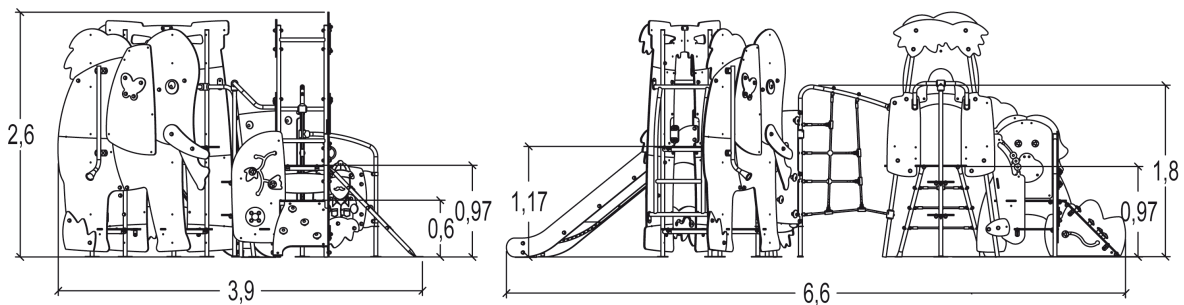


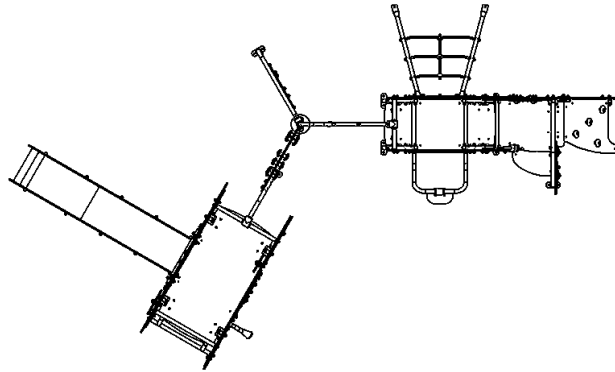
2+ | 
 25 | 
 1,8m | 
 1 = 6m 2 = 3,8m 3 = 2,7m

Motor disability    
 Sensorial disabilities    
 Learning disabilities



Play value : 25

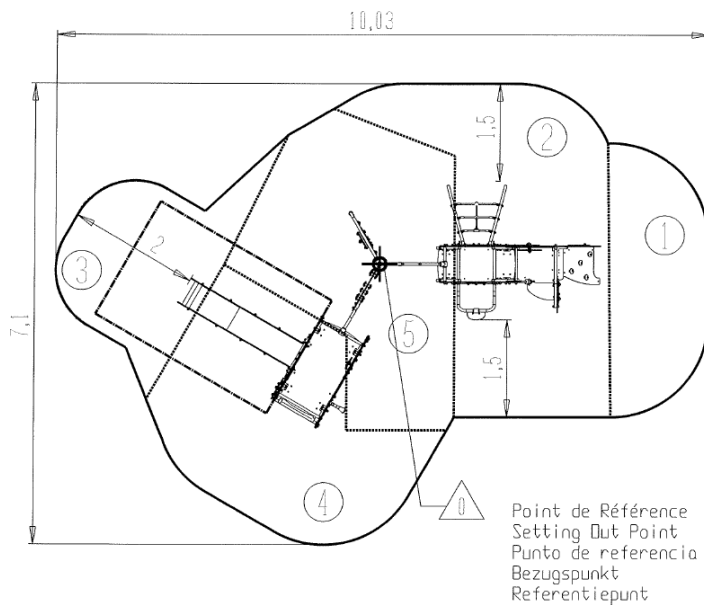
<p>climbing</p> <p>x2</p>	<p>role play</p> <p>x4</p>	<p>sliding</p> <p>x1</p>	<p>meeting</p> <p>x3</p>	<p>resting</p> <p>x1</p>	<p>handling</p> <p>x2</p>	<p>hiding</p> <p>x1</p>	<p>sound stimulation</p> <p>x1</p>
<p>tactile stimulation</p> <p>x2</p>	<p>visual stimulation</p> <p>x3</p>	<p>climbing</p> <p>x5</p>					





## Installation of equipment

Impact area =

-  Impact area
-  Free space



		
1	0,6m	5,5m <sup>2</sup>
2	0,97m	13,5m <sup>2</sup>
3	1m	6m <sup>2</sup>
4	1,17m	11m <sup>2</sup>
5	1,8m	12m <sup>2</sup>



2



16h00



0.6m<sup>3</sup>



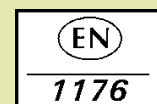
48m<sup>2</sup>



496kg



17kg



*Proludic*

2014-10-14