



3+



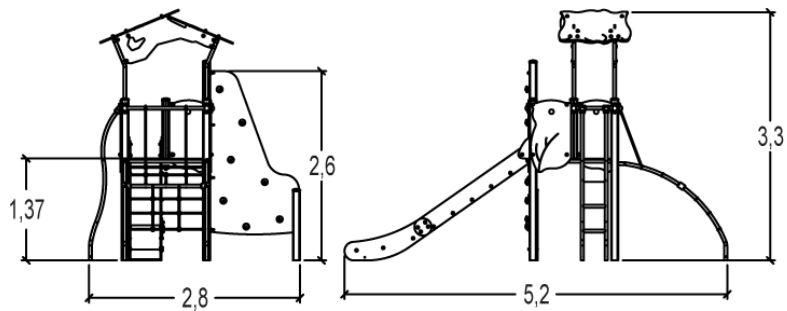
15



2,6m



1 = 2,83m 2 = 5,15m 3 = 3,22m



Play value : 14

climbing



x2

role play



x1

sliding



x2

meeting



x2

handling



x1

taking shelter



x1

thinking



x1

tactile stimulation



x1

visual stimulation

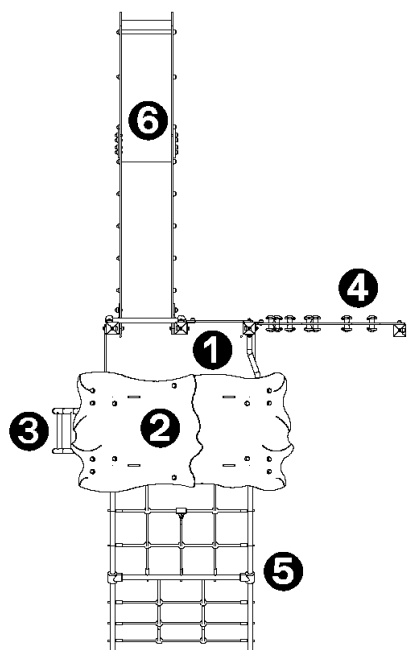


x1

climbing



x2

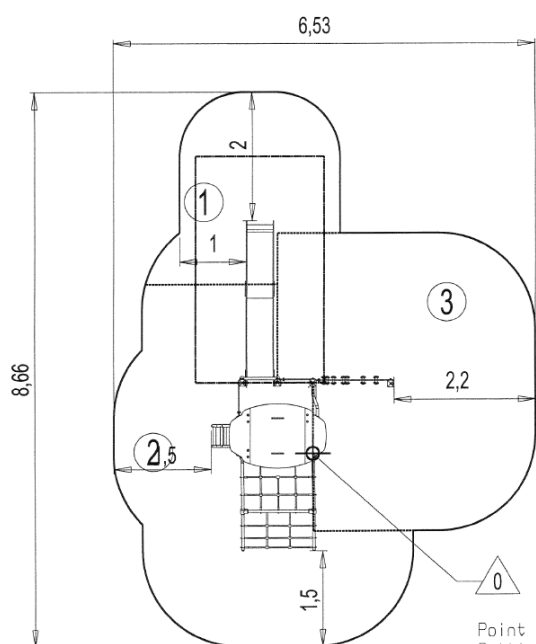


- ① Square platform
- ② Themed roof
- ③ Curved ladder
- ④ Climbing wall
- ⑤ Incline net H: 1.37m
- ⑥ 1.37m slide

## Installation of equipment

Impact area =

- Impact area
- Free space



Point de Référence  
Setting Out Point  
Punto de referencia  
Bezugspunkt  
Referentiepunt



1	1m	7m <sup>2</sup>
2	1,37m	17m <sup>2</sup>
3	2,6m	17m <sup>2</sup>



2



10h00



0.3m<sup>3</sup>



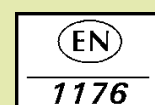
41m<sup>2</sup>



365kg



33kg



*Proludic*

2015-02-24