



3+



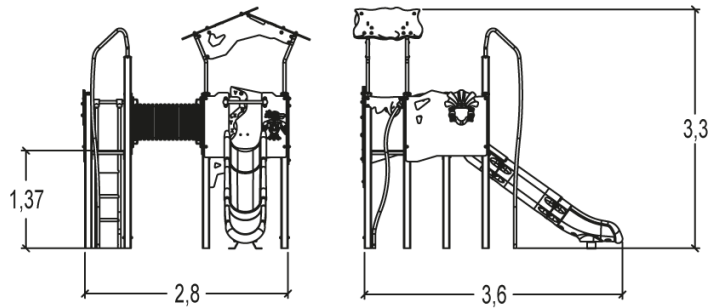
15



2m



1 = 2,85m 2 = 3,74m 3 = 3,22m



Play value : 10

role play



x1

sliding



x2

meeting



x2

crawling



x1

hiding



x1

taking shelter



x1

tactile stimulation

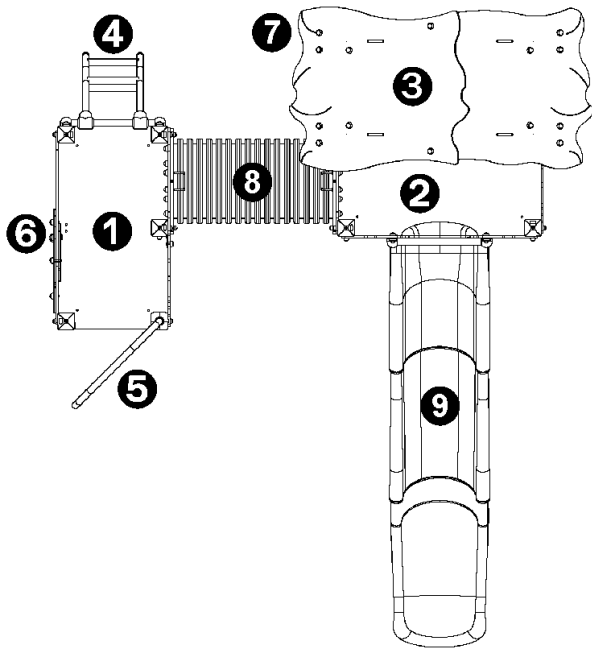


x1

climbing



x1

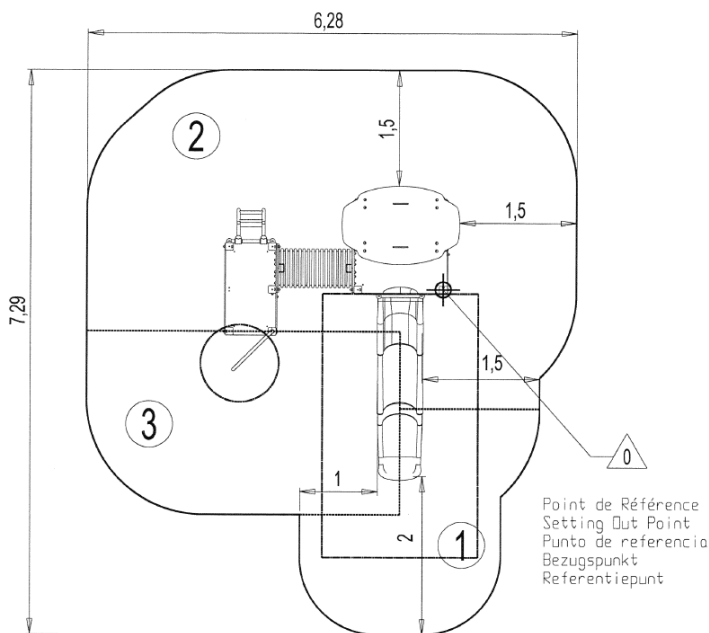


- ① Rectangular platform
- ② Square platform
- ③ Themed roof
- ④ Curved ladder
- ⑤ Fireman's pole H: 1.37m
- ⑥ Alphabet snake fencing
- ⑦ Mask fencing
- ⑧ Tunnel
- ⑨ Kayak slide

Installation of equipment

Impact area =

- Impact area
- Free space



1	1m	6m ²
2	1,37m	20,5m ²
3	2m	9,5m ²



2



12h00



0.35m³



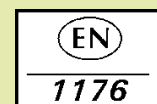
35.5m²



471kg



22kg



Proludic

2015-02-24