



2+



30



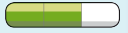
1,8m



1 = 5,2m 2 = 4,8m 3 = 3m



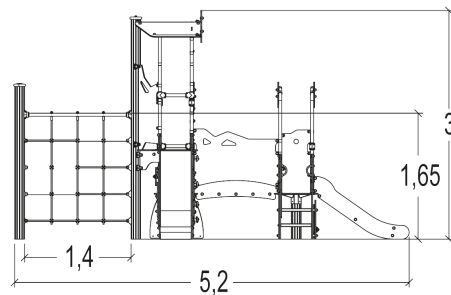
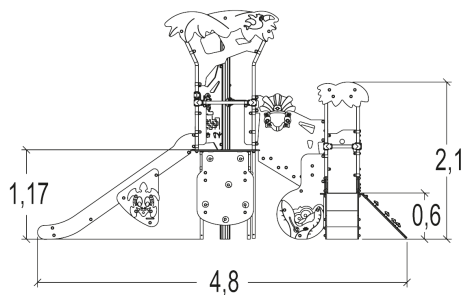
Motor disability



Sensorial disabilities



Learning disabilities



Play value :

21

climbing



x2

role play



x2

sliding



x2

meeting



x2

resting



x1

handling



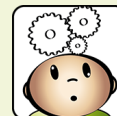
x2

taking shelter



x1

thinking



x1

tactile stimulation



x2

climbing

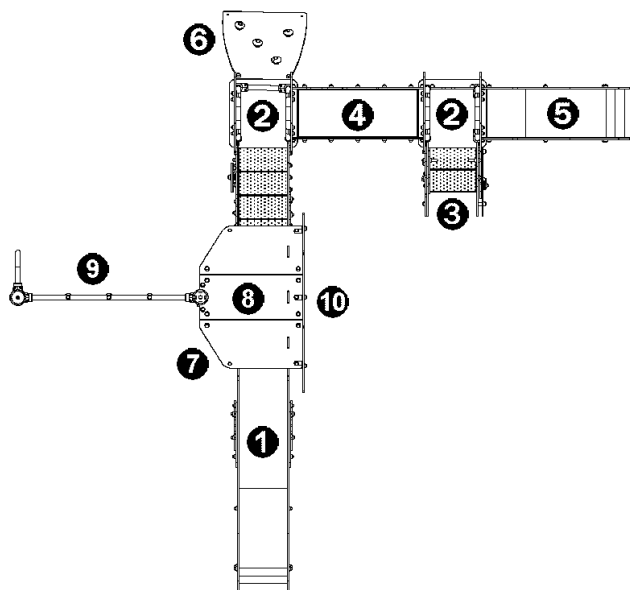


x4

getting across



x2

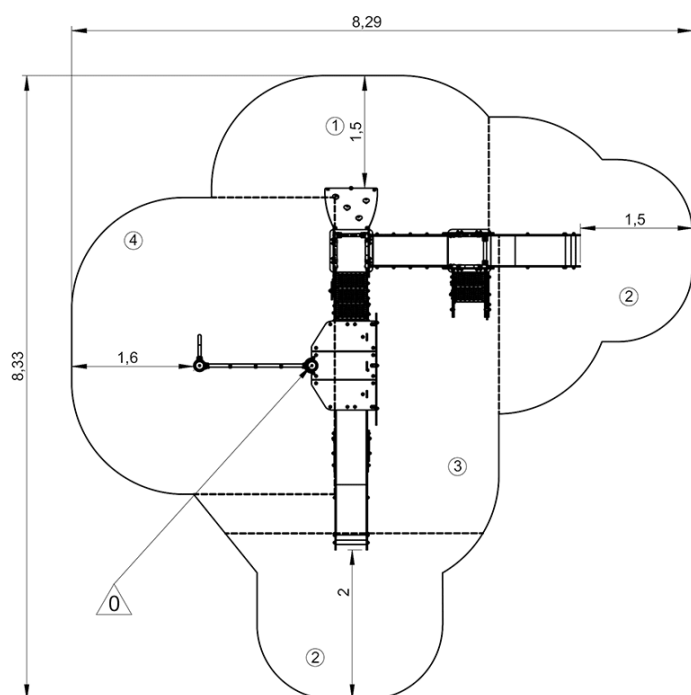


- ① Slide
- ② Themed square platform
- ③ Stairway
- ④ Intermediate staircase
- ⑤ Slide
- ⑥ Slope
- ⑦ Maze panel
- ⑧ Themed tower
- ⑨ Climbing net
- ⑩ Climbing wall

Installation of equipment

Impact area =

- Impact area
- Free space



1	0,6m	7m ²
2	1m	13m ²
3	1,17m	9,5m ²
4	1,8m	12m ²



2



16h00



0m³



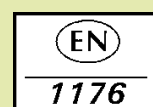
41.5m²



447kg



33kg



Proludic

2014-12-19