



3+



10



1,3m



1 = 2,6m 2 = 2,51m 3 = 3,02m



Play value :

6

climbing



x1

role play



x1

meeting

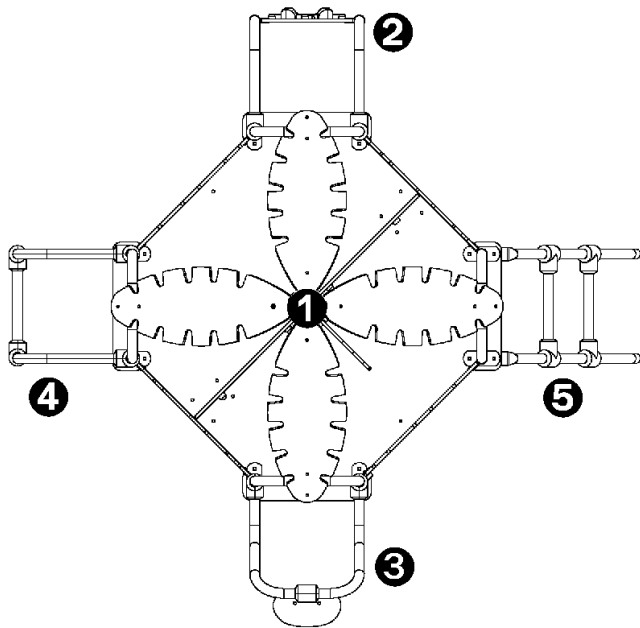


x1

climbing



x3

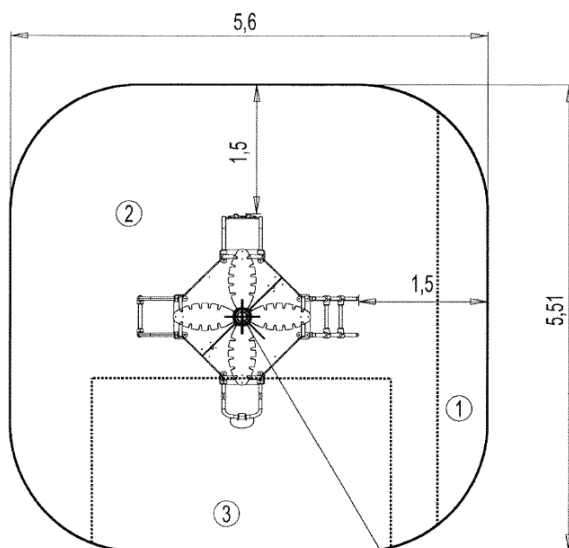


- ❶ Plate-forme Amazonia
- ❷ Look-out
- ❸ Coconut tree mast
- ❹ Inclined ladder
- ❺ Straight ladder

Installation of equipment

Impact area =

- Impact area
- Free space



Point de Référence
Setting Out Point
Punto de referencia
Bezugspunkt



1	0,6m	2,5m ²
2	1,17m	20m ²
3	1,3m	7,5m ²



2



10h00



0.3m³



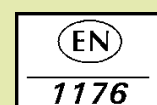
29m²



250kg



35kg



Proludic

2012-08-24