



2-6



4



0,9m



1 = 1,5m 2 = 0,6m 3 = 1,8m



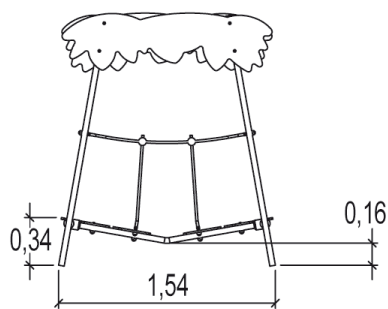
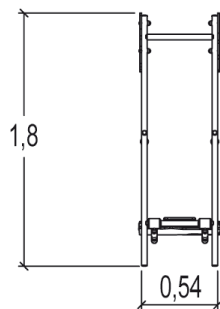
Motor disability



Sensorial disabilities



Learning disabilities



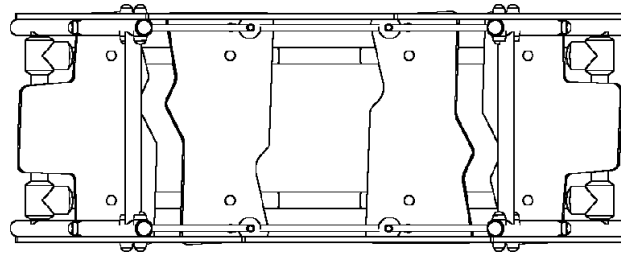
Play value : 2

getting across



meeting

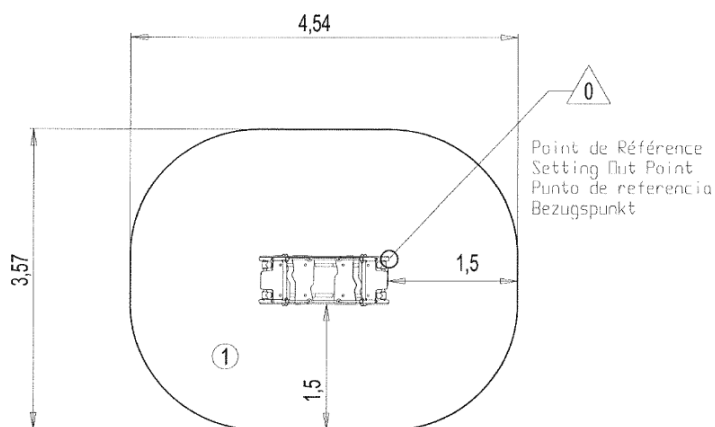






## Installation of equipment

Impact area =

-  Impact area
-  Free space



		
1	0,9m	14,5m <sup>2</sup>



2



01h30



0.11m<sup>3</sup>



14.5m<sup>2</sup>



68kg



11kg



*Proludic*

0000-00-00