



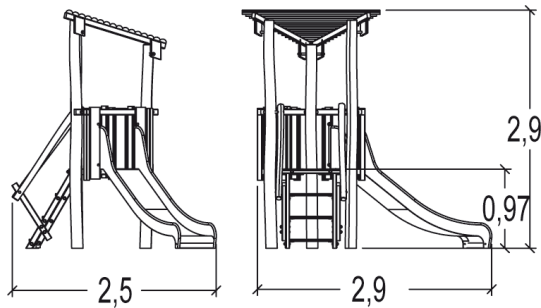
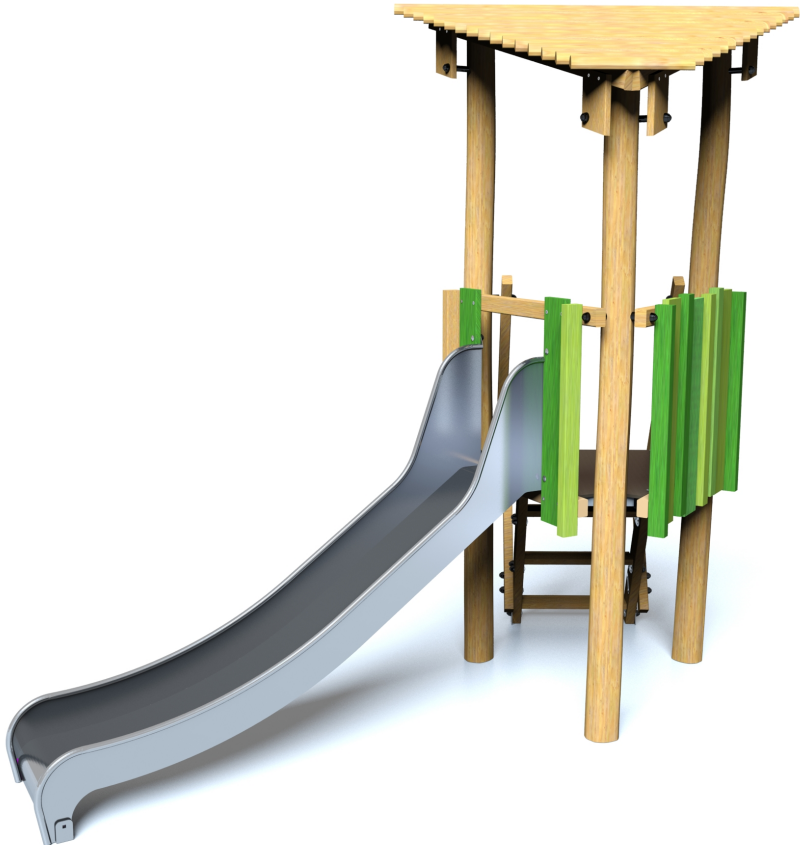




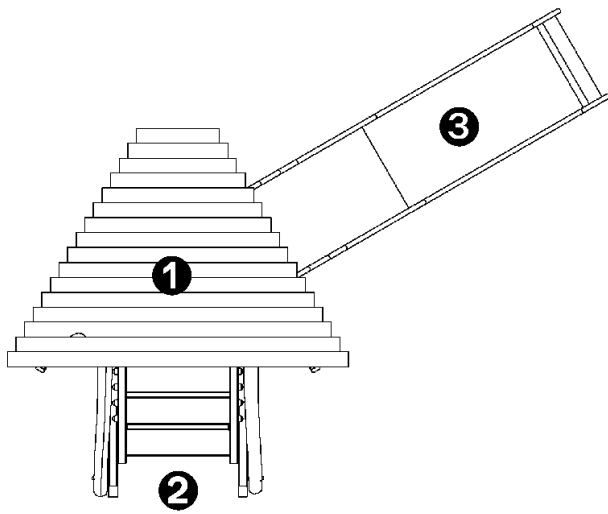
 **2+** | 
  **8** | 
  **1m** | 
  **1 = 2,9m 2 = 2,5m 3 = 2,9m**

 **Motor disability**    
**Sensorial disabilities**    
**Learning disabilities**



Play value : **4**

 **sliding** x1 | 
  **meeting** x1 | 
  **taking shelter** x1 | 
  **climbing** x1

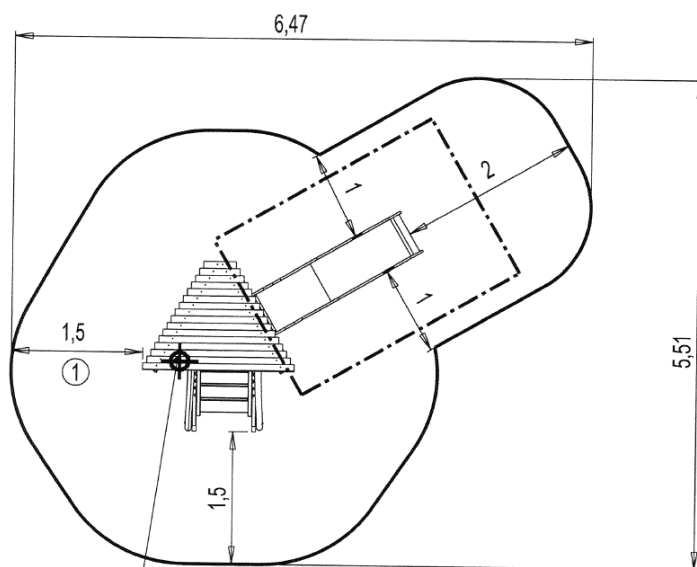


- ① Platform Ht: 0.97m
- ② Stairs
- ③ Slide Ht: 0.97m

## Installation of equipment

Impact area =

- Impact area
- Free space



①  
Point de Référence  
Setting Out Point  
Punto de referencia  
Bezugspunkt  
Referentiepunt

1	1m	24m <sup>2</sup>



2



08h00



0m<sup>3</sup>



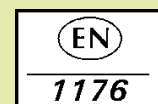
24m<sup>2</sup>



309kg



42kg



*Proludic*

2014-04-14