



0.5+

12

1m

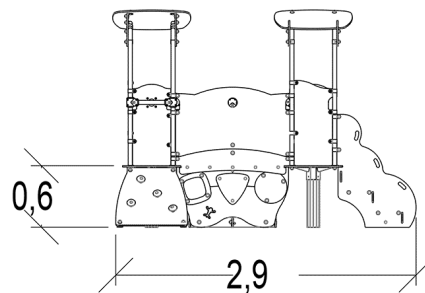
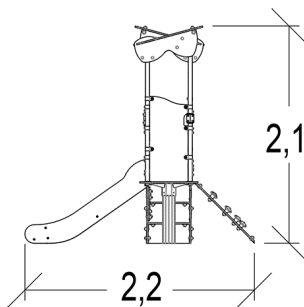
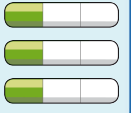
1 = 2,93m 2 = 2,24m 3 = 2,12m



Motor disability

Sensorial disabilities

Learning disabilities



Play value :

14

climbing



x1

role play



x1

sliding



x1

meeting



x1

handling



x1

crawling



x1

hiding



x2

taking shelter



x1

tactile stimulation



x1

visual stimulation



x2

climbing

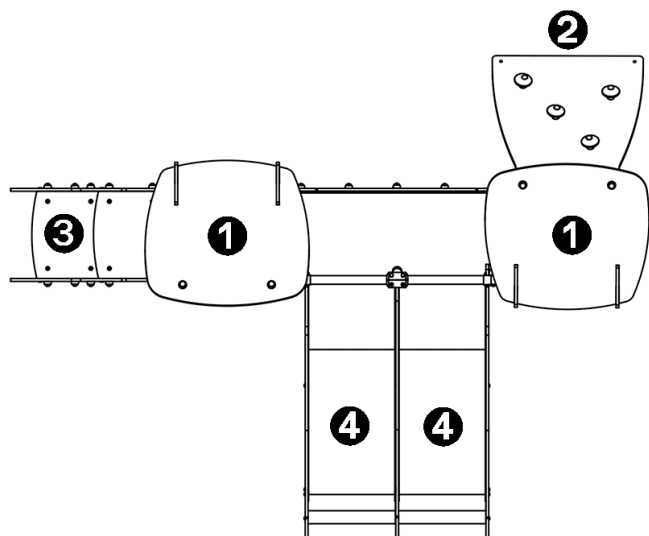


x1

getting across



x1

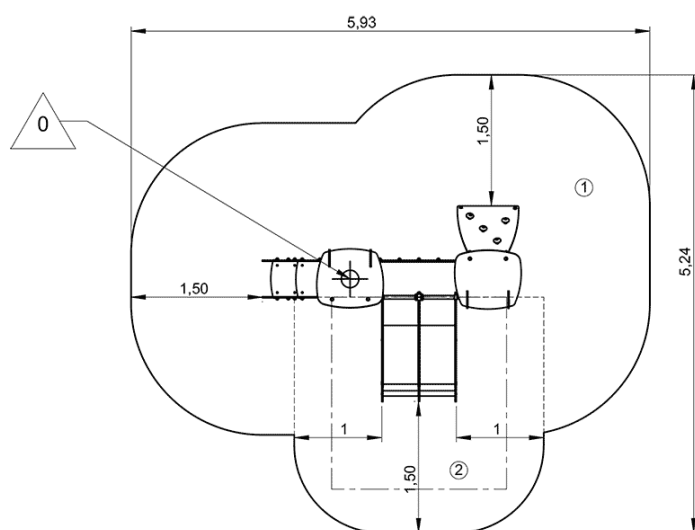




- ① Platform HT: 0.6m
- ② Slope
- ③ ESCALIER DIABOLO PETITE ENFANCE
- ④ Toboggan double

Installation of equipment

Impact area =

-  Impact area
-  Free space



		
1	0,6m	16,5m ²
2	1m	7,5m ²



2



05h00



0.3m³



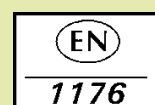
24m²



223kg



14kg



Proludic

0000-00-00