



2+



15



1m



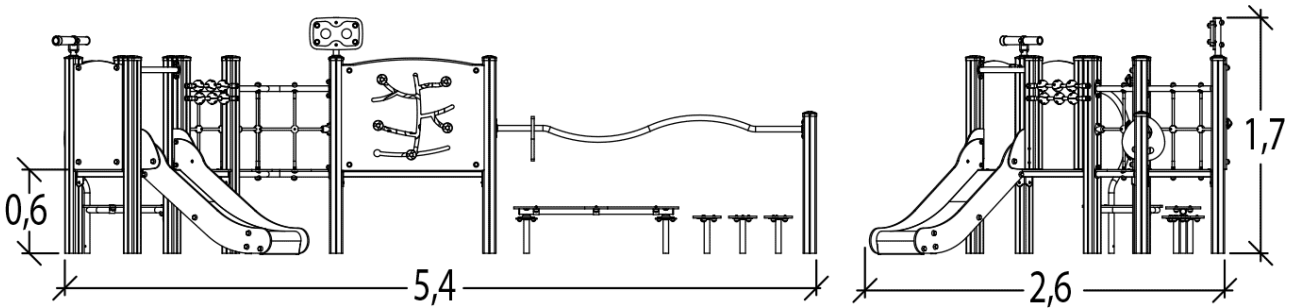
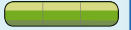
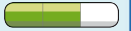
1 = 5,49m 2 = 2,56m 3 = 1,69m



Motor disability

Sensorial disabilities

Learning disabilities



Play value : 16

sliding



x1

meeting



x2

handling



x5

balancing



x1

thinking



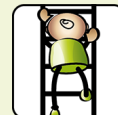
x2

visual stimulation



x2

climbing

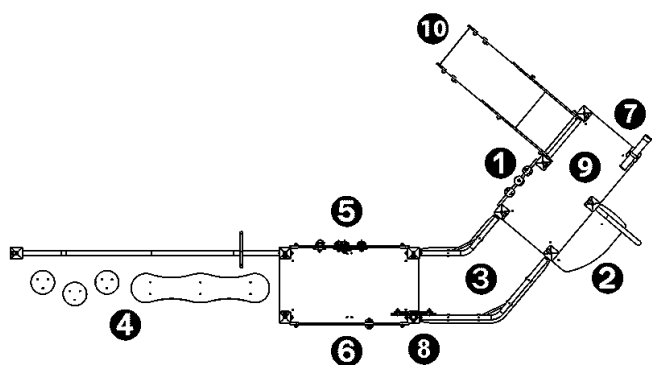


x1

getting across



x2

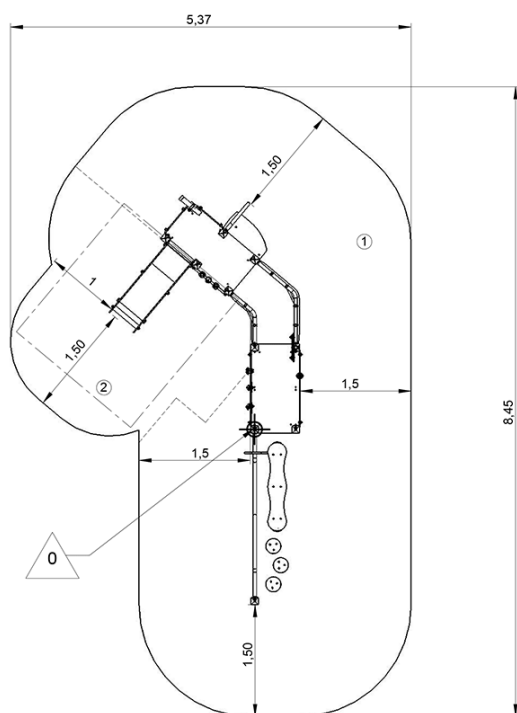


- 1 Abacus
- 2 1 Step Access
- 3 Curved bridge
- 4 Play Trail
- 5 Flower panel
- 6 The Pachinko Play Panel
- 7 Telescope
- 8 Coloured binoculars
- 9 Plateforme HT : 60 cm
- 10 Toboggan HT : 60 cm

Installation of equipment

Impact area =

- Impact area
- Free space



1	0,6m	26,5m ²
2	1m	7,5m ²



2



12h00



0.5m³



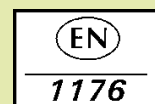
34m²



306kg



17kg



Proludic

0000-00-00