



2-10

13

1m

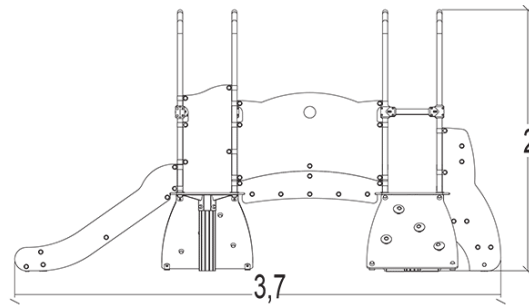
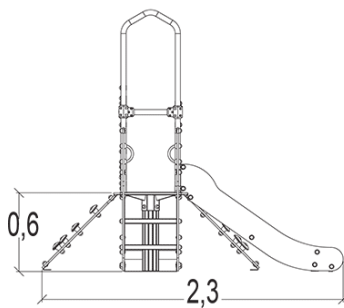
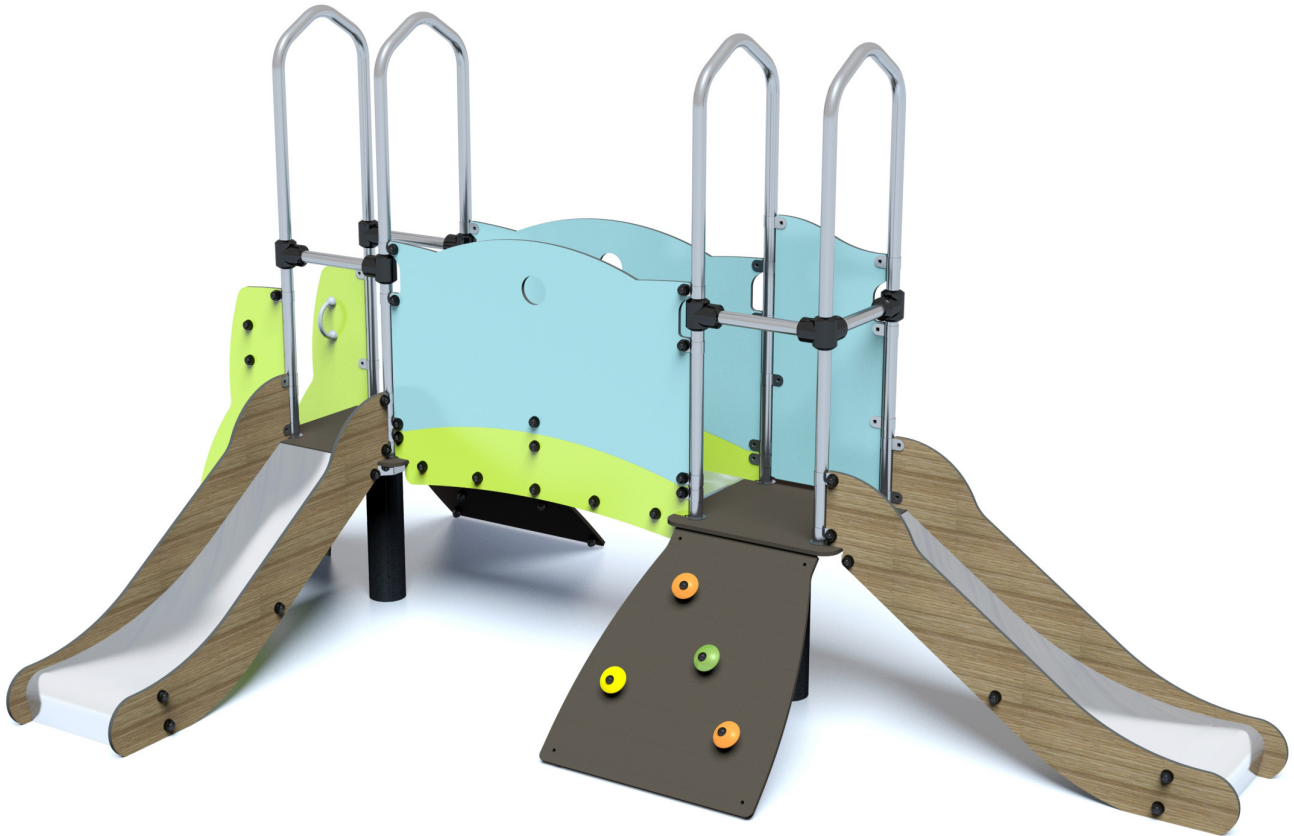
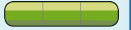
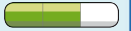
1 = 3,74m 2 = 2,32m 3 = 2m



Motor disability

Sensorial disabilities

Learning disabilities



Play value : 5

climbing



x1

sliding



x1

meeting



x1

climbing

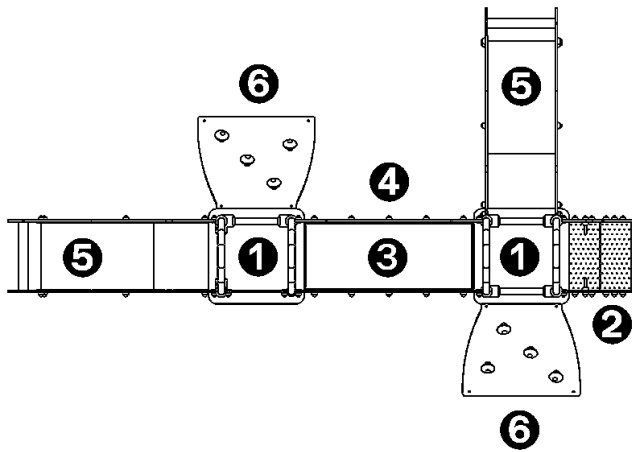


x1

getting across



x1

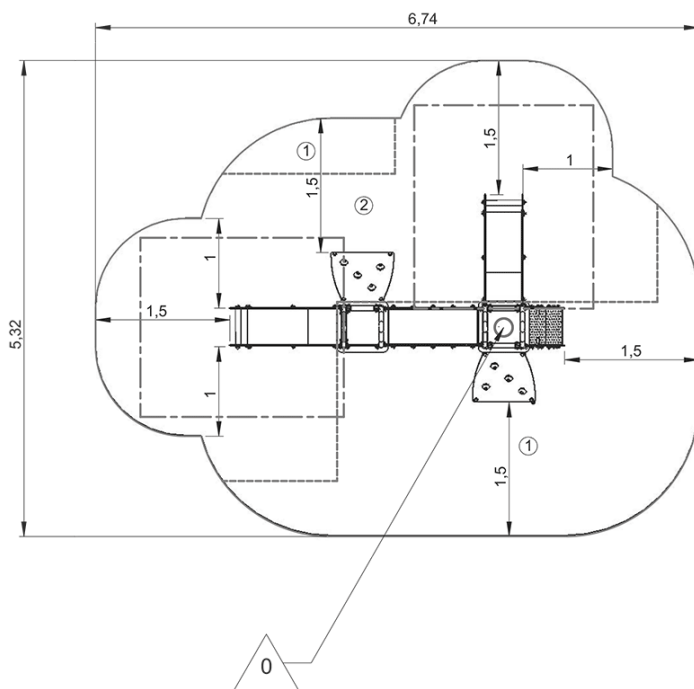


- ① Platform HT: 0.6m
- ② Walkway
- ③ Wall
- ④ Slide HT: 0.6m
- ⑤ Slope

## Installation of equipment

Impact area =

- Impact area
- Free space



1	0,6m	12m <sup>2</sup>
2	1m	15,5m <sup>2</sup>



2



21h00



0.4m<sup>3</sup>



27.5m<sup>2</sup>



170kg



11kg



*Proludic*

0000-00-00