



2-10

13

1m

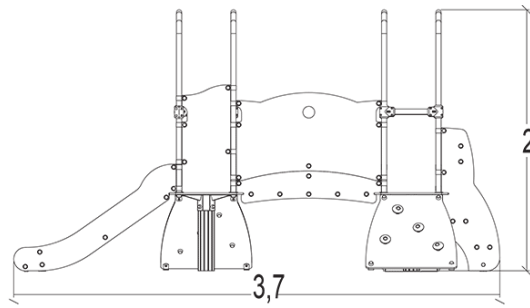
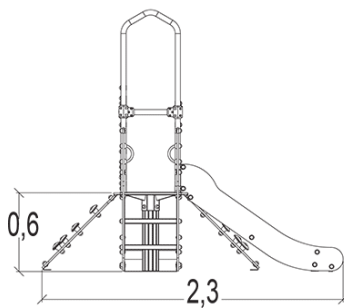
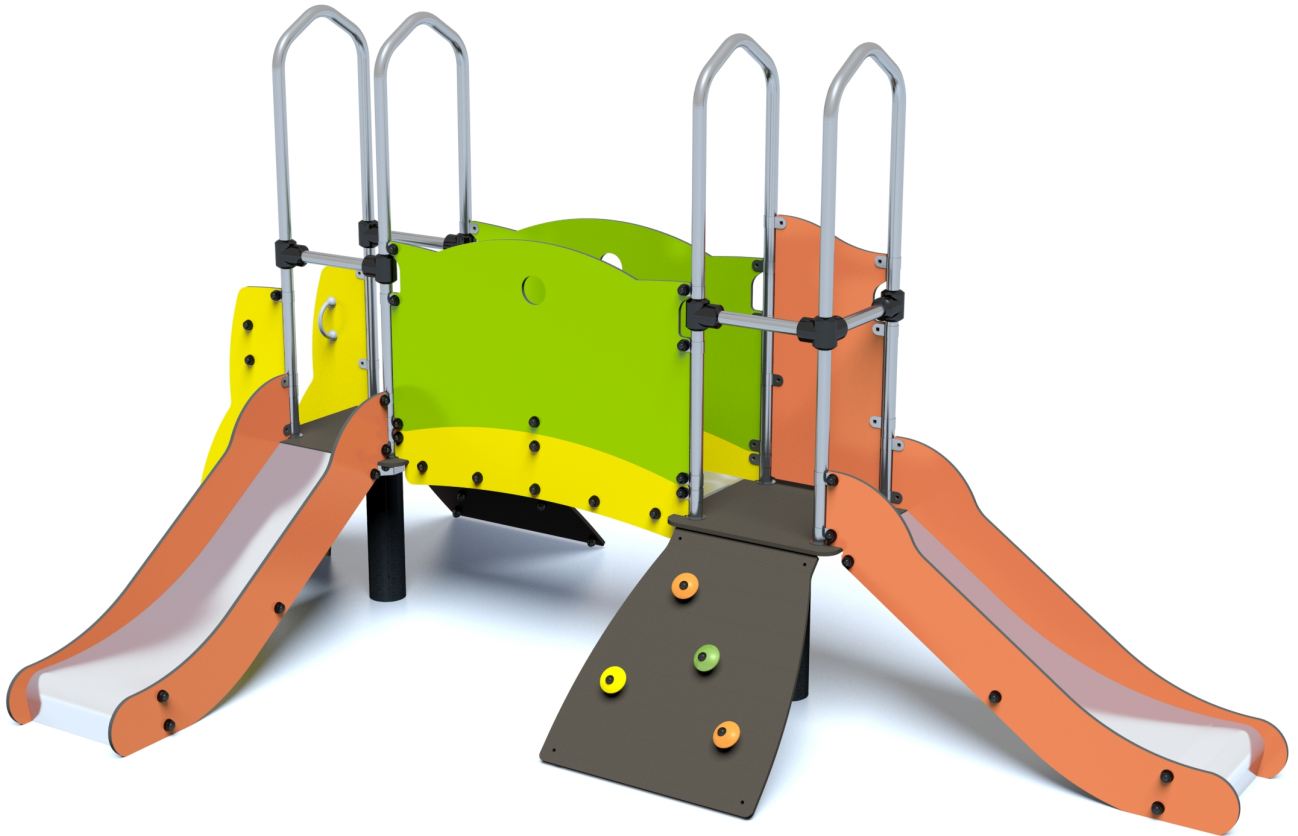
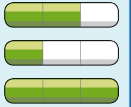
1 = 3,74m 2 = 2,32m 3 = 2m



Motor disability

Sensorial disabilities

Learning disabilities



Play value : 5

climbing



x1

sliding



x1

meeting



x1

climbing

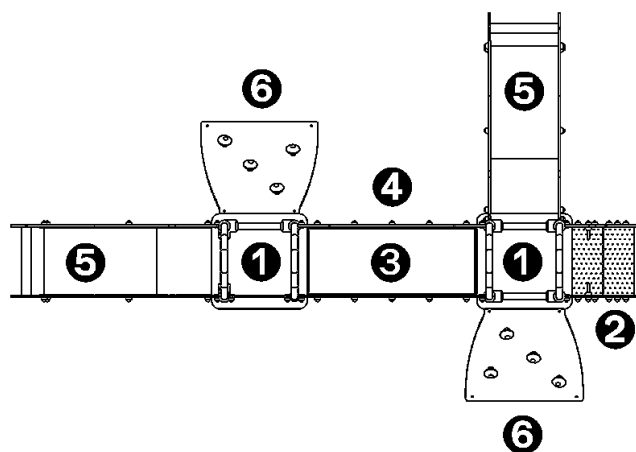


x1

getting across



x1

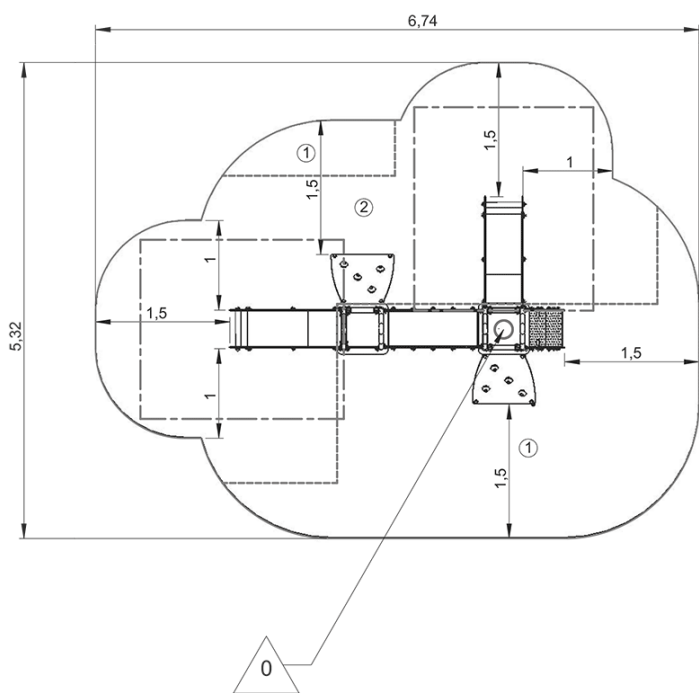


- 1 Platform HT: 0.6m
- 2 Steps
- 3 Walkway
- 4 Wall
- 5 Slide HT: 0.6m
- 6 Slope

Installation of equipment

Impact area =

- Impact area
- Free space



1	0,6m	12m ²
2	1m	15,5m ²

2

21h00

0.4m³

28m²

170kg

11kg

EN
1176

0000-00-00