



3+



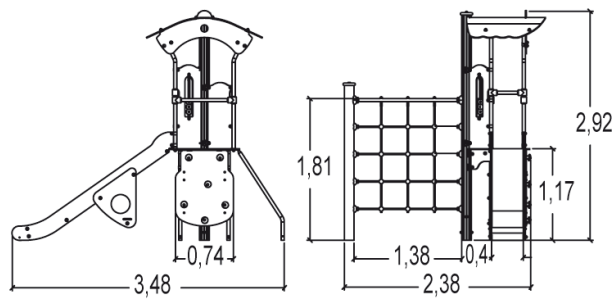
15



1,8m



1 = 3,48m 2 = 2,59m 3 = 2,9m



Play value : 10

climbing



x1

sliding



x1

meeting



x1

resting



x1

handling



x1

taking shelter



x1

climbing

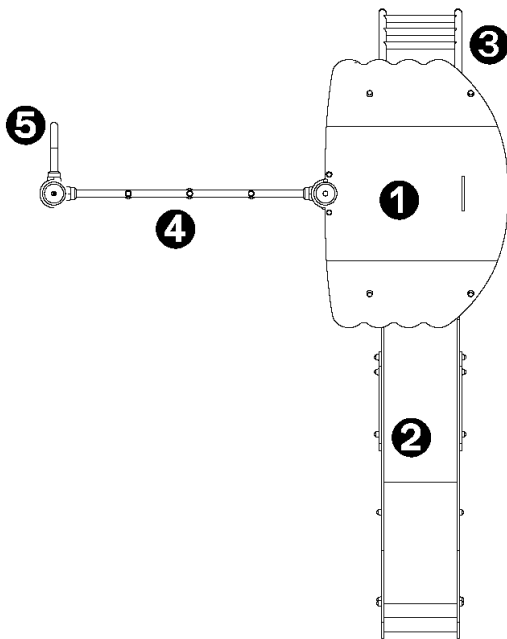


x3

getting across



x1

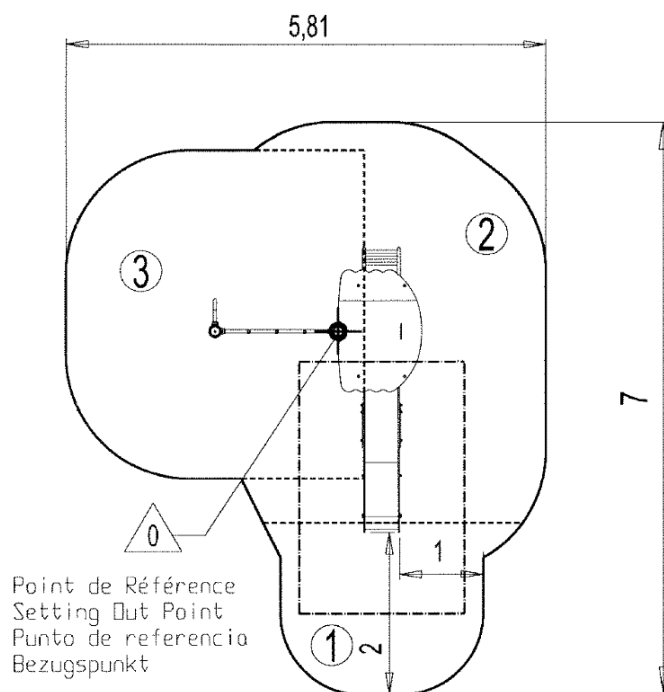


- ❶ Tower HT: 1.17m
- ❷ Slide HT: 1.17m
- ❸ Inclined ladder
- ❹ Climbing net
- ❺ Garde-corps poteau/tube
- ❻ Post
- ❼ Post ladder
- ❽ Climbing wall
- ❾ Seat
- ❿ Counting panel

Installation of equipment

Impact area =

- Impact area
- Free space



1	1m	5,5m ²
2	1,17m	11m ²
3	1,8m	12m ²



2



08h00



0.28m³



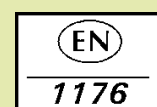
28.5m²



220kg



33kg



Proludic

0000-00-00