



2+



24



1,17m



1 = 4,83m 2 = 3,66m 3 = 2,93m



Play value : 12

climbing



x2

sliding



x2

meeting



x2

resting



x1

handling



x1

taking shelter



x1

climbing

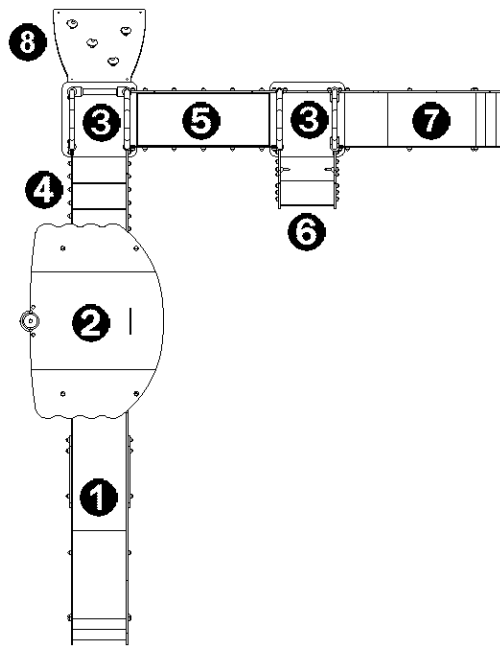


x2

getting across



x1

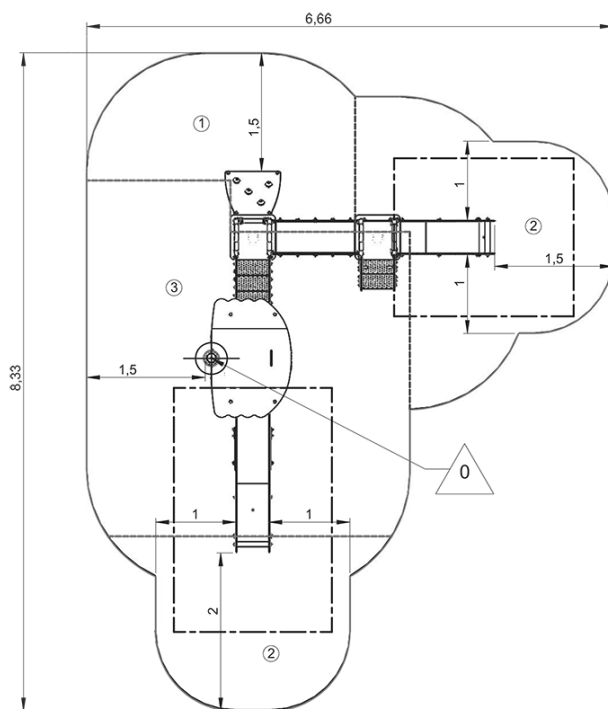


- ① Slide HT: 1.17m
- ② Tower HT: 1.17m
- ③ Platform HT: 0.6m
- ④ Connecting staircase
- ⑤ Walkway
- ⑥ Steps
- ⑦ Slide HT: 0.6m
- ⑧ Slope
- ⑨ Climbing wall
- ⑩ Seat
- ⑪ Counting panel

Installation of equipment

Impact area =

- Impact area
- Free space



1	0,6m	6,5m ²
2	1m	14m ²
3	1,17m	17m ²

2

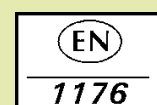
22h00

0.25m³

37.5m²

367kg

33kg



2009-09-01