



2+



30



1,8m



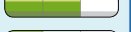
1 = 6,18m 2 = 2,71m 3 = 2,9m



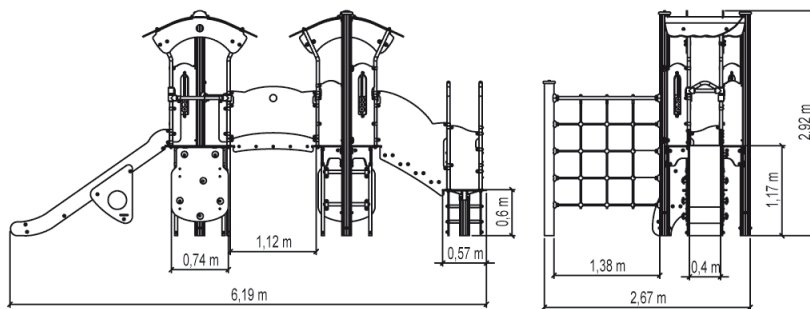
Motor disability



Sensorial disabilities



Learning disabilities



Play value :

13

climbing



x1

sliding



x1

meeting



x2

resting



x1

handling



x1

taking shelter



x1

climbing

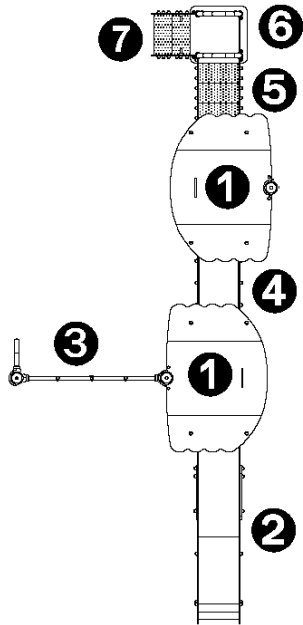


x4

getting across



x2

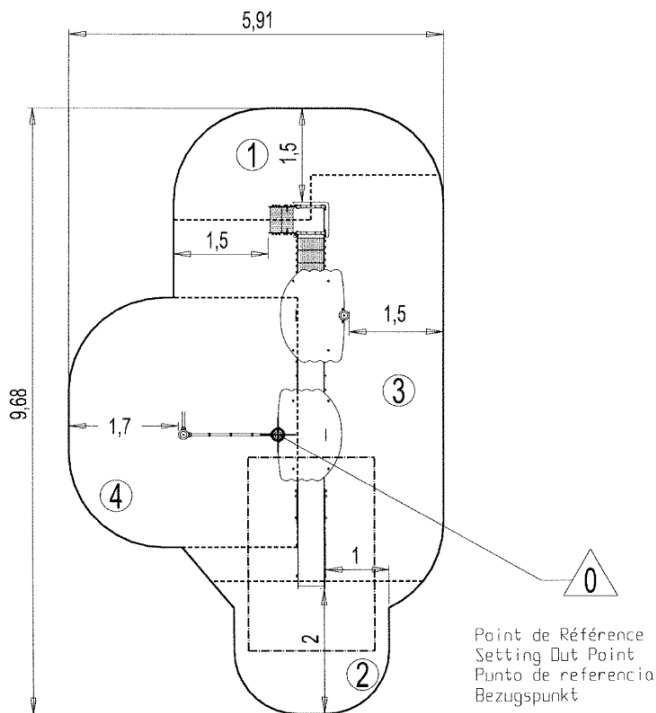


- ① Tower HT: 1.17m
- ② Slide HT: 1.17m
- ③ Climbing net
- ④ Walkway
- ⑤ Connecting staircase
- ⑥ Platform HT: 0.6m
- ⑦ Steps
- ⑧ Post
- ⑨ Post ladder
- ⑩ Climbing wall
- ⑪ Seat
- ⑫ Counting panel

Installation of equipment

Impact area =

- Impact area
- Free space



1	0,6m	5,5m ²
2	1m	5m ²
3	1,17m	17,5m ²
4	1,8m	12,5m ²



2



20h00



0.3m³



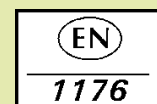
40.5m²



472kg



33kg



Proludic

0000-00-00