



3+



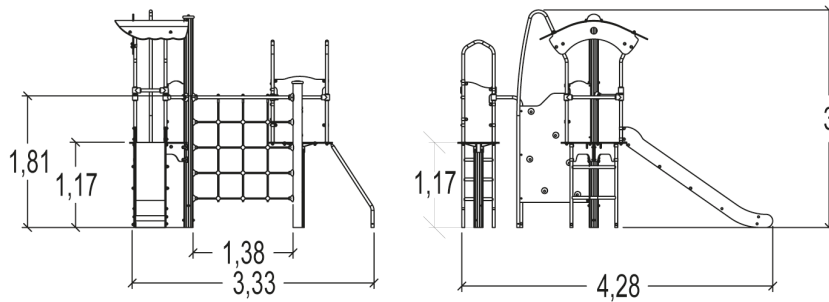
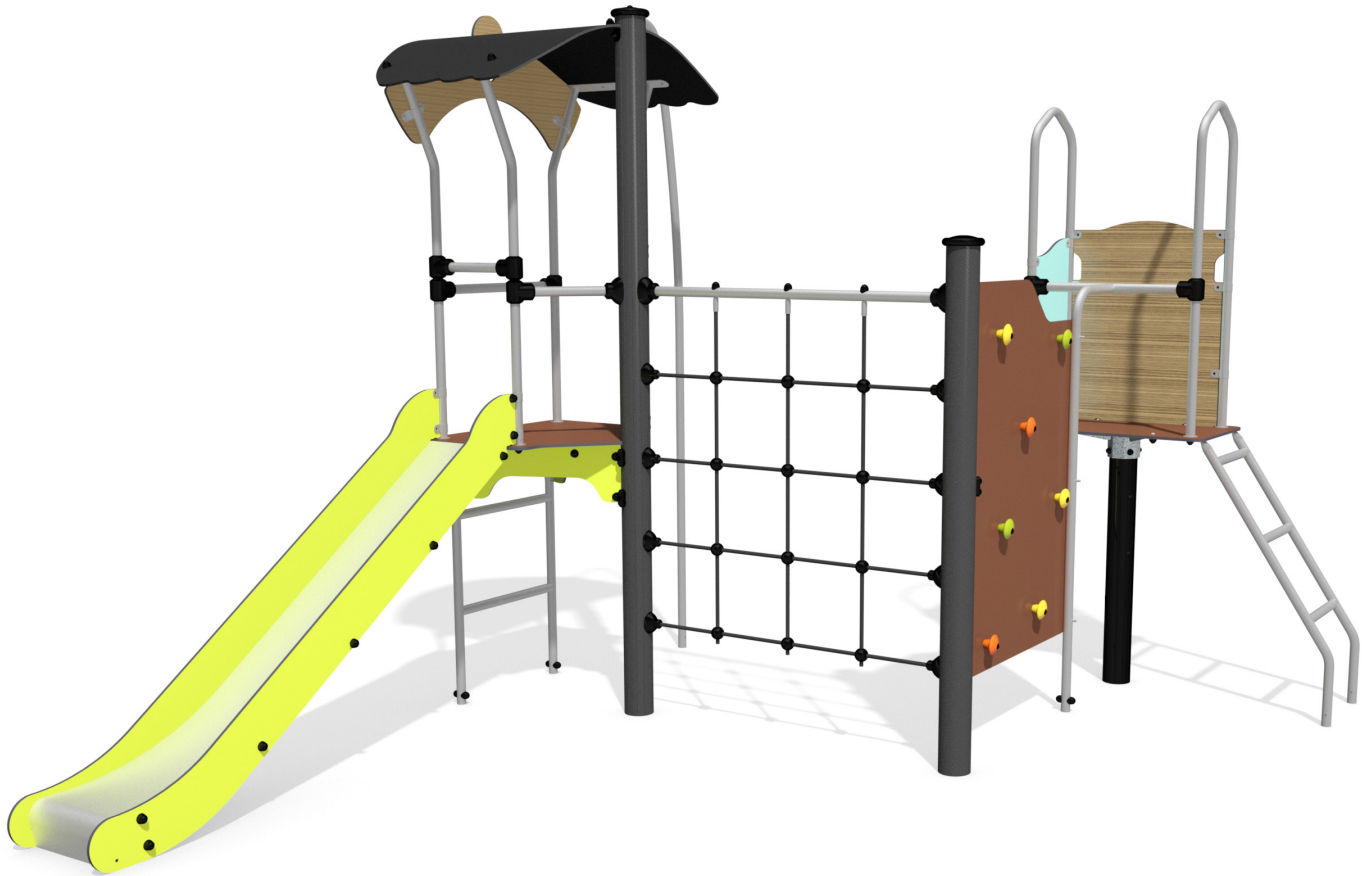
22



2m



1 = 4,34m 2 = 3,56m 3 = 3m



Play value : 9

climbing



x1

sliding



x2

meeting



x2

taking shelter



x1

climbing

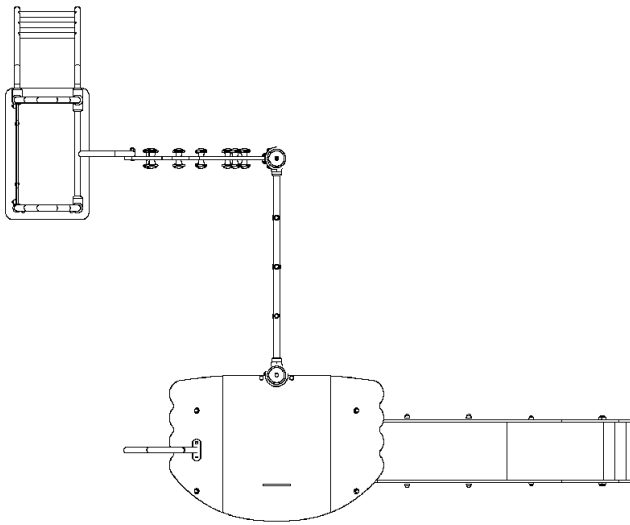


x2

getting across



x1

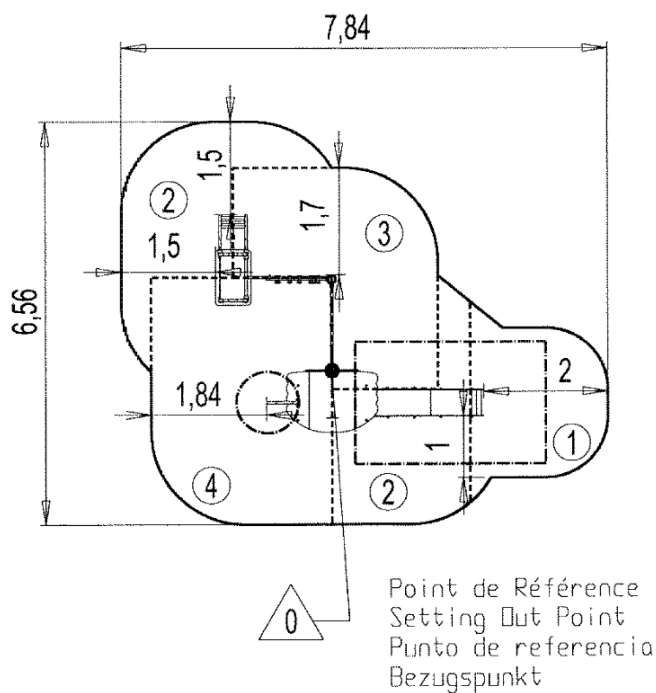


- ① Fireman's pole
- ② Platform HT: 1.17m
- ③ Tower HT: 1.17m
- ④ Slide
- ⑤ Climbing net
- ⑥ Climbing wall
- ⑦ Inclined ladder

## Installation of equipment

Impact area =

- Impact area
- Free space



1	1m	5,5m <sup>2</sup>
2	1,17m	11,5m <sup>2</sup>
3	1,8m	8,5m <sup>2</sup>
4	2m	11,5m <sup>2</sup>



2



12h00



0.4m<sup>3</sup>



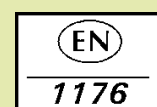
37m<sup>2</sup>



293kg



33kg



*Proludic*

0000-00-00