



3+



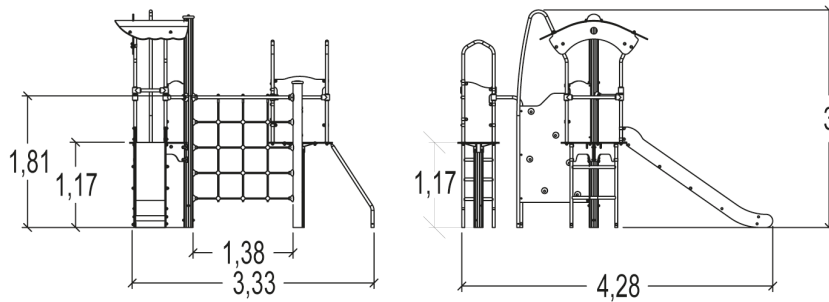
22



2m



1 = 4,34m 2 = 3,56m 3 = 3m



Play value : 9

climbing



x1

sliding



x2

meeting



x2

taking shelter



x1

climbing

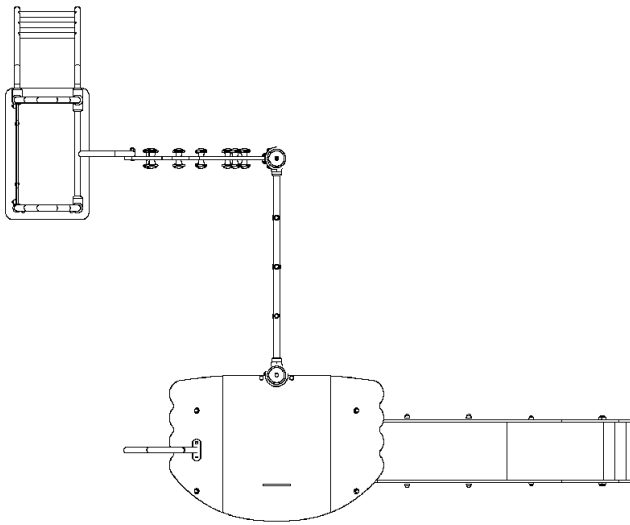


x2

getting across



x1

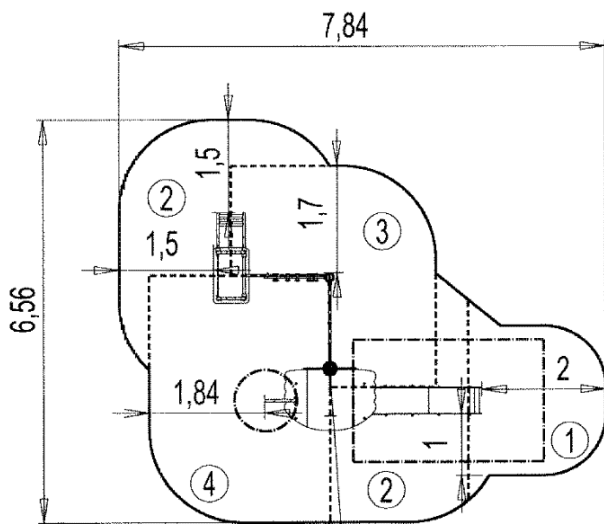


- ① Fireman's pole
- ② Platform HT: 1.17m
- ③ Tower HT: 1.17m
- ④ Slide
- ⑤ Climbing net
- ⑥ Climbing wall
- ⑦ Inclined ladder

Installation of equipment

Impact area =

- Impact area
- Free space



Point de Référence
Setting Out Point
Punto de referencia
Bezugspunkt

1	1m	5,5m ²
2	1,17m	11,5m ²
3	1,8m	8,5m ²
4	2m	11,5m ²

2

12h00

0.4m³

37m²

294kg

33kg

EN
1176

0000-00-00