



3+



8



2m



1 = 4,4m 2 = 3,52m 3 = 3m



Play value : 5

sliding



x2

meeting



x1

swinging

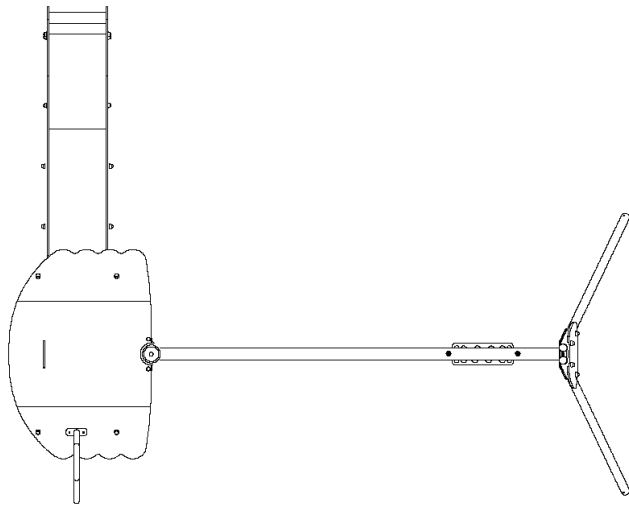


x1

taking shelter



x1

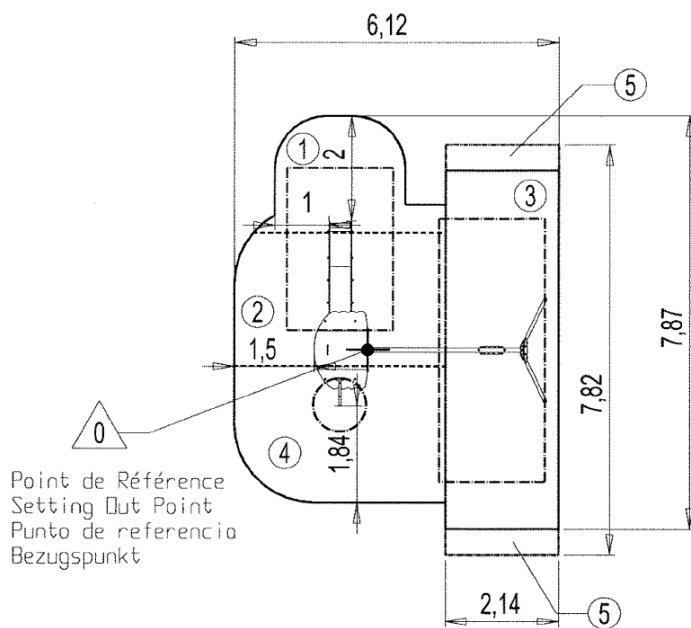


- ① Fireman's pole
- ② Swing
- ③ Tower HT: 1.17m
- ④ Slide
- ⑤ Wall
- ⑥
- ⑦

Installation of equipment

Impact area =

- Impact area
- Free space



1	1m	5,5m ²
2	1,17m	10m ²
3	1,4m	14,5m ²
4	2m	13,5m ²
5	<0,6m	2m ²



2



09h00



0.3m³



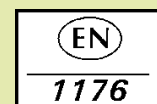
40m²



221kg



33kg



Proludic

0000-00-00