



1+



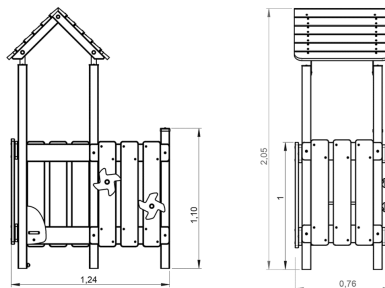
6



0,55m



1 = 1,24m 2 = 0,76m 3 = 2,05m



Play value :

5

taking shelter



resting



role play

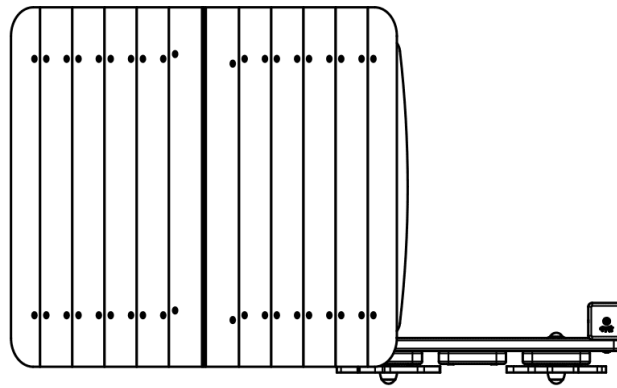


handling



meeting

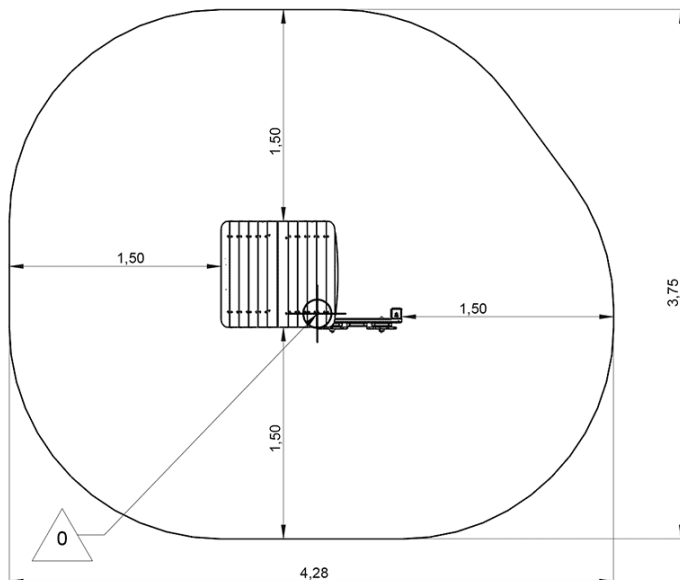






## Installation of equipment

Impact area =

-  Impact area
-  Free space



		
1	0,55m	14m <sup>2</sup>



2



02h00



0.1m<sup>3</sup>



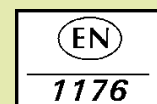
14m<sup>2</sup>



100kg



6kg



*Proludic*

0000-00-00