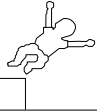
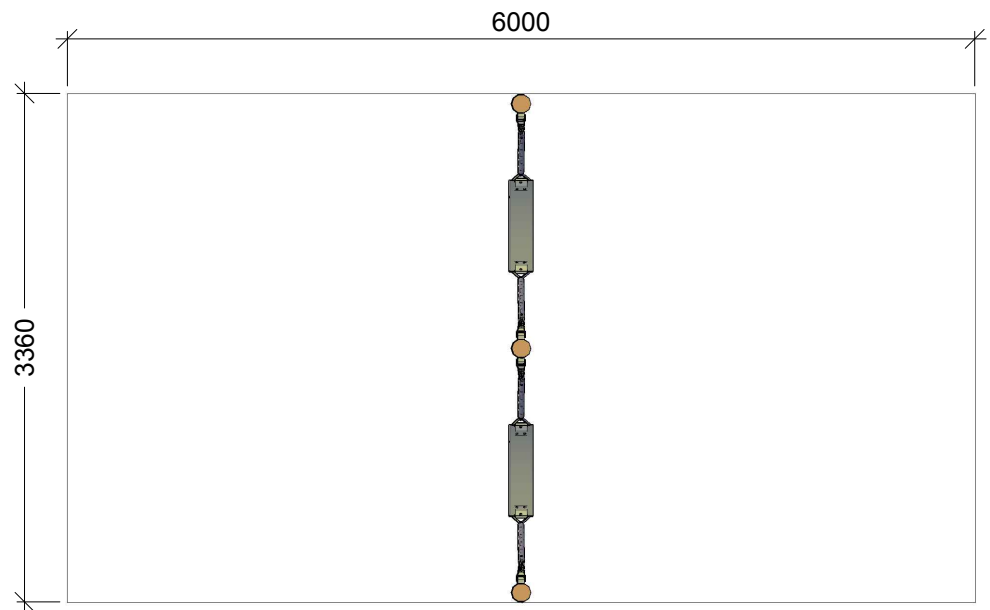
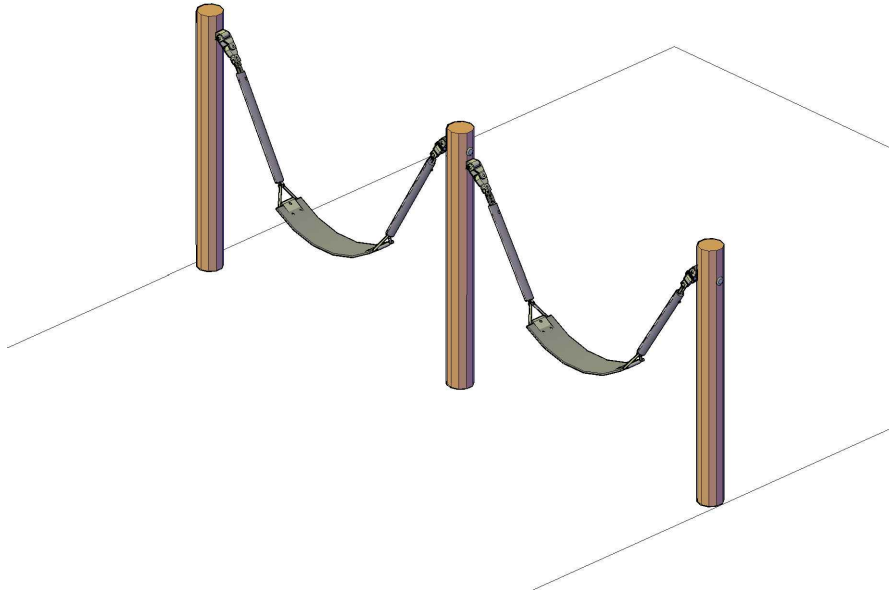
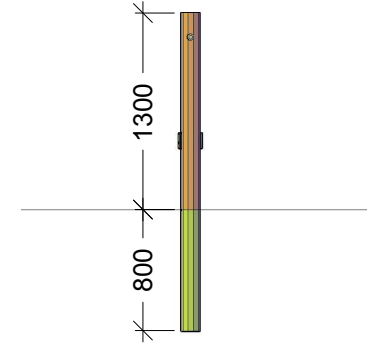
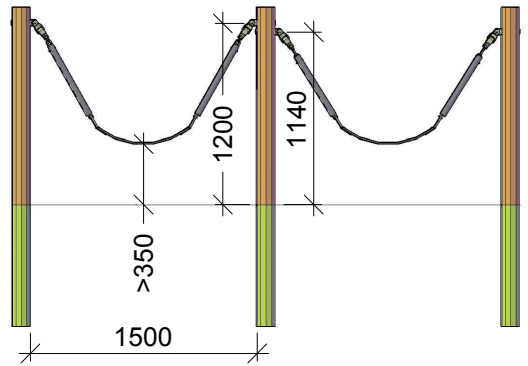


NORLEG	
Robinia stolpegynge m. 2 sæder	
N3262	
01.02.2016	REV. -

< 800



≥ EN 1176



1:50

This drawing is the property of NORLEG and pursuant to current legislation may not be copied, transferred to or used by any third party. Should this drawing be used, a fee of 10% of the assumed contract price will be charged.

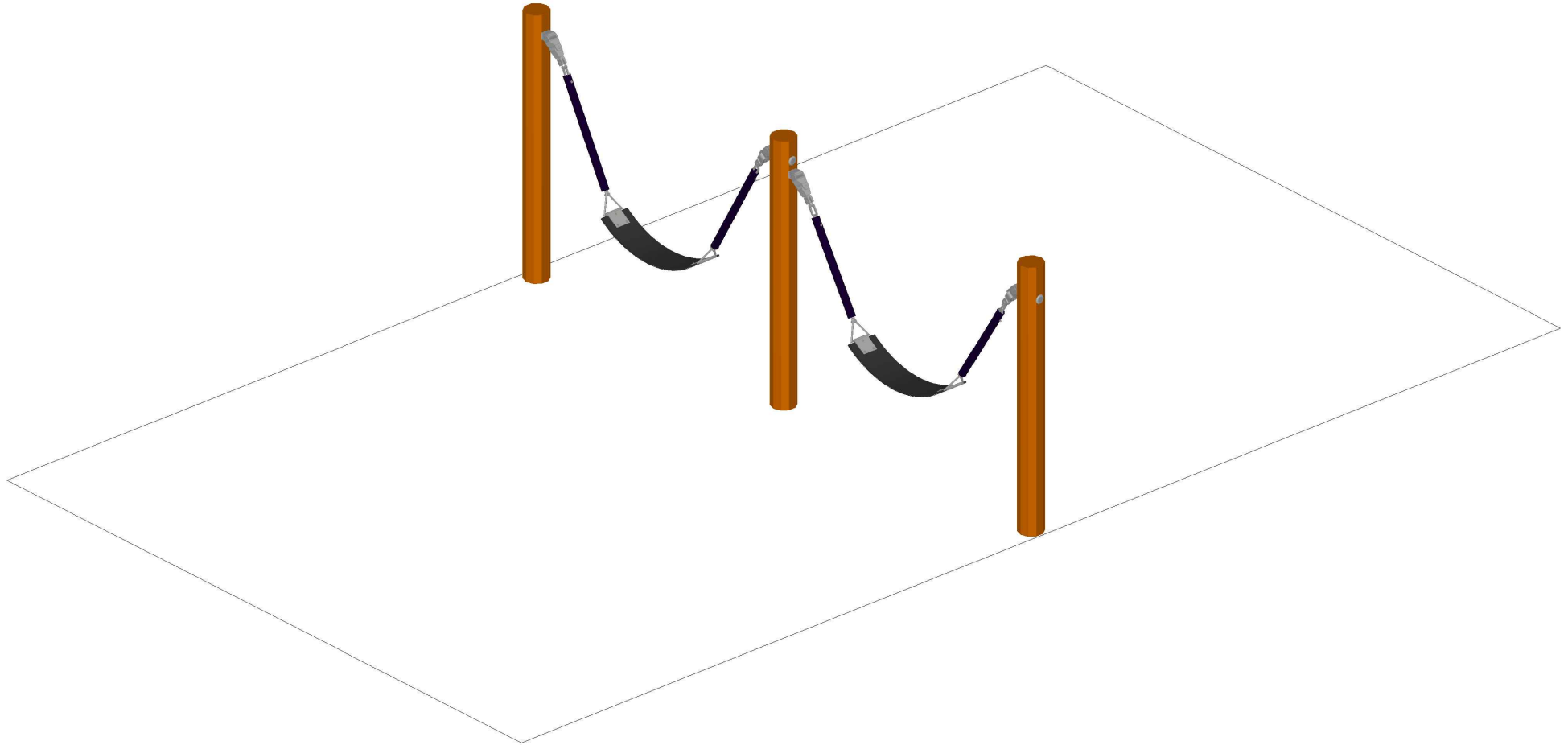
NORLEG - 3D

Robinia stolpegyngе m. 2 sæder

N3262


01.02.2016

REV. -



NORLEG - Mont.	
Robinia stolpegyngе m. 2 sæder	
N3262	
01.02.2016	REV. -

< 800

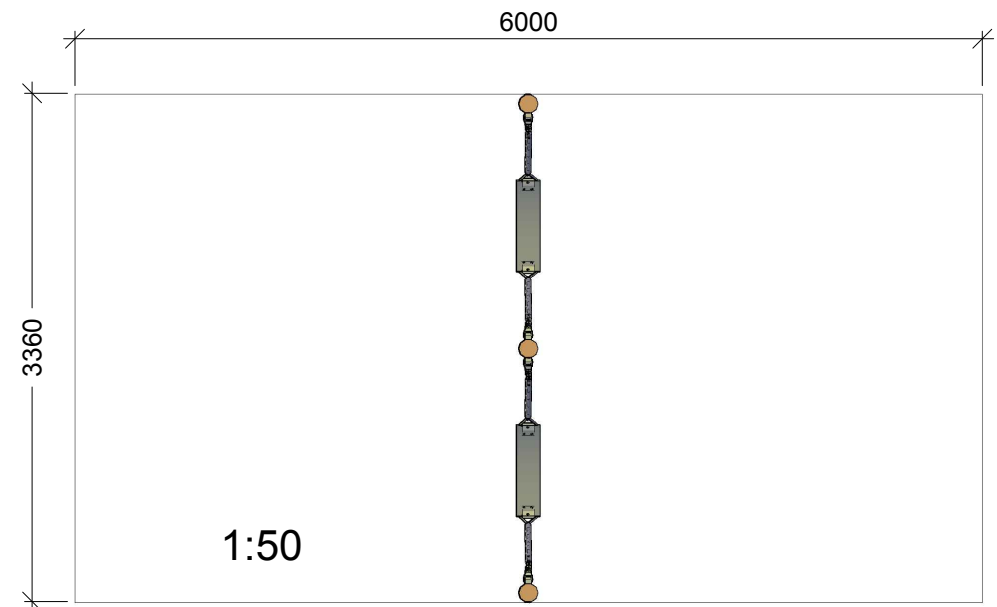
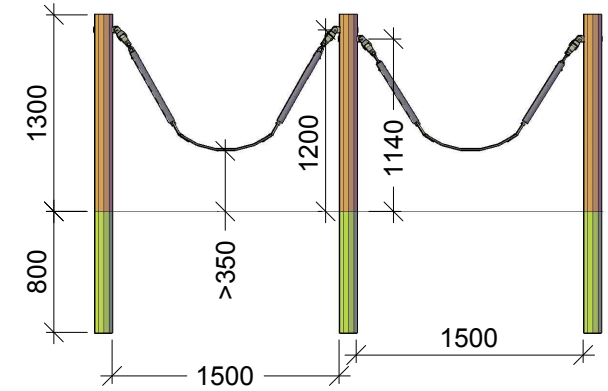
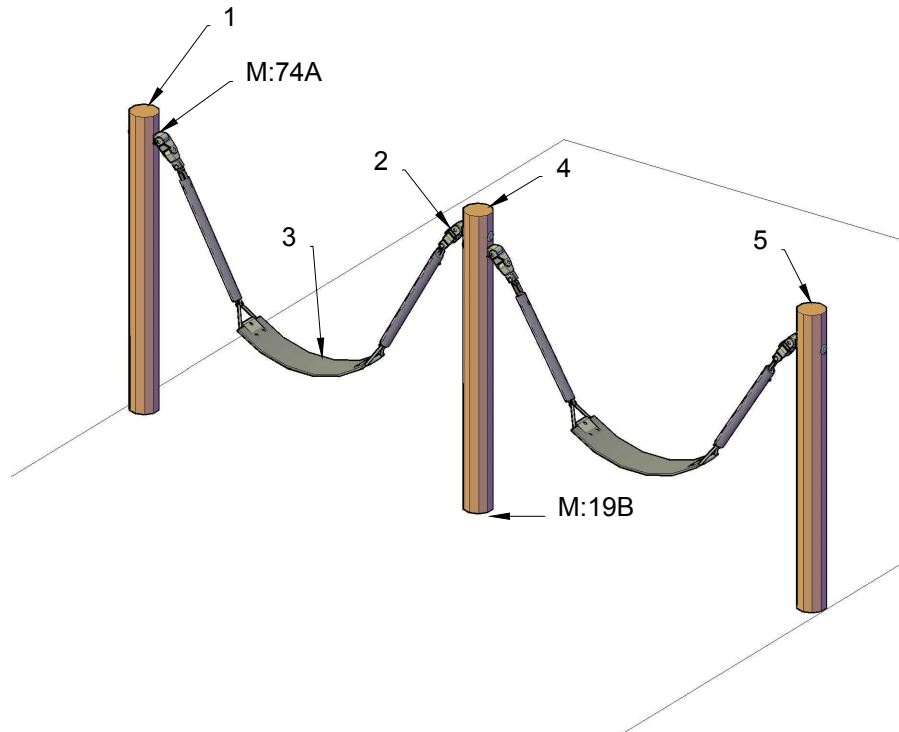


≥ EN 1176

Mont.p. nr.

19B
74A

Parts list		
Mrk.	QTY	Part.no
1	2	100-120-2100
2	2	LE20183
3	1	LE20150
4	1	100-120-2100
5	1	100-120-2100



This drawing is the property of NORLEG and pursuant to current legislation may not be copied, transferred to or used by any third party. Should this drawing be used, a fee of 10% of the assumed contract price will be charged.