
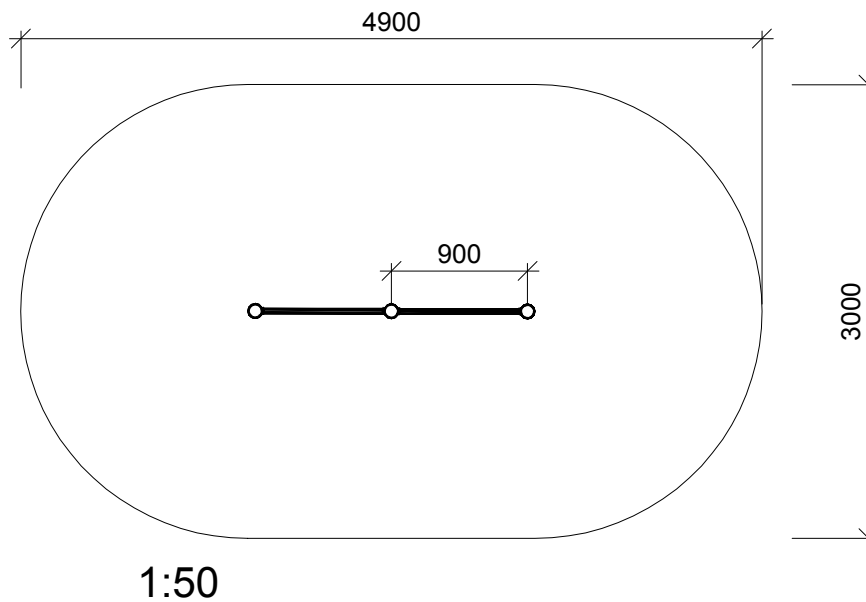
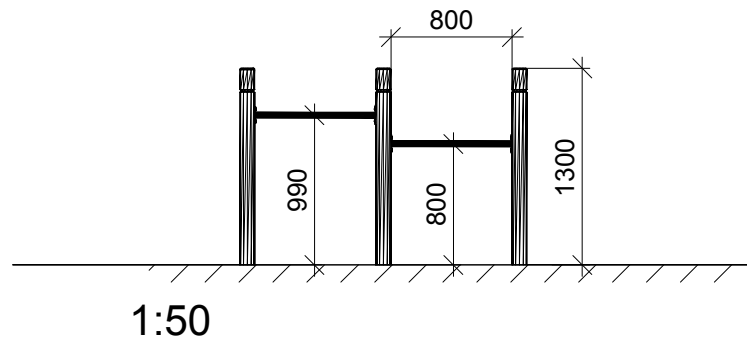
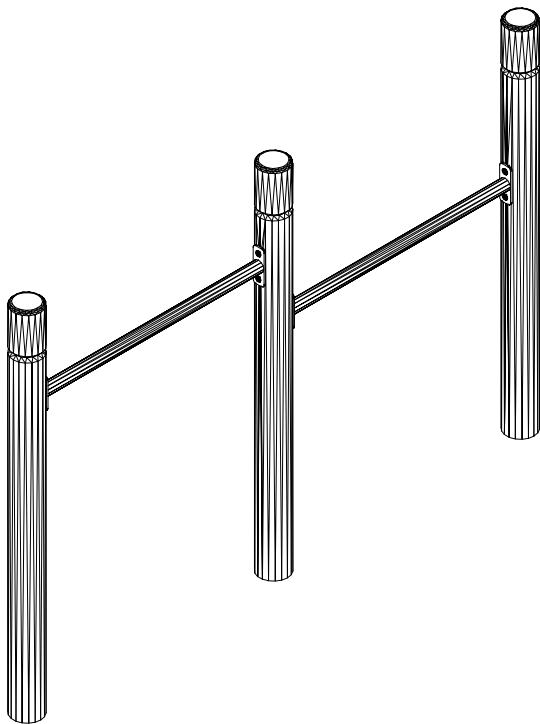


NORLEG	
Kolbøttestativ 2 fag	
N 3252	
04.12.2015	REV. -

< 990




≥ EN 1176



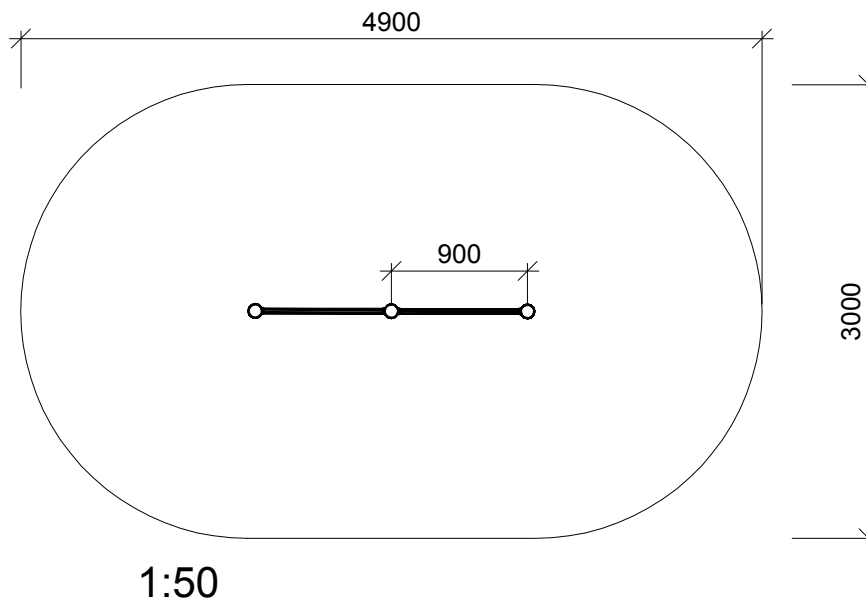
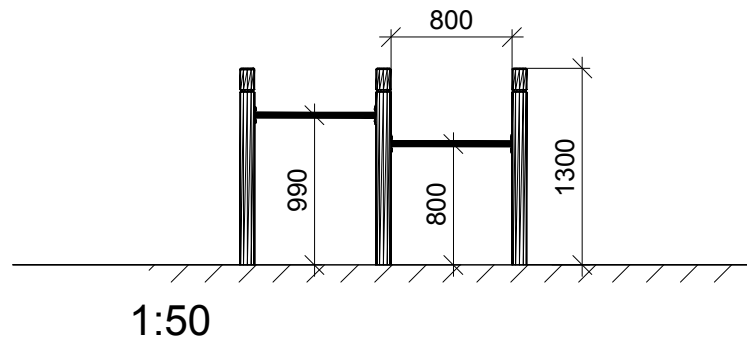
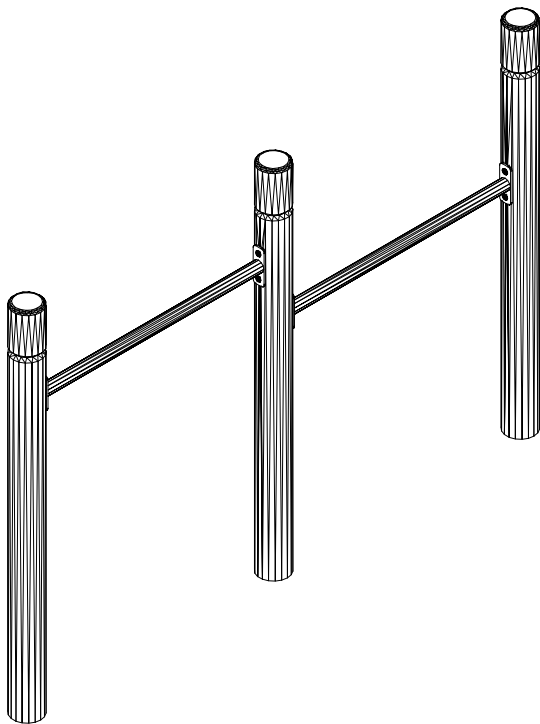
This drawing is the property of NORLEG and pursuant to current legislation may not be copied, transferred to or used by any third party. Should this drawing be used, a fee of 10% of the assumed contract price will be charged.

NORLEG	
Kolbøttestativ 2 fag	
N 3252	
04.12.2015	REV. -

< 990

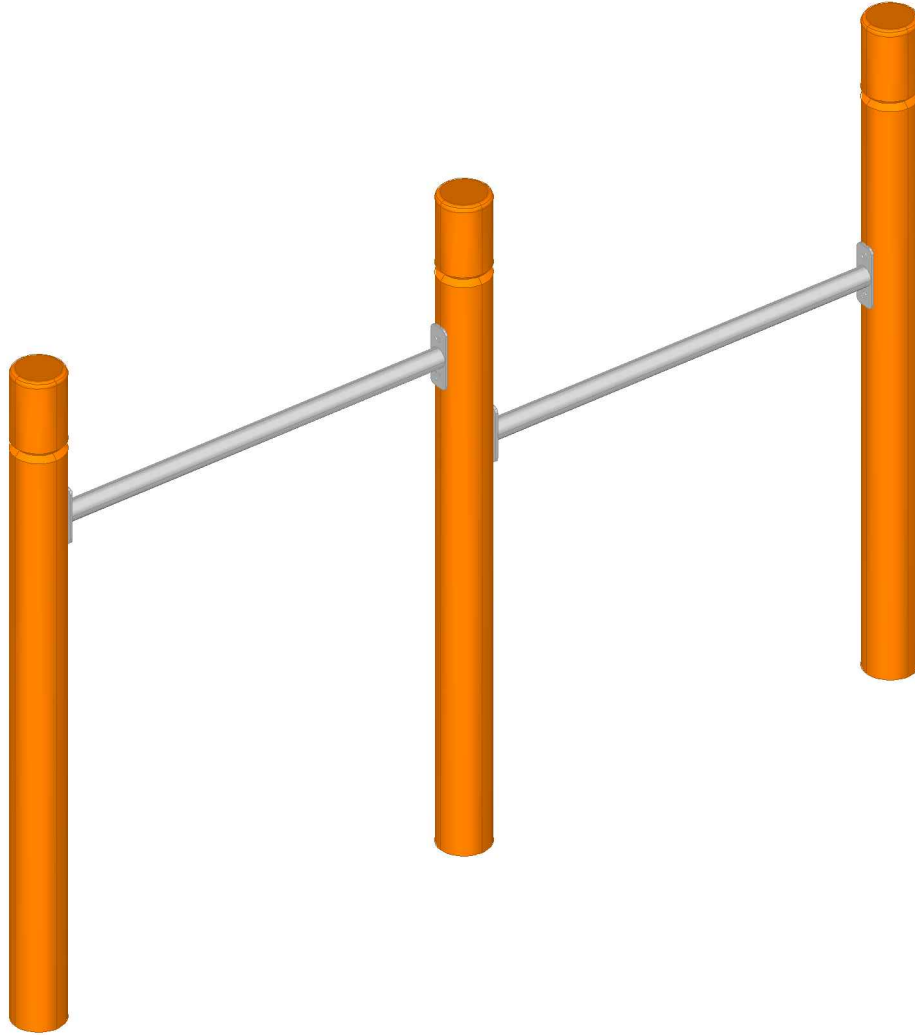


≥ EN 1176

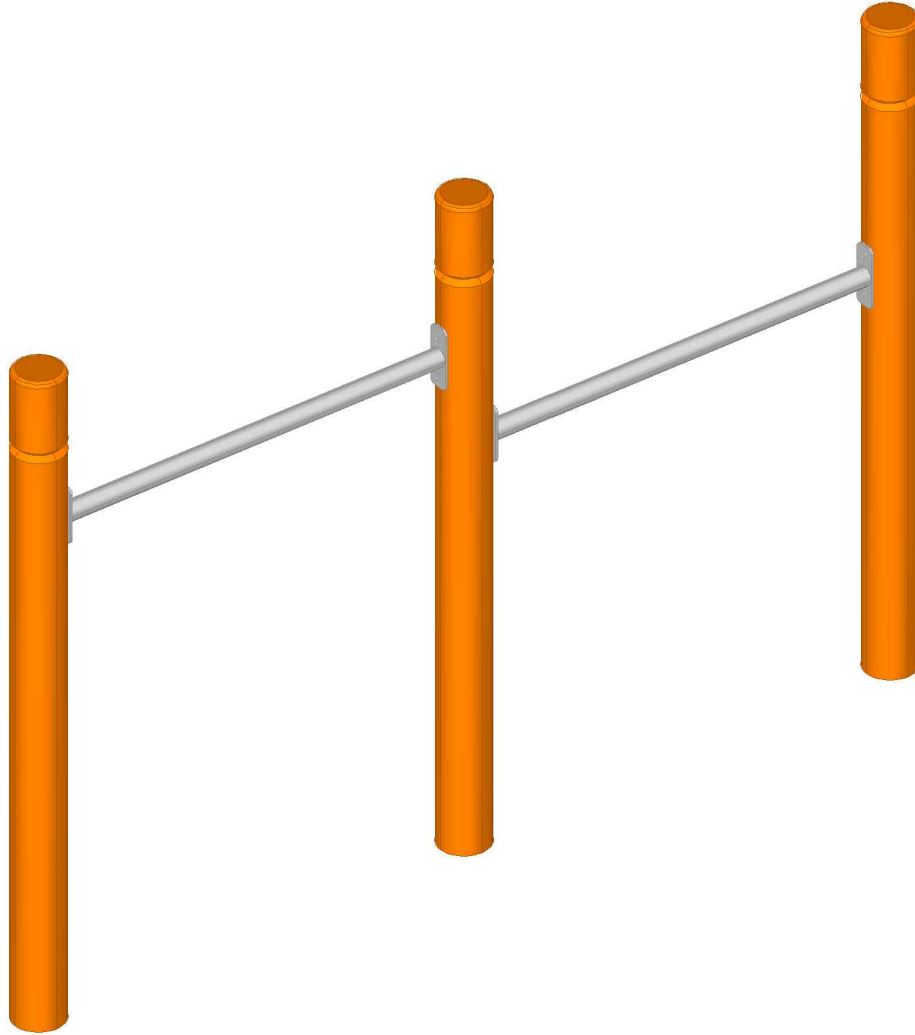


This drawing is the property of NORLEG and pursuant to current legislation may not be copied, transferred to or used by any third party. Should this drawing be used, a fee of 10% of the assumed contract price will be charged.

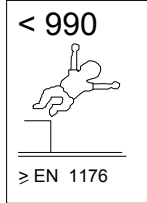
NORLEG - 3D	
Kolbøttestativ 2 fag	
N 3252	
04.12.2015	REV. -



NORLEG - 3D	
Kolbøttestativ 2 fag	
N 3252	
04.12.2015	REV. -



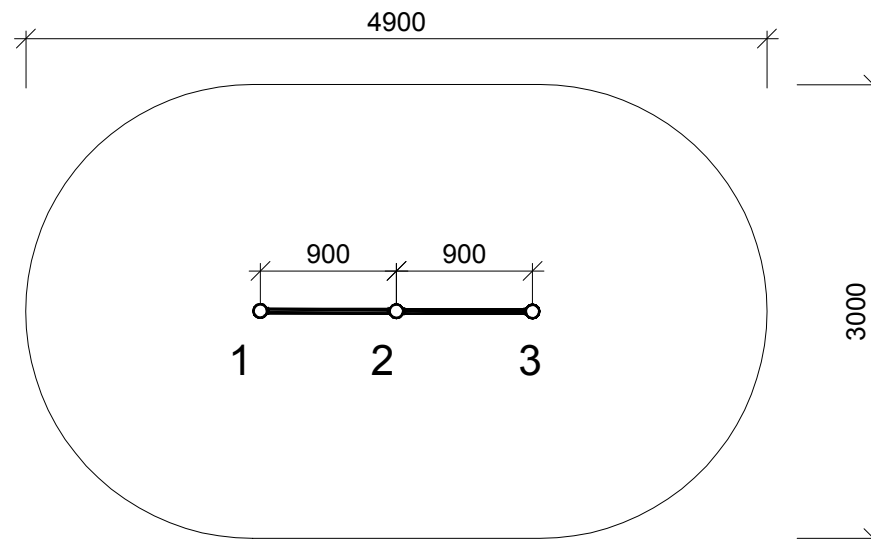
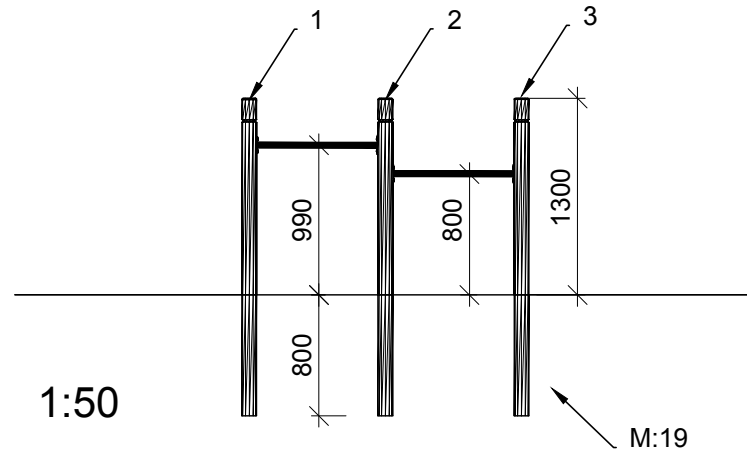
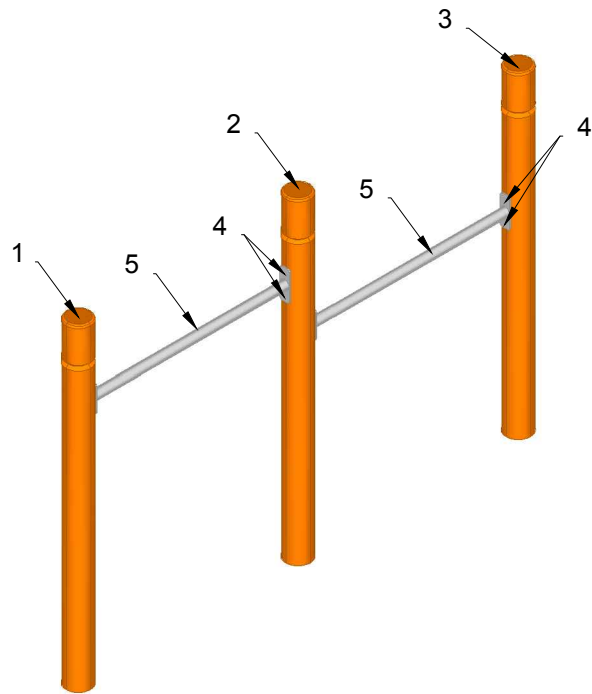
NORLEG - Mont.	
Kolbøttestativ 2 fag	
N 3252	
04.12.2015	REV. -



Mont.p. nr.

19

Parts list		
Mrk.	QTY	Part.no
1	1	100-120-2100-z
2	1	100-120-2100-z
3	1	100-120-2100-z
4	8	LE 16322 8x80 Tx40 A2
5	2	LE 15111 Bar A2



This drawing is the property of NORLEG and pursuant to current legislation may not be copied, transferred to or used by any third party. Should this drawing be used, a fee of 10% of the assumed contract price will be charged.