
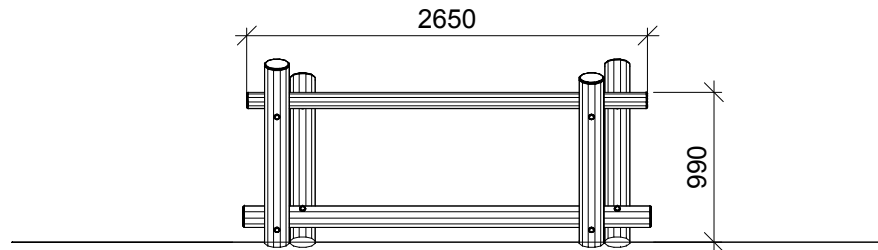
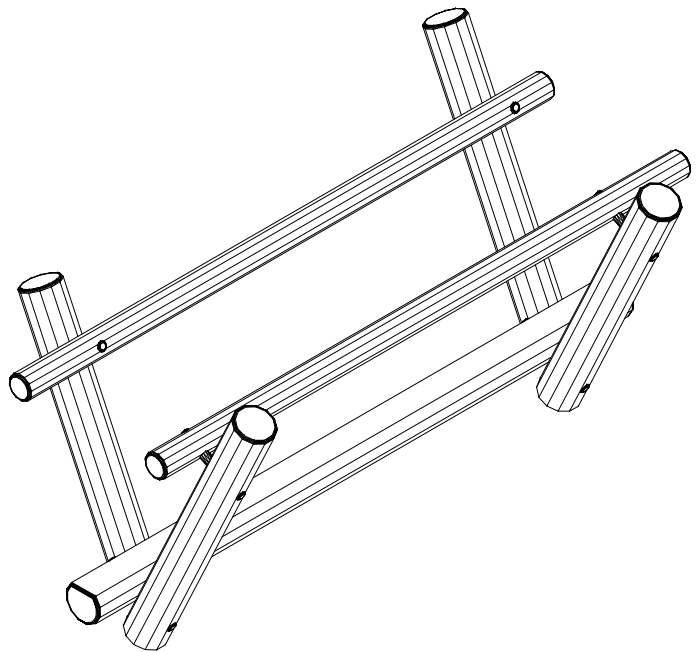


NORLEG	
Robinia gangbro	
LE 20952	
26.10.2007	REV. 05.11.2015

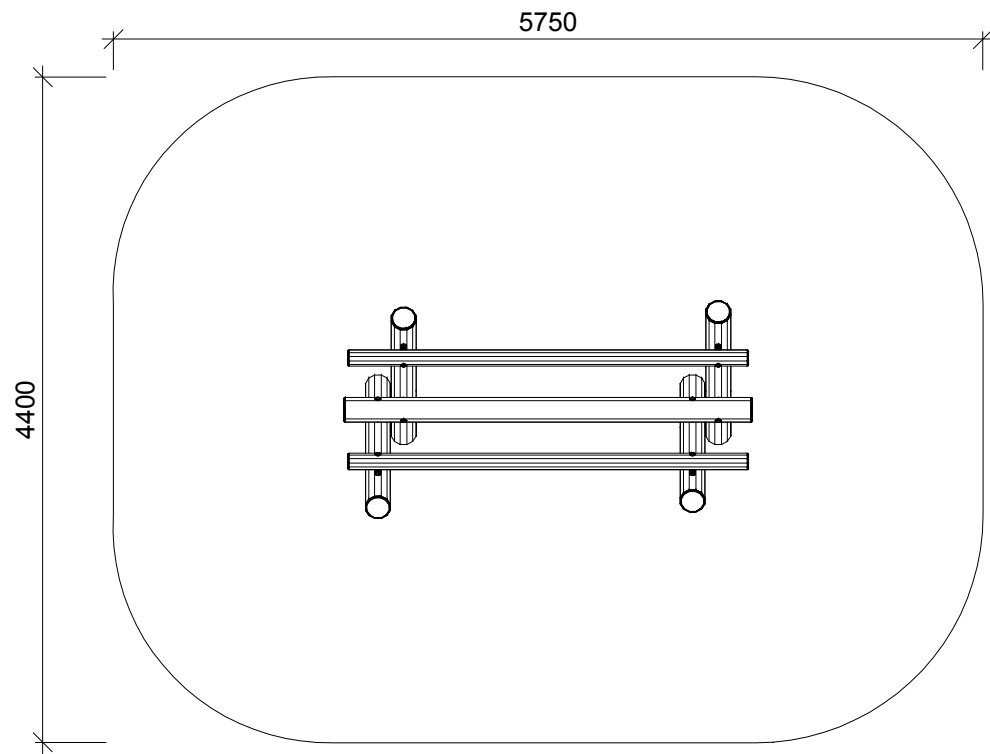
< 990



≥ EN 1176



1:50




1:50

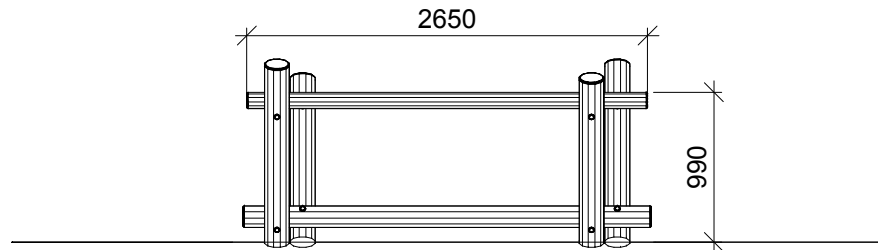
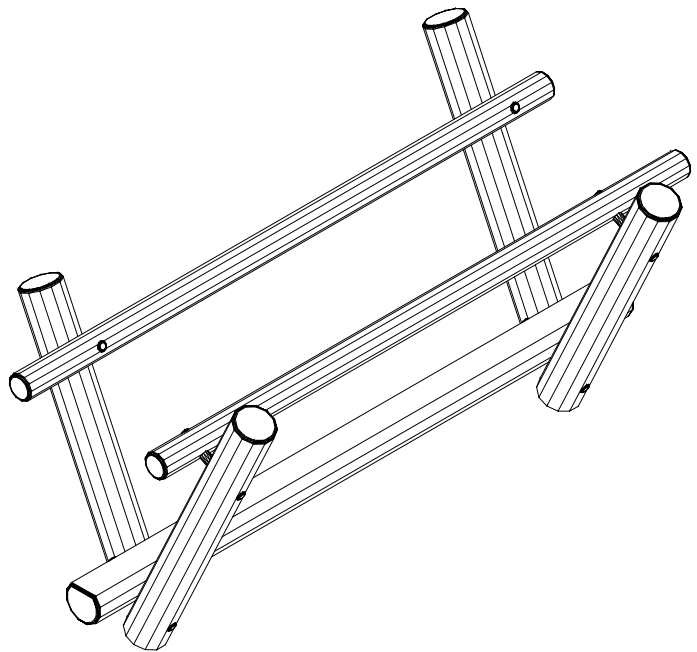
This drawing is the property of NORLEG and pursuant to current legislation may not be copied, transferred to or used by any third party. Should this drawing be used, a fee of 10% of the assumed contract price will be charged.

NORLEG	
Robinia gangbro	
LE 20952	
26.10.2007	REV. 05.11.2015

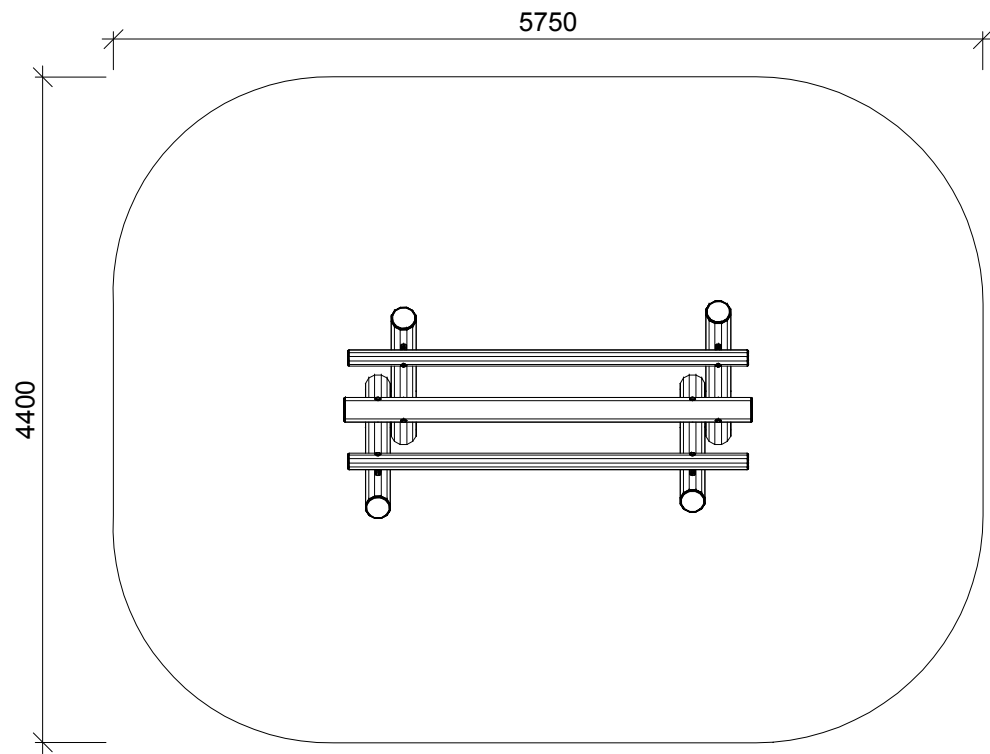
< 990



≥ EN 1176



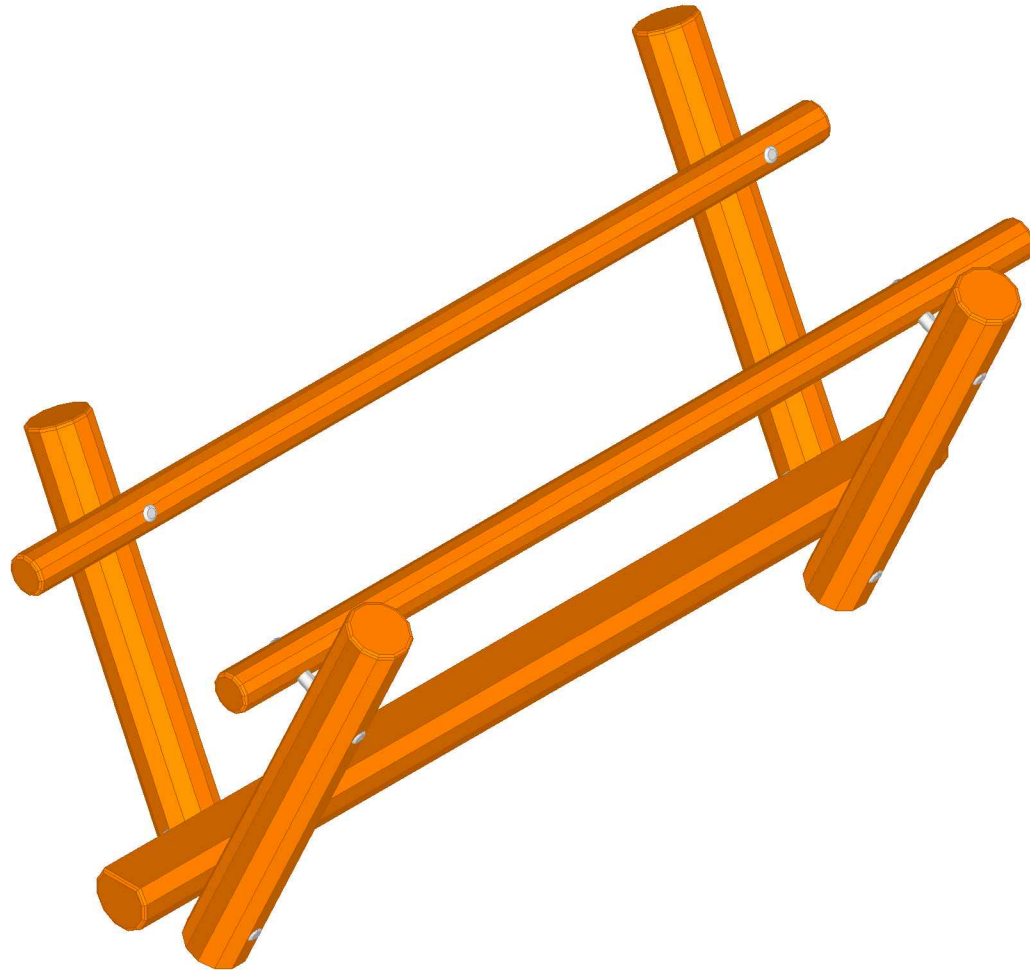
1:50



1:50

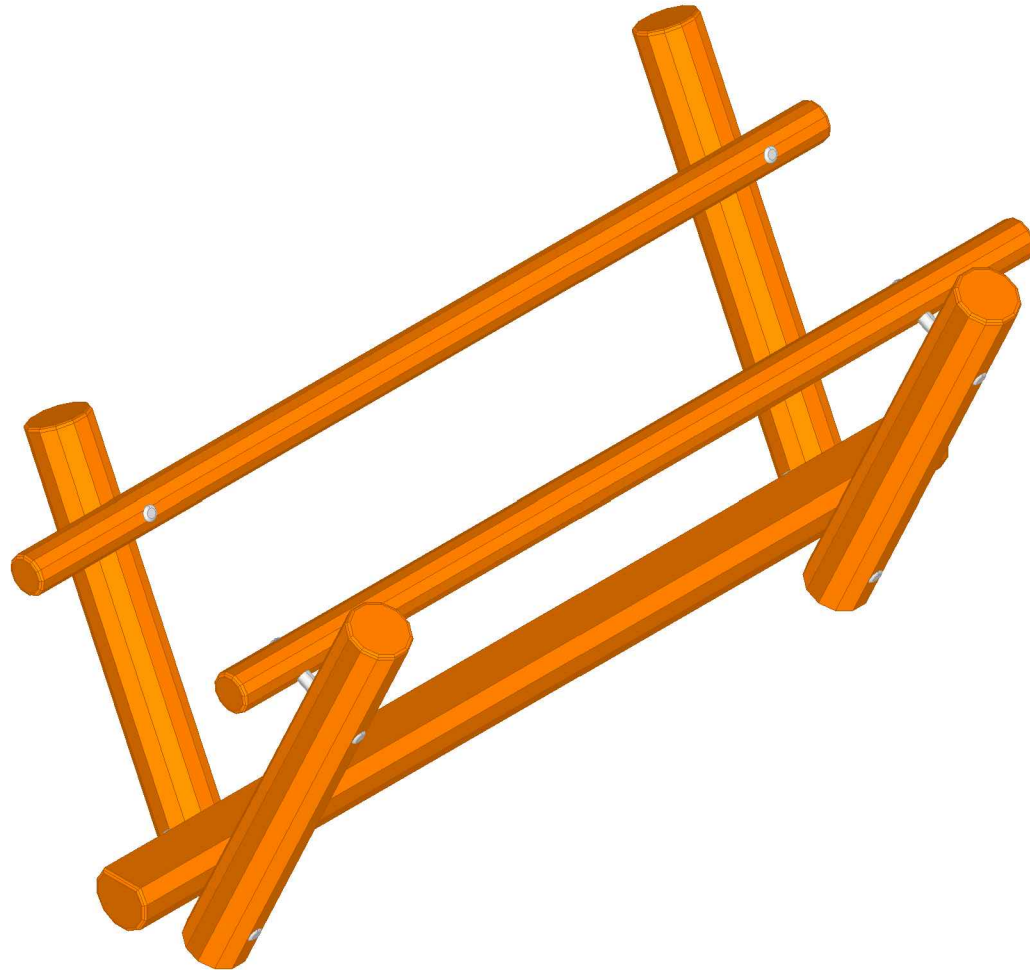
This drawing is the property of NORLEG and pursuant to current legislation may not be copied, transferred to or used by any third party. Should this drawing be used, a fee of 10% of the assumed contract price will be charged.

NORLEG - 3D	
Robinia gangbro	
LE 20952	
26.10.2007	REV. 05.11.2015



This drawing is the property of NORLEG and pursuant to current legislation may not be copied, transferred to or used by any third party. Should this drawing be used, a fee of 10% of the assumed contract price will be charged.


NORLEG - 3D	
Robinia gangbro	
LE 20952	
26.10.2007	REV. 05.11.2015



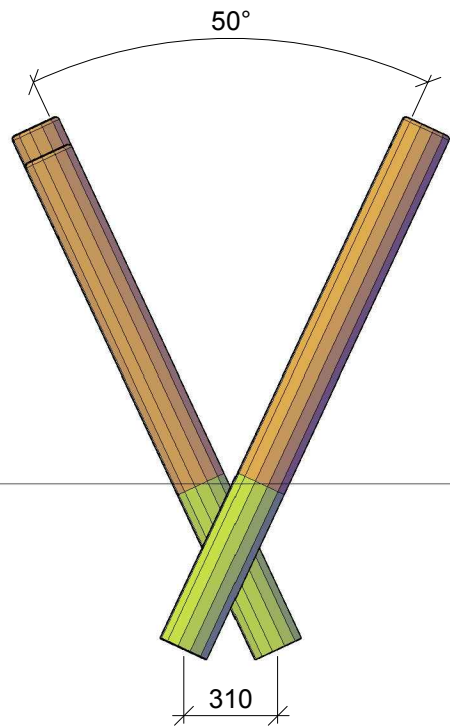
This drawing is the property of NORLEG and pursuant to current legislation may not be copied, transferred to or used by any third party. Should this drawing be used, a fee of 10% of the assumed contract price will be charged.

NORLEG - Mont.	
Robinia gangbro	
LE 20952	
26.10.2007	REV. 05.11.2015

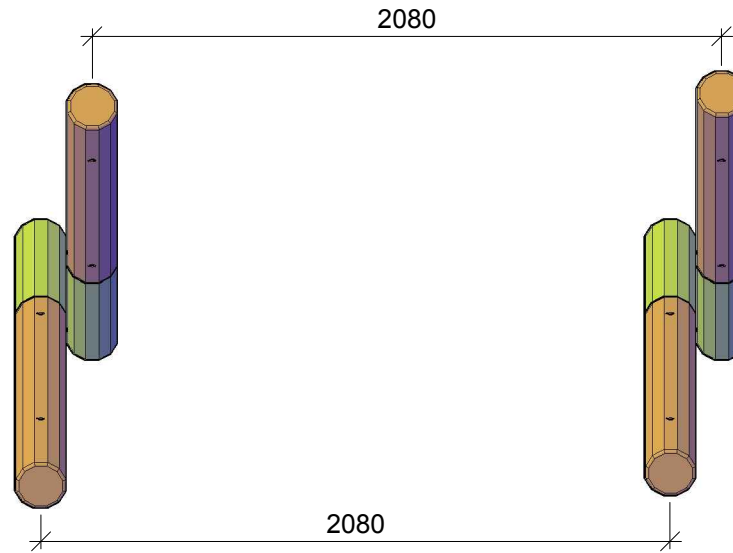
< 990



≥ EN 1176

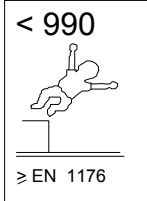


1:25



1:25

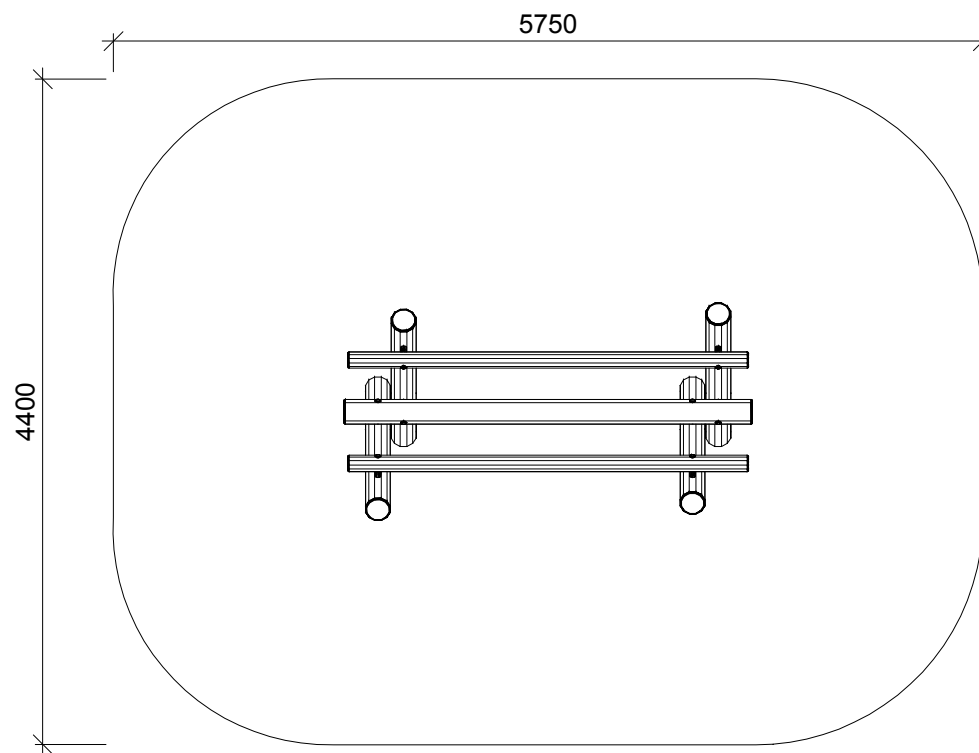
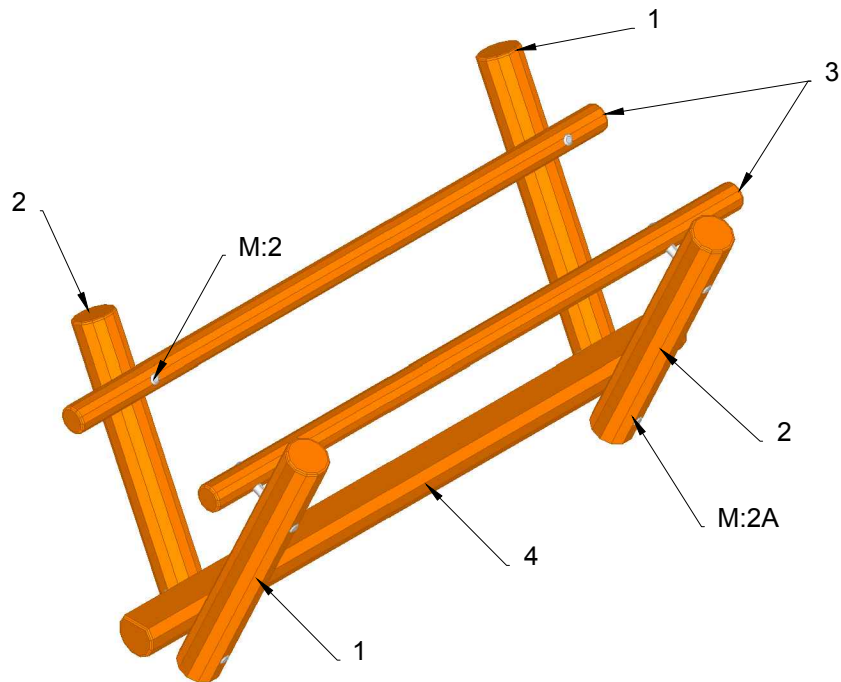
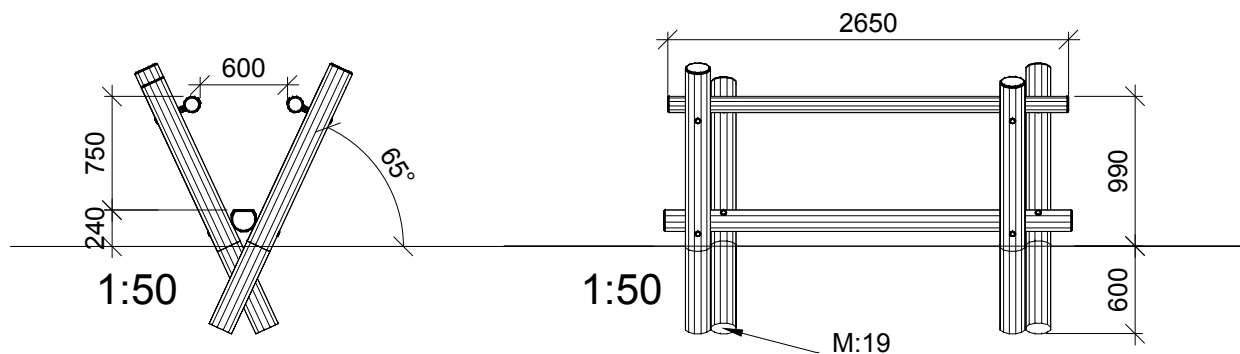
NORLEG - Mont.	
Robinia gangbro	
LE 20952	
26.10.2007	REV. 05.11.2015



Mont.p. nr.

2
2A
19

Parts list		
Mrk.	QTY	Part.no
1	2	160-180-1900
2	2	160-180-1800
3	2	100-120-2650
4	1	160-180-2700



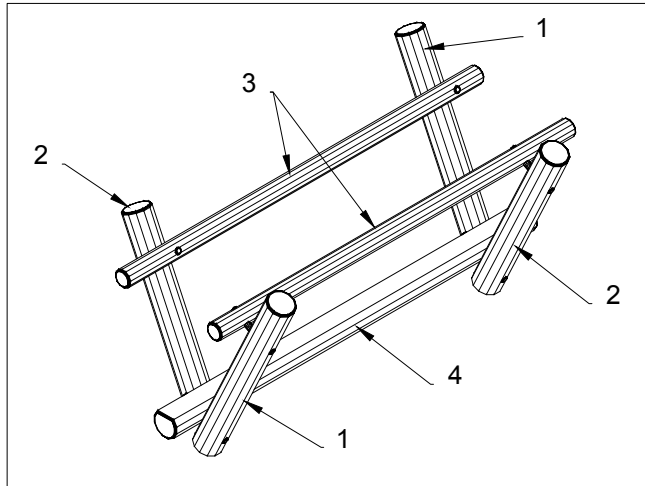
This drawing is the property of NORLEG and pursuant to current legislation may not be copied, transferred to or used by any third party. Should this drawing be used, a fee of 10% of the assumed contract price will be charged.

1:50

NORLEG - Produktion		
Robinia gangbro		
LE 20952	Tegner jb	Godkendt af -
26.10.2007	REV. 05.11.2015	

Parts list		
Mrk.	QTY	Part.no
1	2	160-180-1900-z
2	2	160-180-1800-z
3	2	100-120-2650-z
4	1	160-180-2700-k

Alle ender over jord affases, min. r3
 Der forbores iht. M:2
 Ø38 mm huller udføres min. 25 mm dybe
 Der monteres nulmærke, "0"



k = Kantskåret
 d = Dobbeltskåret
 v = Vinkelskåret
 h = Halvskåret
 t = k på 3 sider
 z = Speciel - se detalje

Denne tegning er NORLEG's ejendom, og må ifølge gældende lov ikke kopieres, overlades eller udnyttes af 3. mand. Sker dette, skal det påregnes, at der vil blive opkrævet et honorar på 10% af formodet entreprisesum.

