
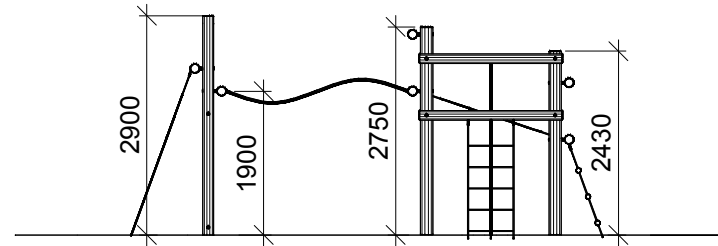
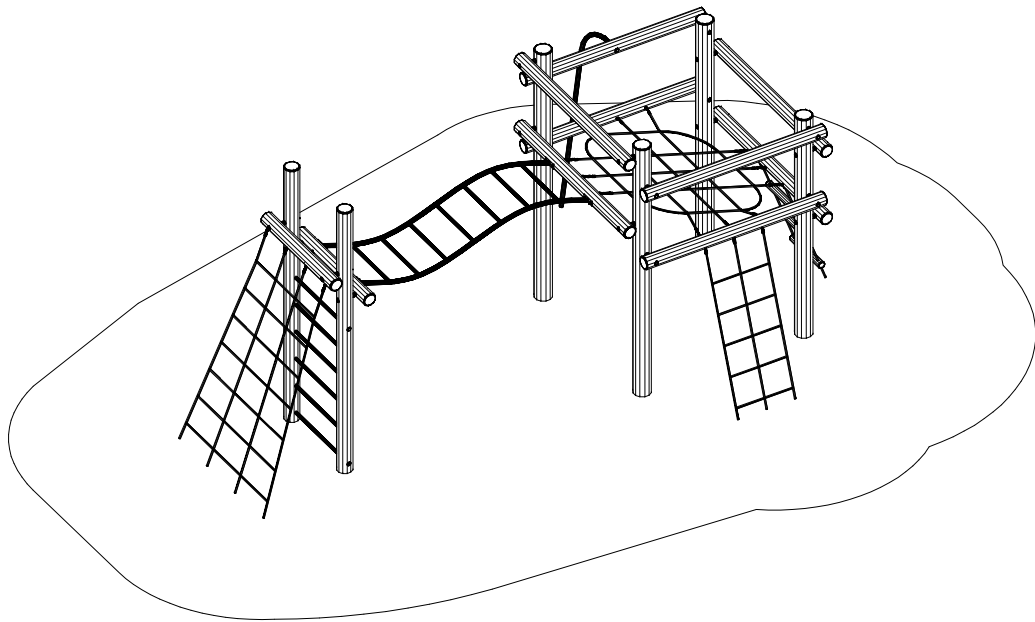


<b>NORLEG</b>	
2 til 4	
LE 20420	
30.01.2015	REV. -

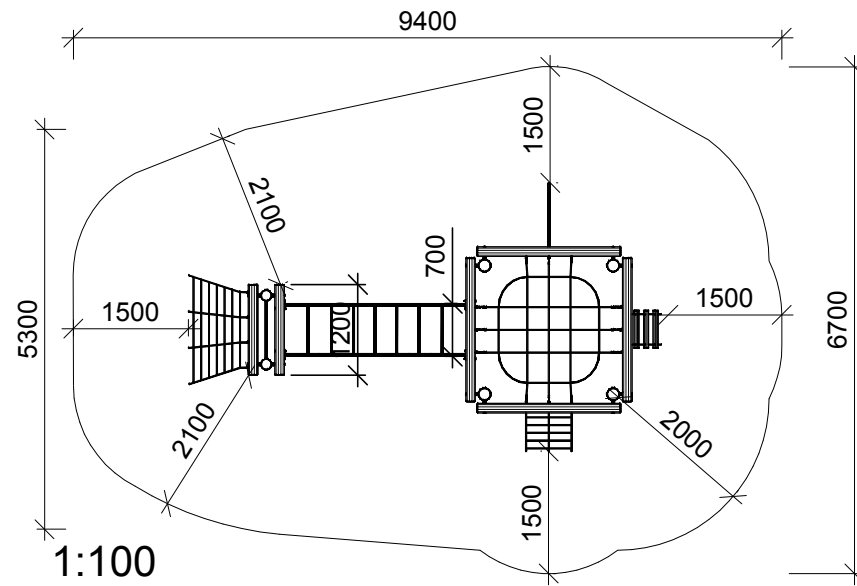
< 2300



≥ EN 1176



1:100

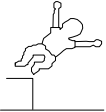


1:100

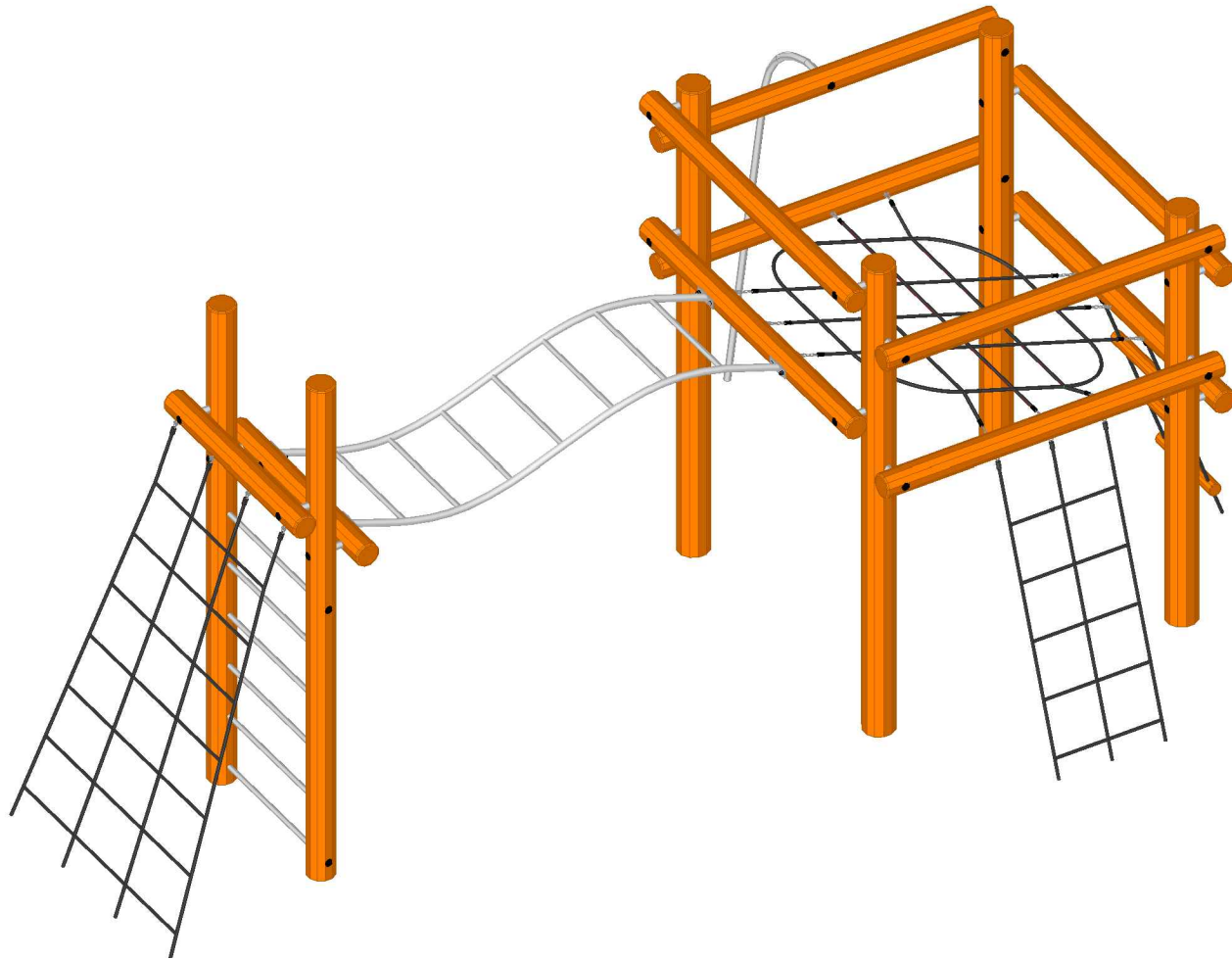
This drawing is the property of NORLEG and pursuant to current legislation may not be copied, transferred to or used by any third party. Should this drawing be used, a fee of 10% of the assumed contract price will be charged.

NORLEG - 3D	
2 til 4	
LE 20420	
30.01.2015	REV. -

< 2300

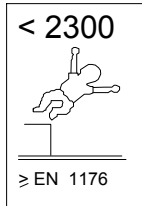


≥ EN 1176



This drawing is the property of NORLEG and pursuant to current legislation may not be copied, transferred to or used by any third party. Should this drawing be used, a fee of 10% of the assumed contract price will be charged.

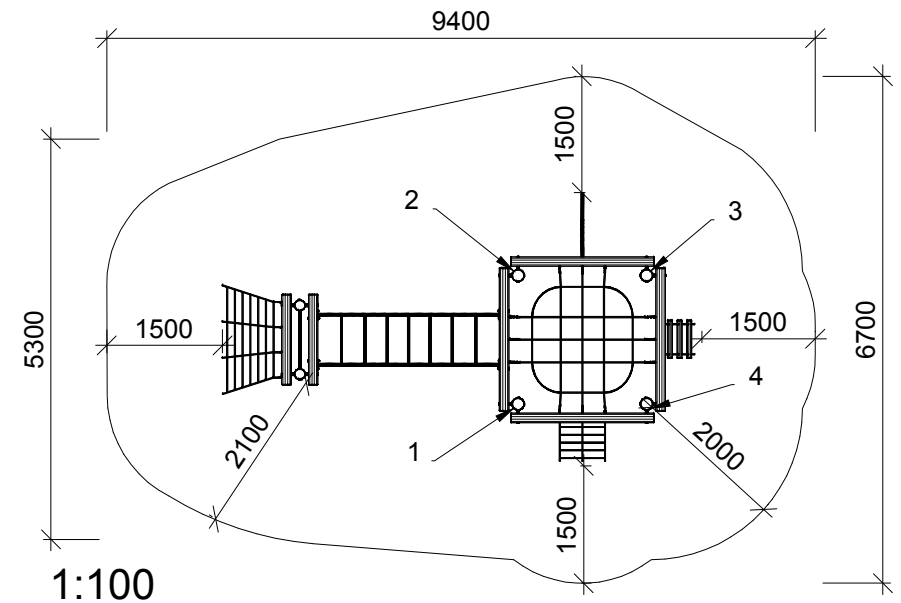
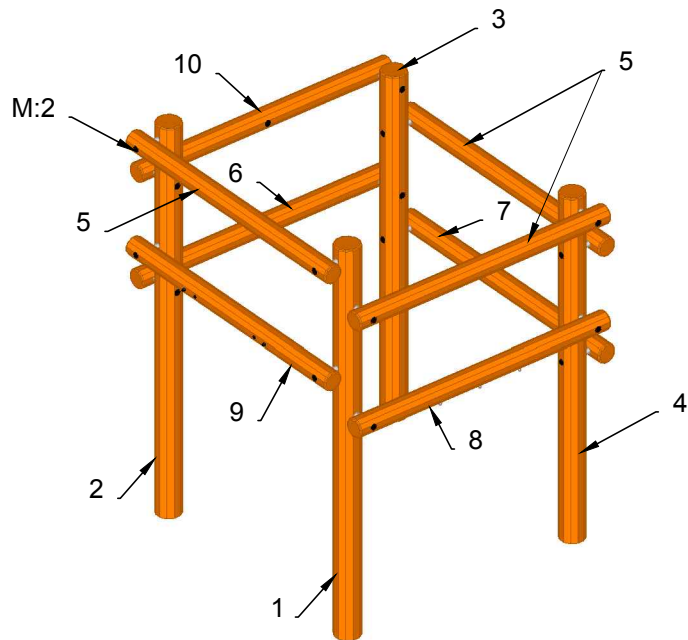
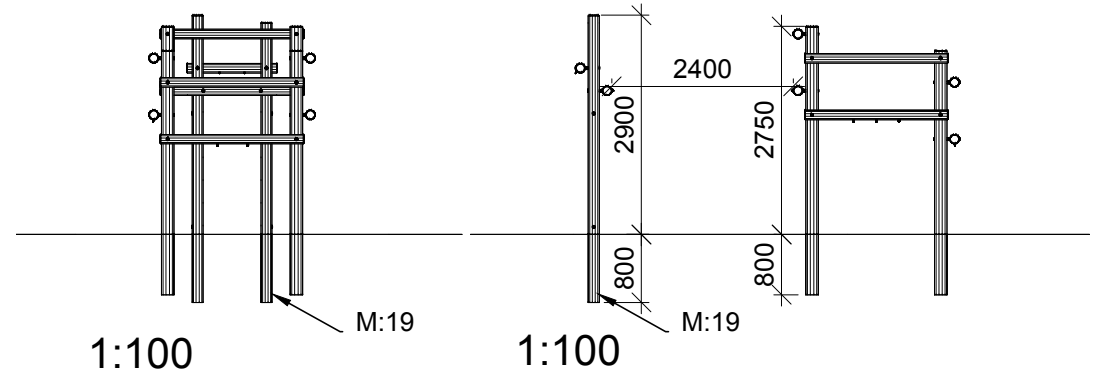
<b>NORLEG</b> - Mont.	
2 til 4	
LE 20420	
30.01.2015	REV. -



Mont.p. nr.

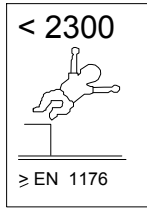
2  
19

Parts list		
Mrk.	QTY	Part.no
1	1	160-180-3550
2	1	160-180-3550
3	1	160-180-3230
4	1	160-180-3230
5	3	120-140-1900
6	1	120-140-1900
7	1	120-140-1900
8	1	120-140-1900
9	1	120-140-1900
10	1	120-140-1900



This drawing is the property of NORLEG and pursuant to current legislation may not be copied, transferred to or used by any third party. Should this drawing be used, a fee of 10% of the assumed contract price will be charged.

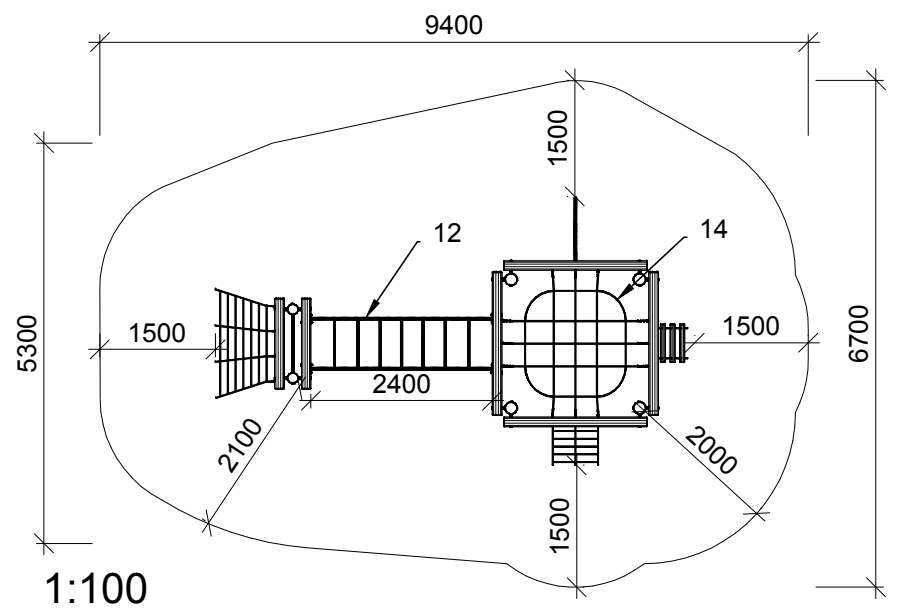
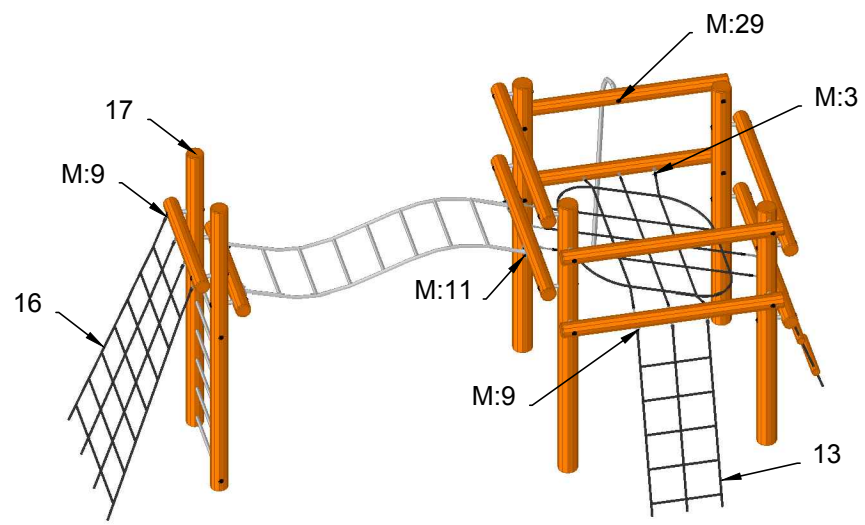
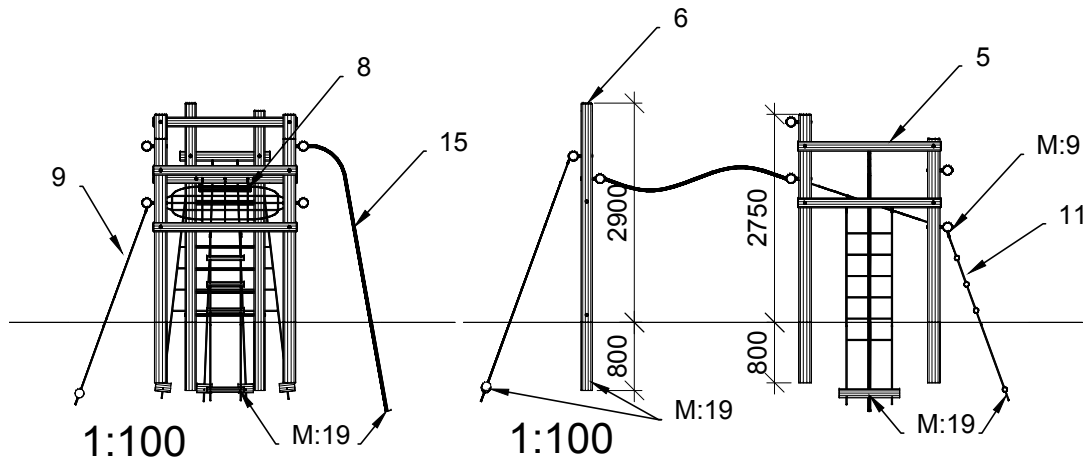
<b>NORLEG</b> - Mont.	
2 til 4	
LE 20420	
30.01.2015	REV. -



Mont.p. nr.

- 3
- 9
- 11
- 19
- 29

Parts list		
Mrk.	QTY	Part.no
11	1	LE 20364
12	1	LE 21121
13	1	LE 26022
14	1	LE 26004
15	1	LE 20370
16	1	LE 26020
17	1	LE 20310



This drawing is the property of NORLEG and pursuant to current legislation may not be copied, transferred to or used by any third party. Should this drawing be used, a fee of 10% of the assumed contract price will be charged.