
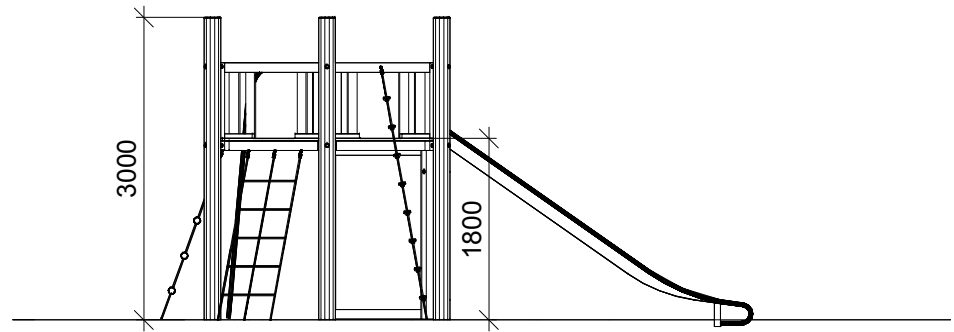
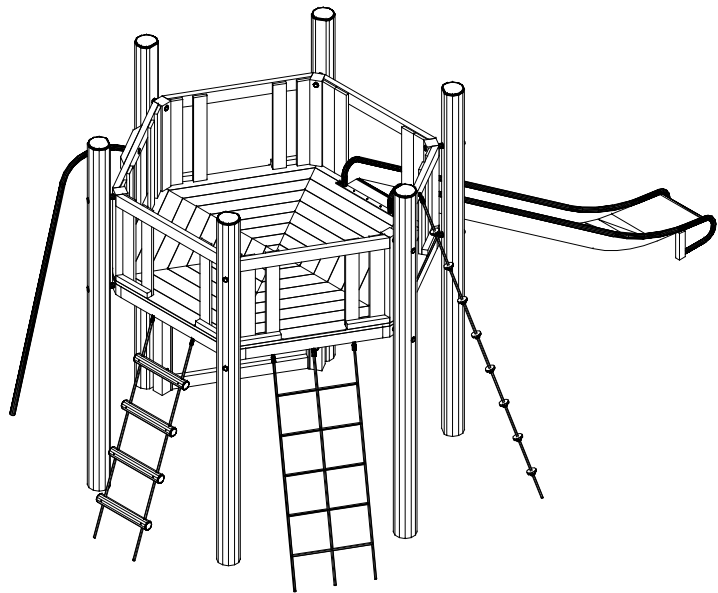


| | |
|----------------------------------|-----------------|
| NORLEG | |
| Klatresystem 6 m. gulv og r-bane | |
| LE 20417 | |
| 16.12.2011 | REV. 02.11.2015 |

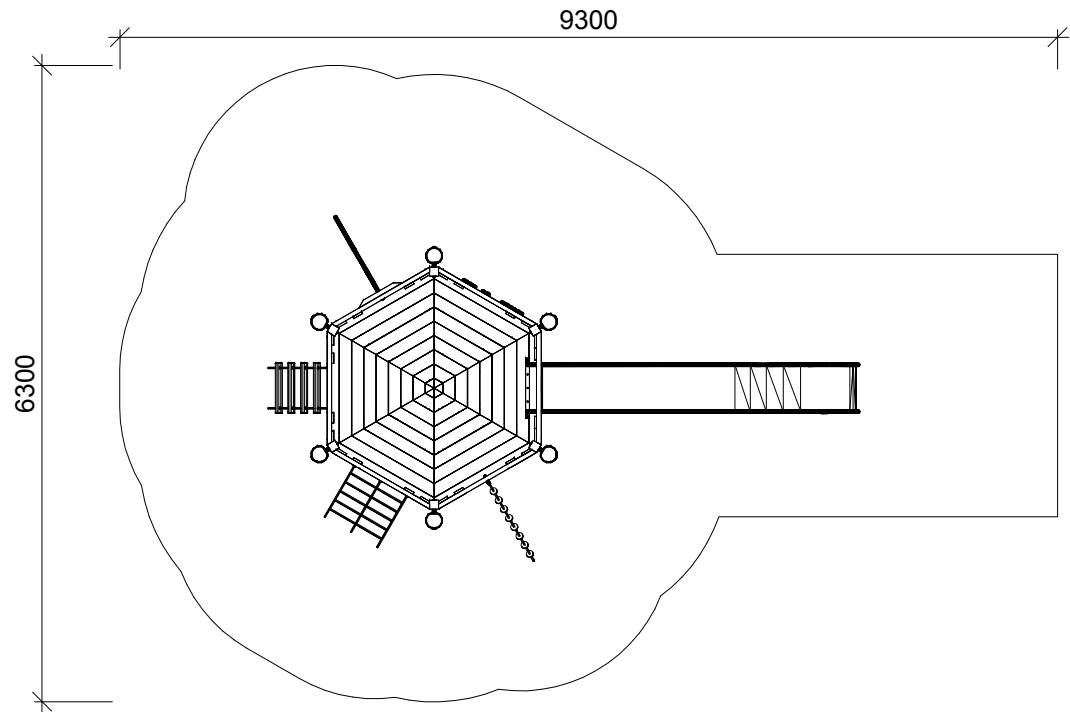
< 1800



≥ EN 1176



1:75



1:75

This drawing is the property of NORLEG and pursuant to current legislation may not be copied, transferred to or used by any third party. Should this drawing be used, a fee of 10% of the assumed contract price will be charged.

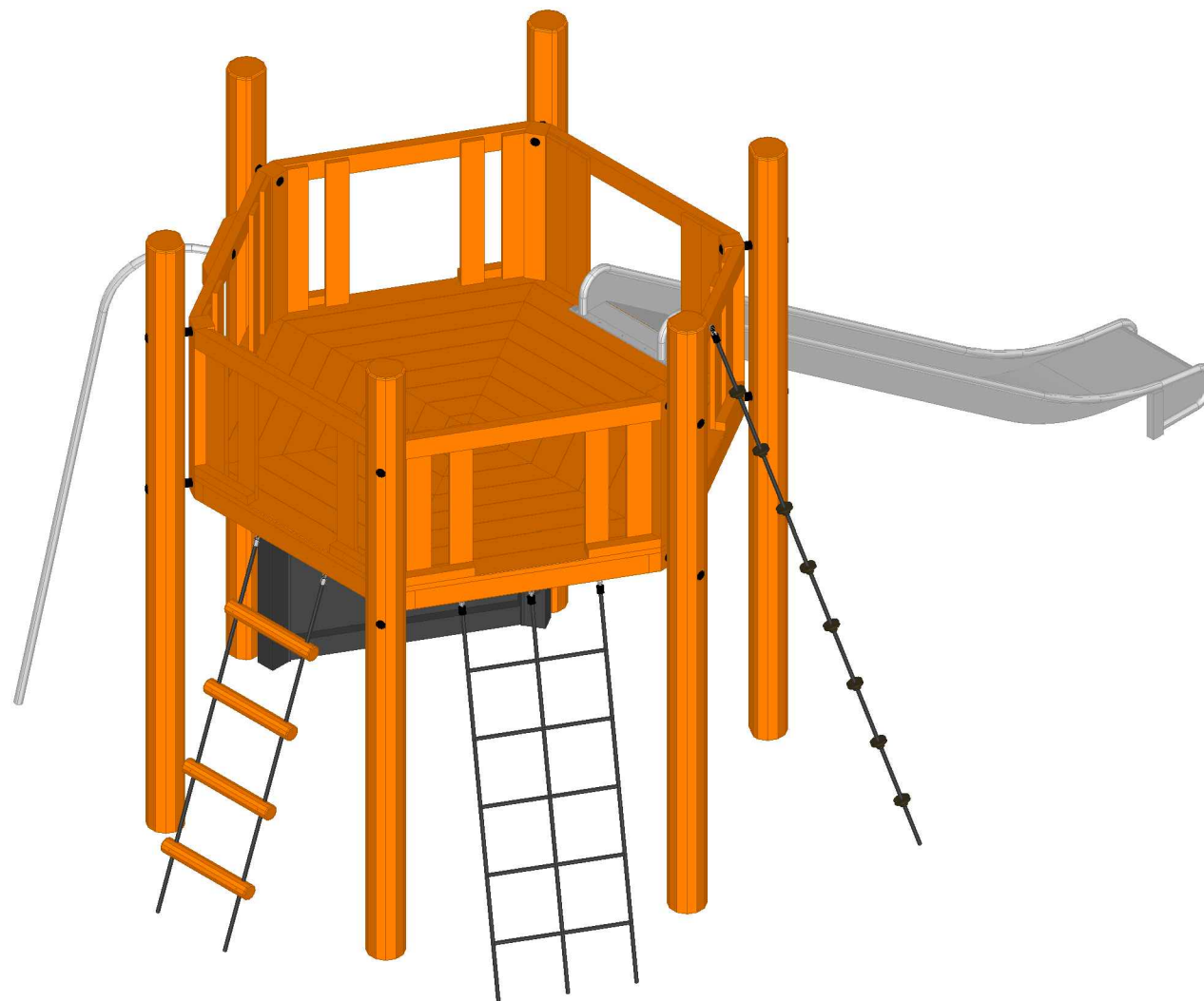
NORLEG - 3D

Klatresystem 6 m. gulv og r-bane

LE 20417


16.12.2011

REV. 02.11.2015

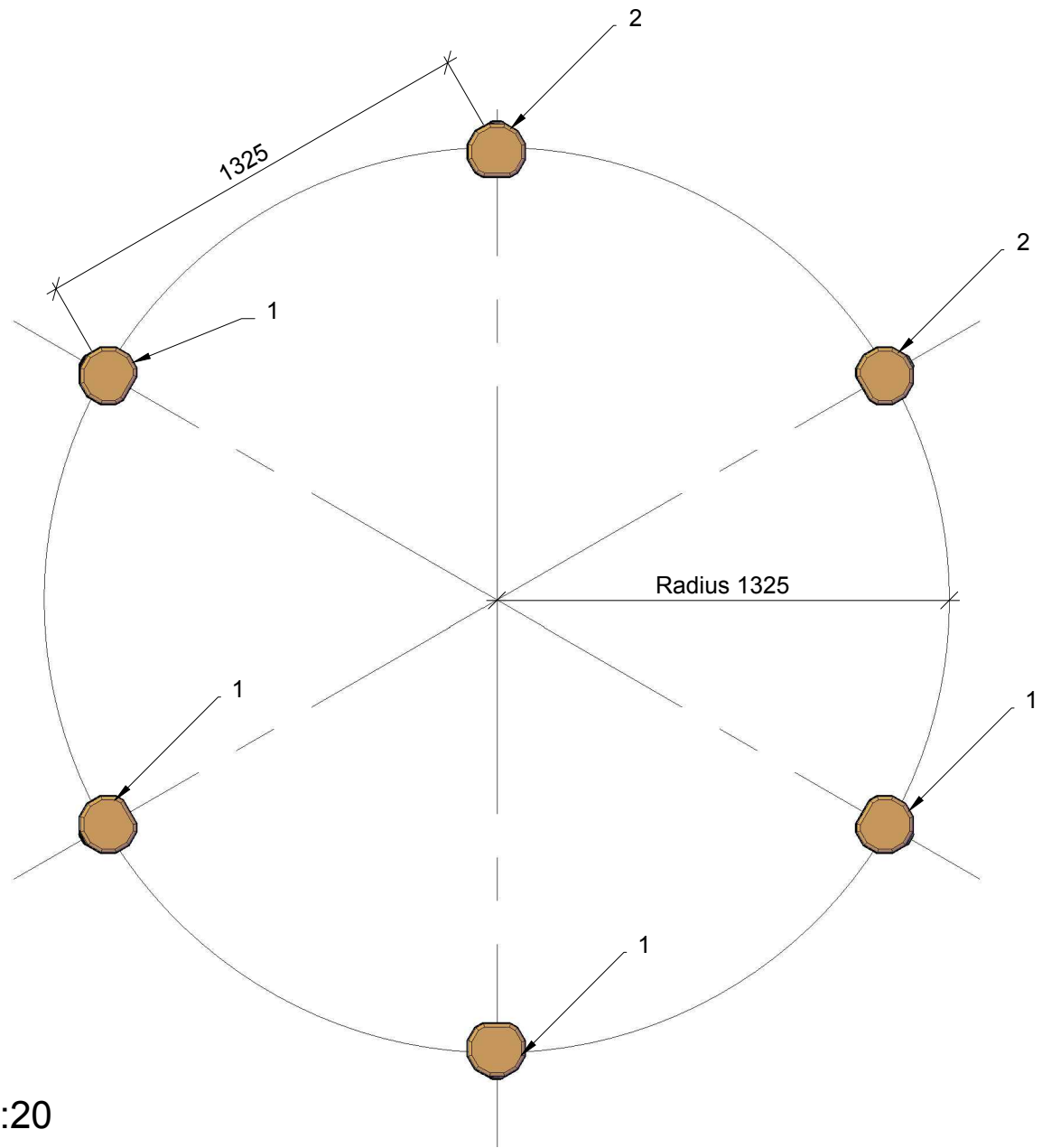


| | |
|----------------------------------|-----------------|
| NORLEG - Mont. | |
| Klatresystem 6 m. gulv og r-bane | |
| LE 20417 | |
| 16.12.2011 | REV. 02.11.2015 |

< 1800



≥ EN 1176




1:20

This drawing is the property of NORLEG and pursuant to current legislation may not be copied, transferred to or used by any third party. Should this drawing be used, a fee of 10% of the assumed contract price will be charged.

| | |
|----------------------------------|-----------------|
| NORLEG - Mont. | |
| Klatresystem 6 m. gulv og r-bane | |
| LE 20417 | |
| 16.12.2011 | REV. 02.11.2015 |

< 1800

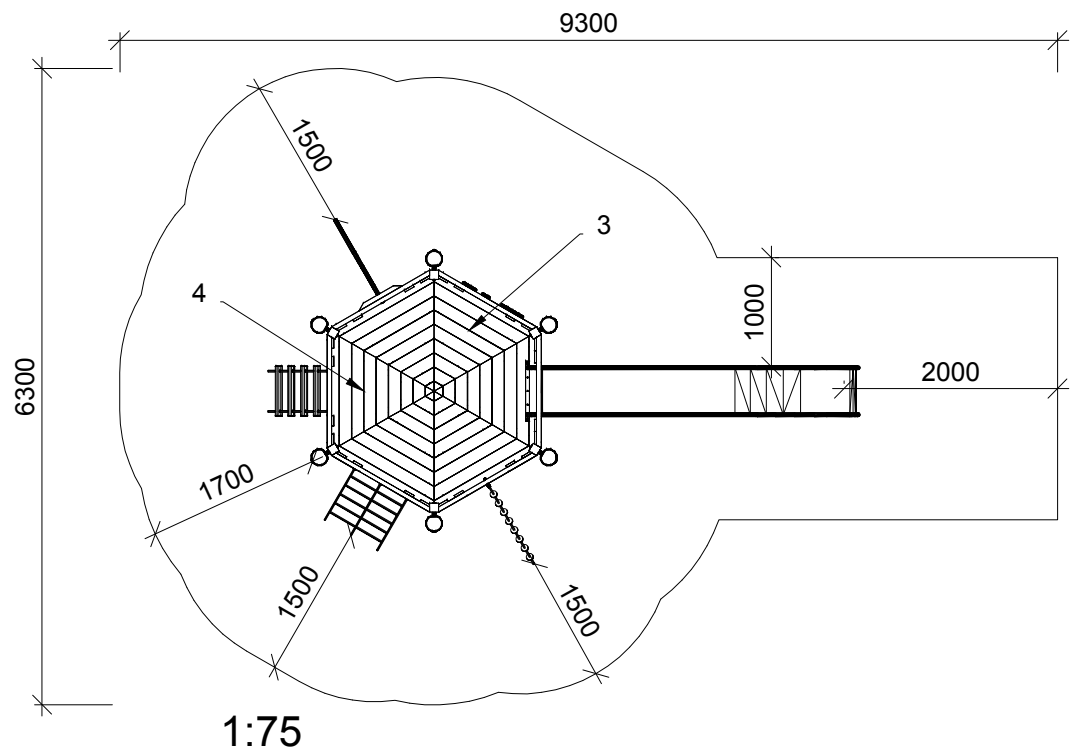
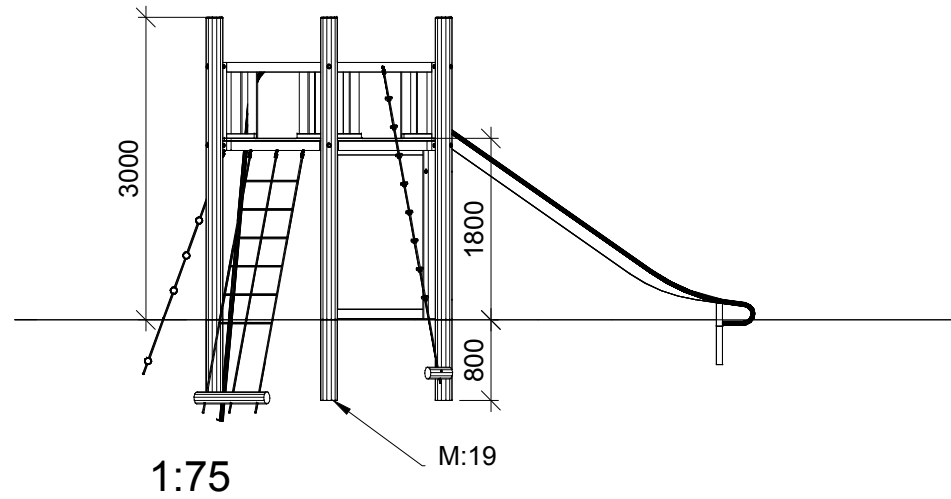
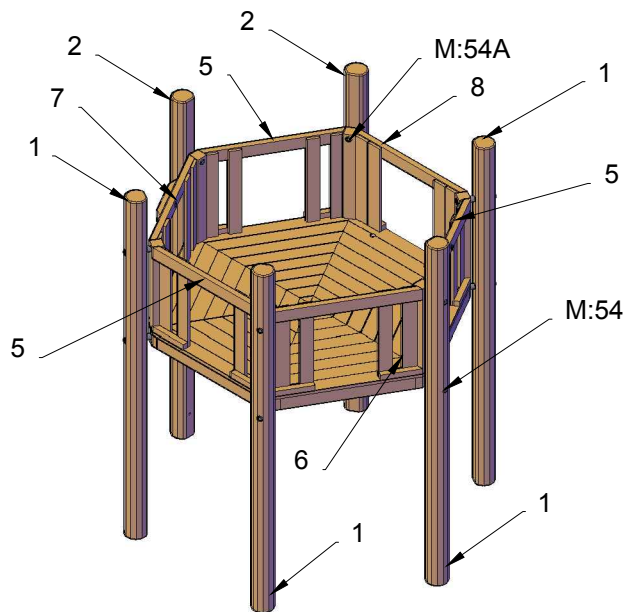


≥ EN 1176

Mont.p. nr.

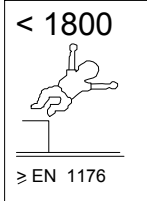
19
54
54A

| Parts list | | |
|------------|-----|--------------|
| Mrk. | QTY | Part.no |
| 1 | 4 | 160-180-3800 |
| 2 | 2 | 160-180-3800 |
| 3 | 1 | Floor 1 |
| 4 | 1 | Floor 2 |
| 5 | 3 | Railing |
| 6 | 1 | Railing |
| 7 | 1 | Railing |
| 8 | 2 | Railing |



This drawing is the property of NORLEG and pursuant to current legislation may not be copied, transferred to or used by any third party. Should this drawing be used, a fee of 10% of the assumed contract price will be charged.

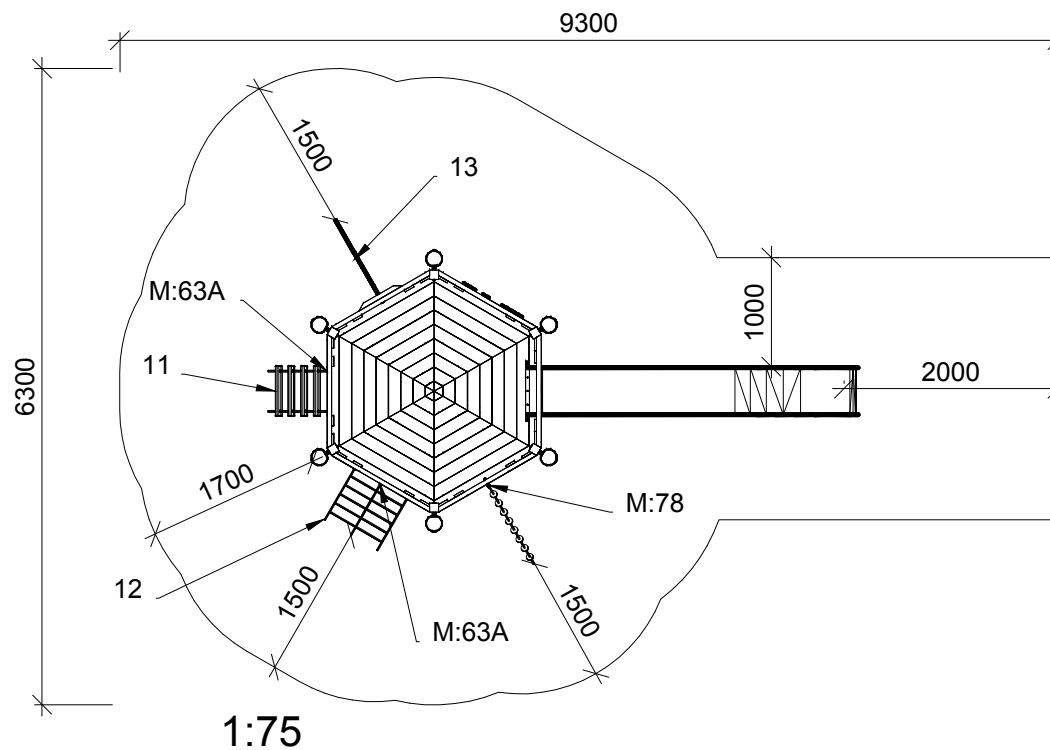
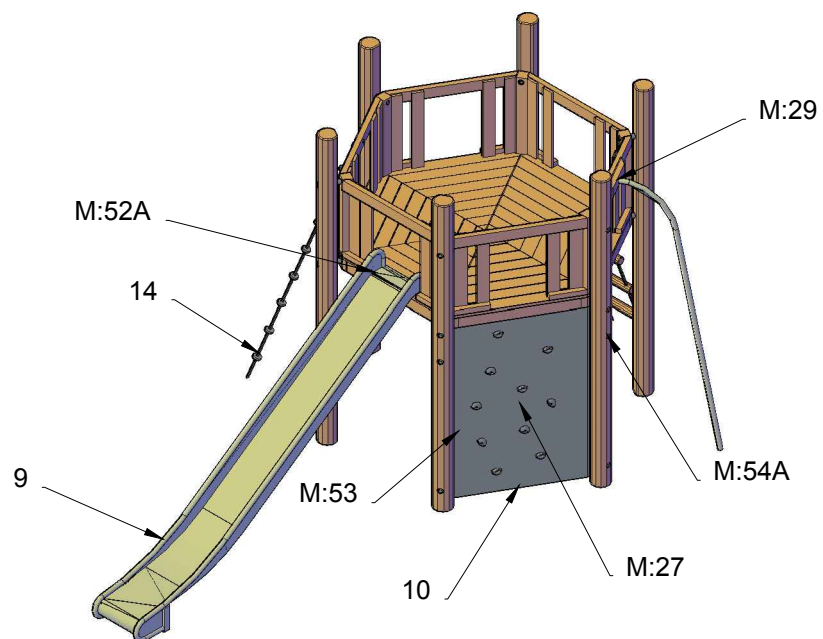
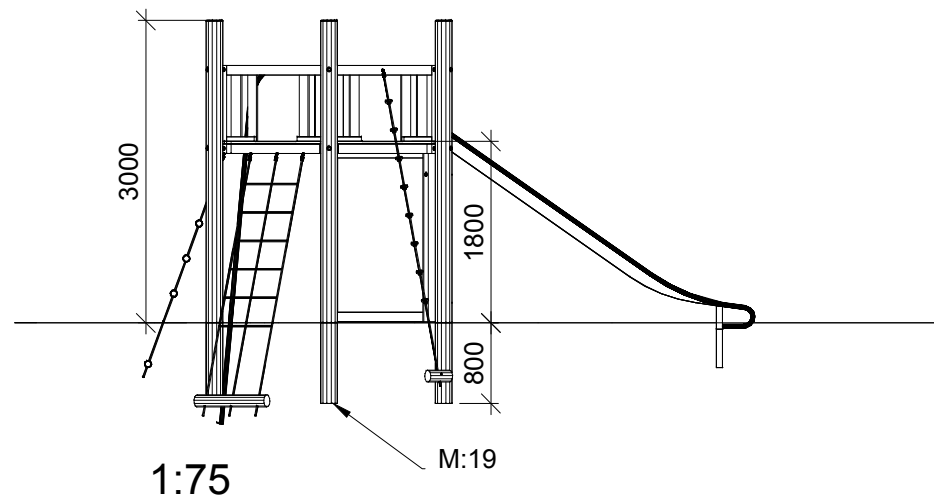
| | |
|----------------------------------|-----------------|
| NORLEG - Mont. | |
| Klatresystem 6 m. gulv og r-bane | |
| LE 20417 | |
| 16.12.2011 | REV. 02.11.2015 |



Mont.p. nr.

- 19
- 27
- 29
- 52A
- 53
- 54A
- 63A
- 78

| Parts list | | |
|------------|-----|----------|
| Mrk. | QTY | Part.no |
| 9 | 1 | LE 22008 |
| 10 | 1 | LE 20360 |
| 11 | 1 | LE 20364 |
| 12 | 1 | LE 20362 |
| 13 | 1 | LE 20370 |
| 14 | 1 | LE 20366 |



This drawing is the property of NORLEG and pursuant to current legislation may not be copied, transferred to or used by any third party. Should this drawing be used, a fee of 10% of the assumed contract price will be charged.