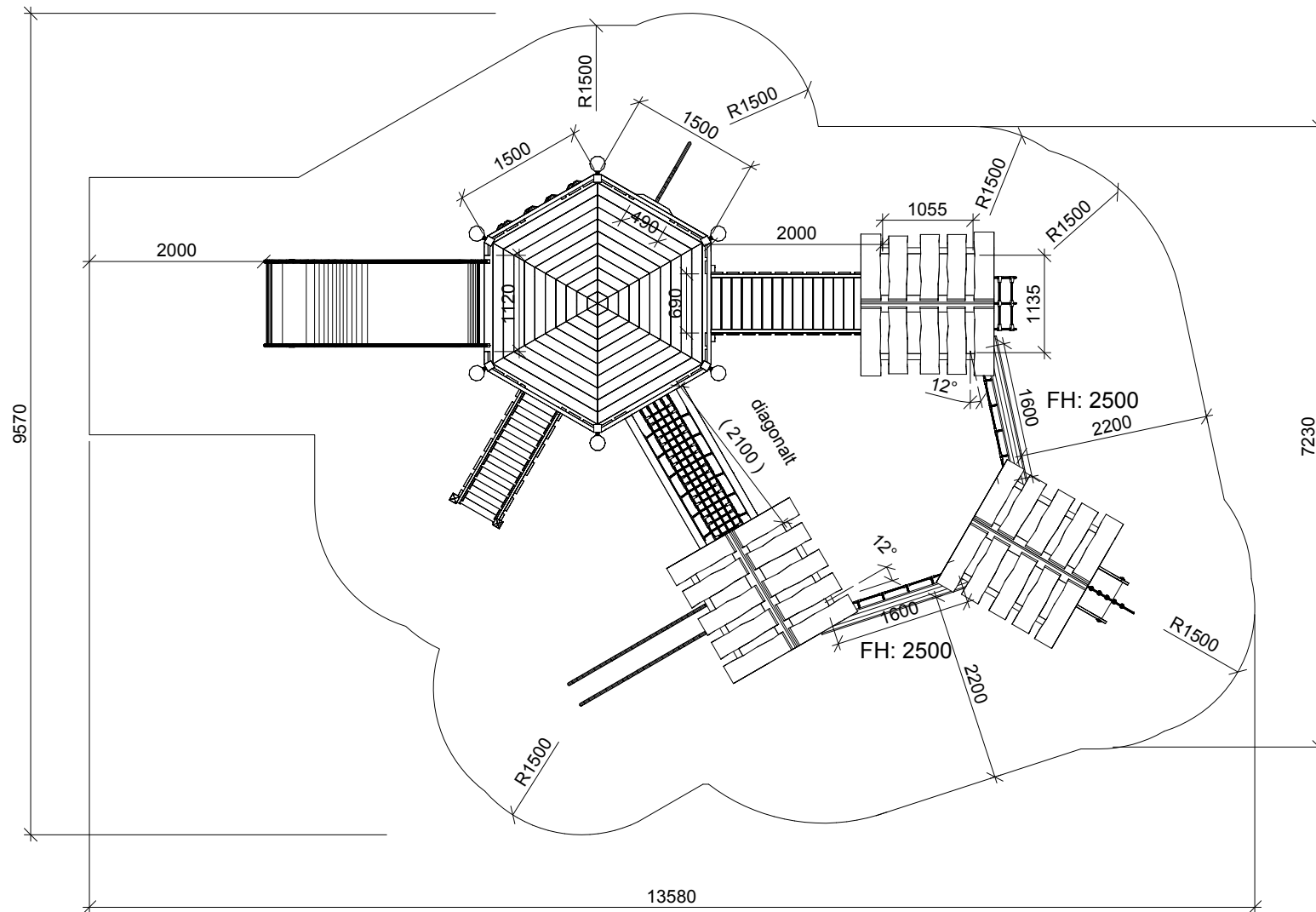
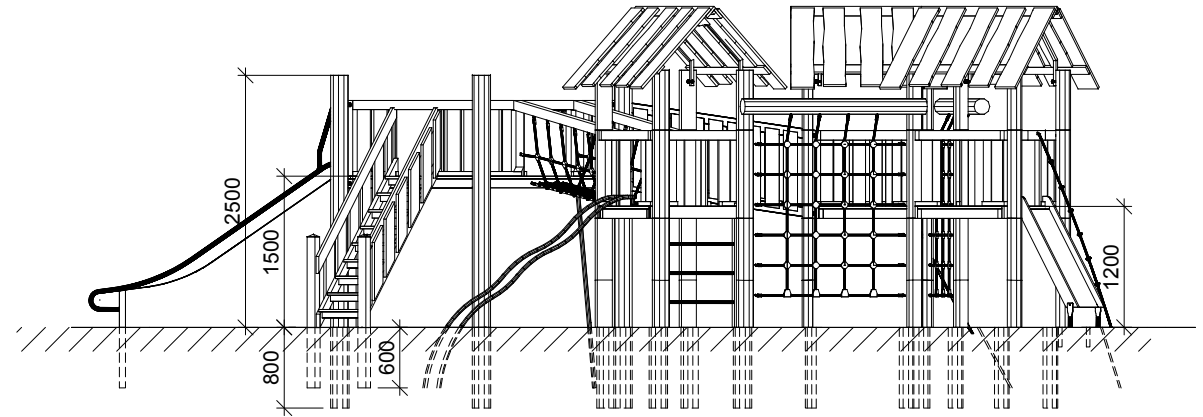
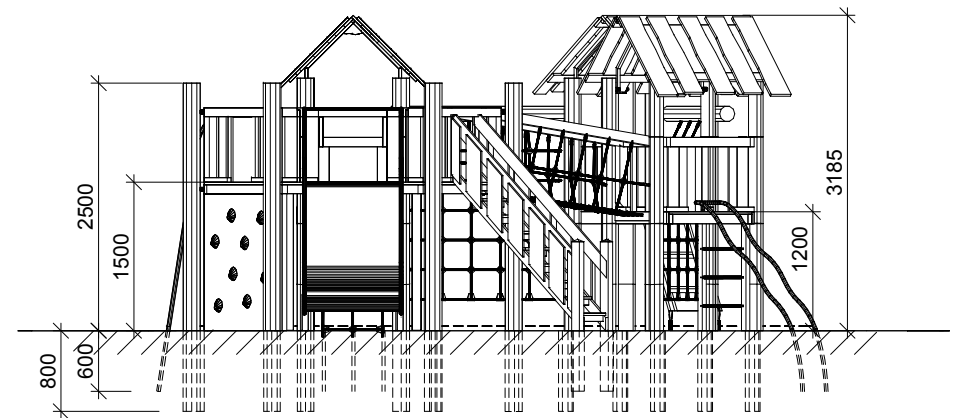


Gummerup		
LE no. 20390	MAIN DRAWING	scale : -





stolper/stål skal støbes fast.



Climbing system 6 with flooring:

Posts diameter = 160/180

Secure floor according to assembly principle 54.

Mount climbing plate according to assembly principle 53.

Mount stairway according to assembly principle 59.

Fireman's pole to be in stainless steel diameter 38 mm.

Mount according to assembly principle 29.

Reinforcement for fireman's pole assembly principle 56.

Install the slide according to assembly principle 52.

Mount net bridge according to assembly principle 9-63.

Mount fixed bridge according to assembly principle 60.

Foundation and marking assembly principle 19.

Concrete required: 1 sack dry concrete / holes for posts as well as equipment.

Free fall height: 1.5 m

Towers:

Posts diameter = 160/180

Bottom to be fastened according to assembly principle 24

Mount net ladder according to assembly principle 63A for nets.

Flue to be stainless steel diameter 38 mm.

Mount according to assembly principle 28.

Mount mountain plate and taifun rope according to assembly principles 57 and 56A.

Reinforcement of tower box assembly principle 56.

Mount vertical net according to assembly principle 4,

joint between boom/tower leg according to assembly principle 61.

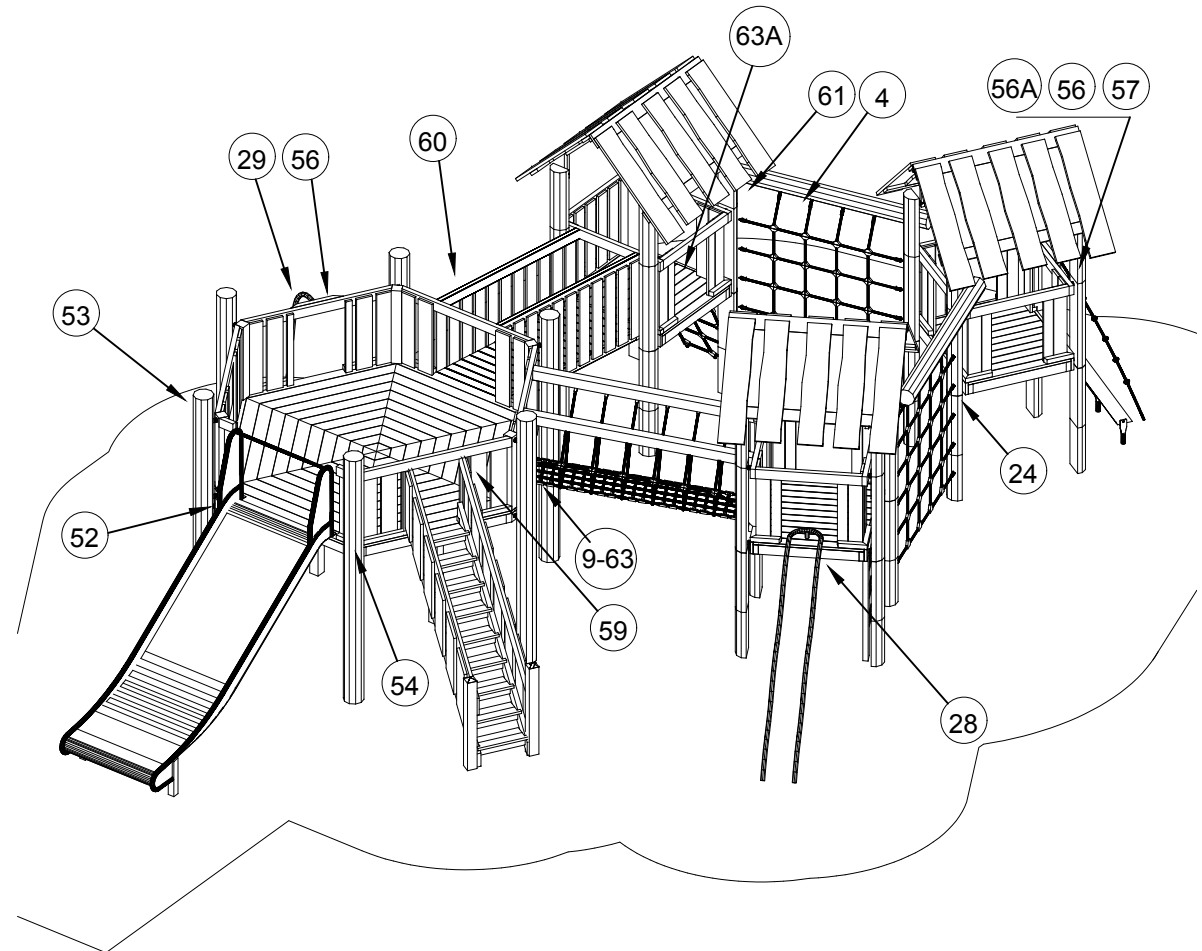
Foundation and marking assembly principle 19.

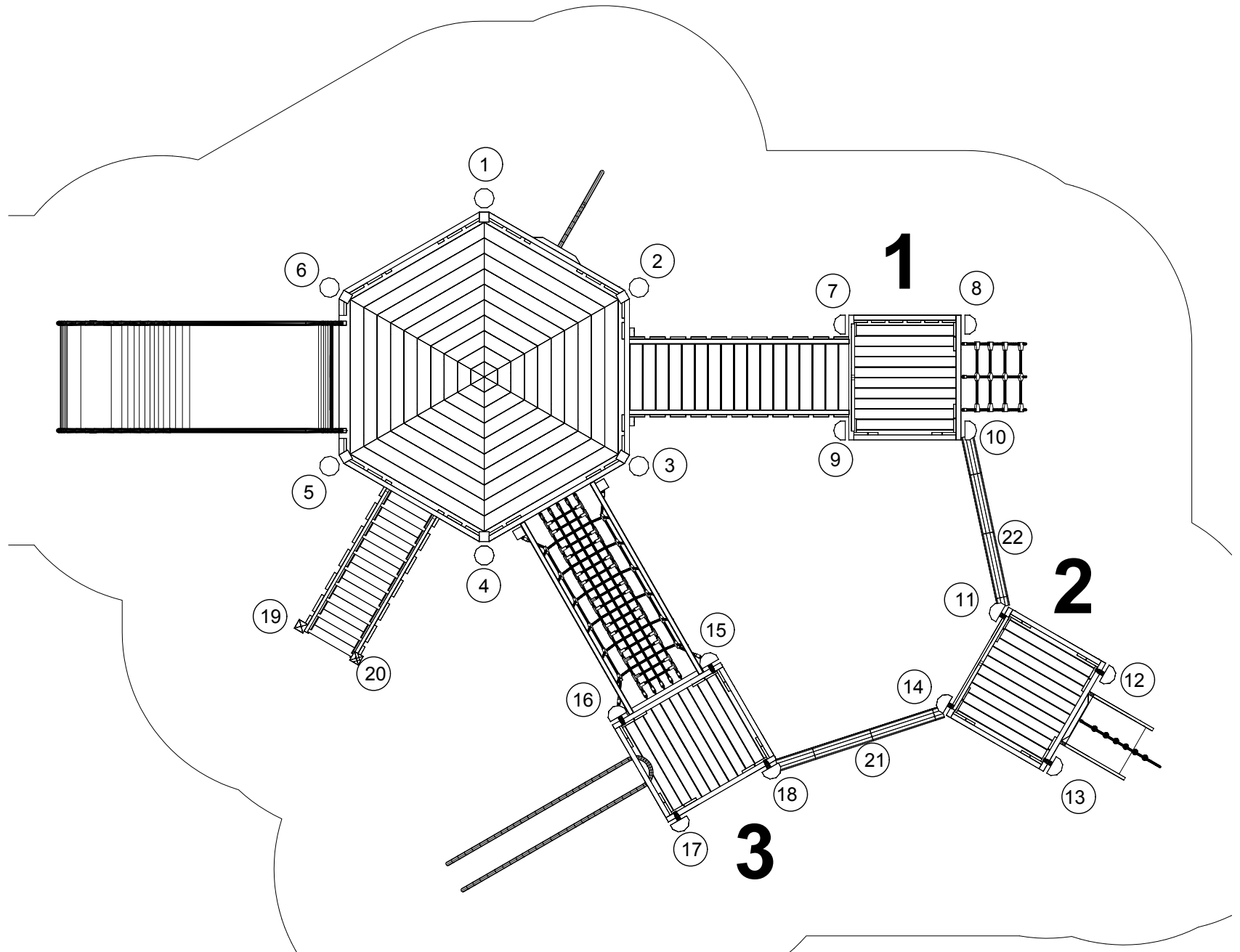
Concrete required: 1 sack dry concrete / holes for posts as well as equipment.

Free-fall height: 1.2 m

Virtual nets between towers:

Free-fall height: 2,5 m

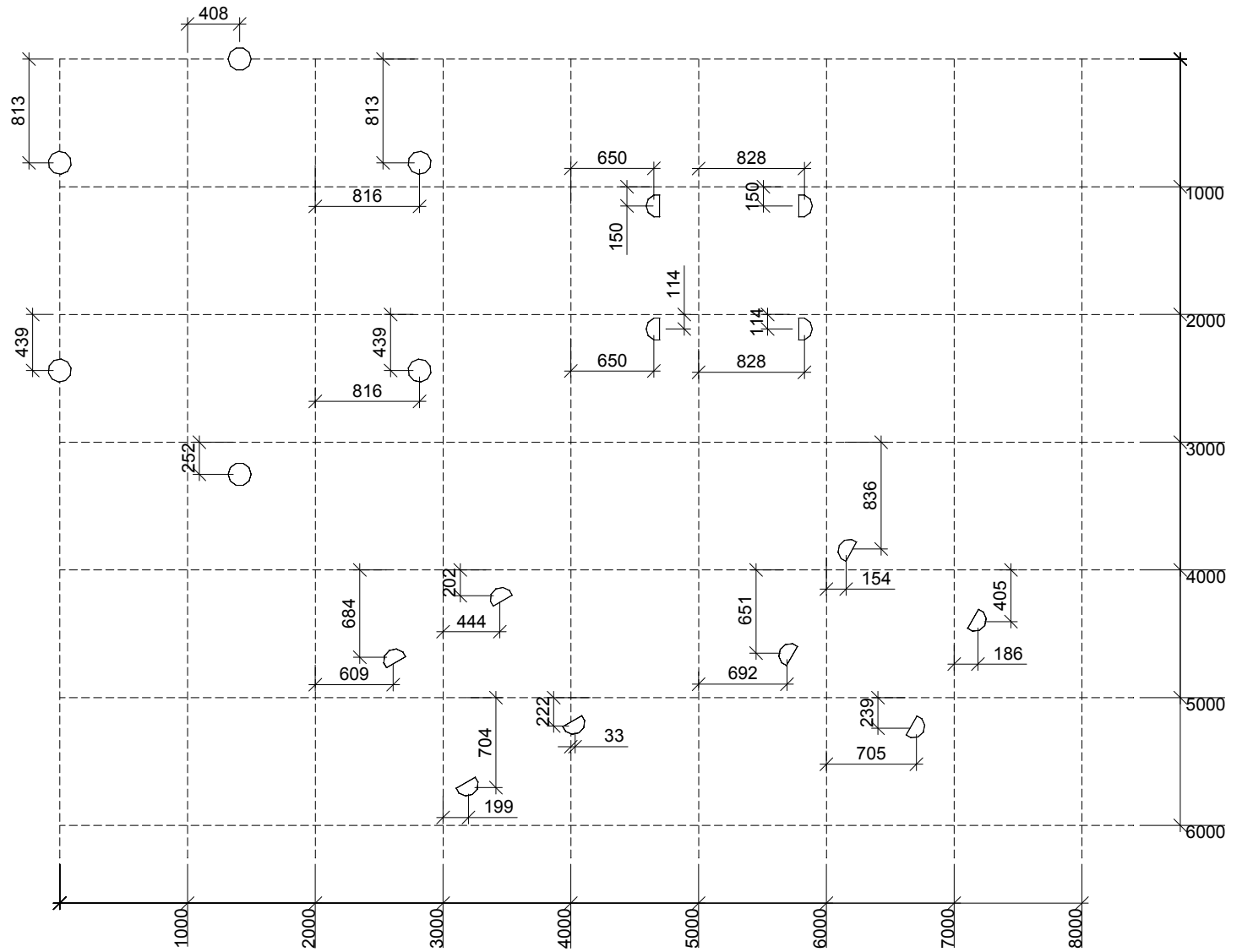




Gummerup		
LE no. 20390	MAIN DRAWING	scale : 1:50

DATE
REV.

14.12.2010
C: 22.05.2015



NORLEG

Gummerup		
LE no. 20390	MAIN DRAWING	scale : -

DATE
REV.

14.12.2010
C: 22.05.2015

