
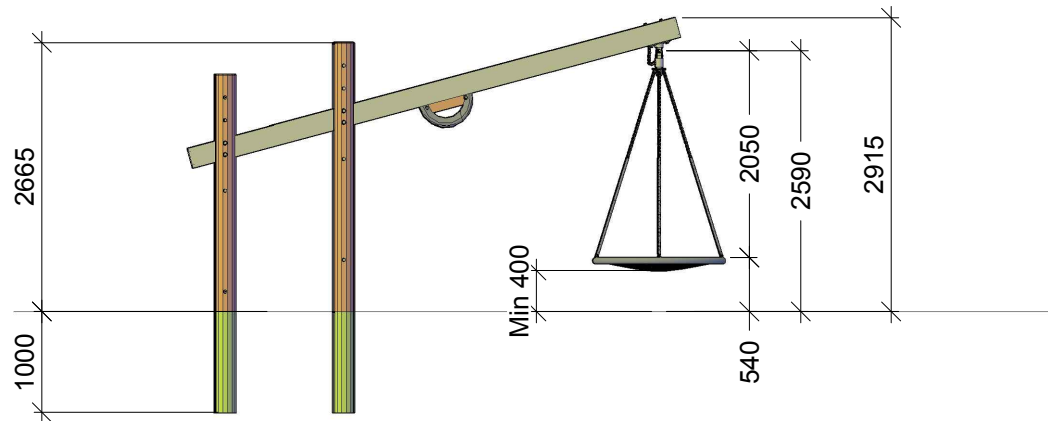
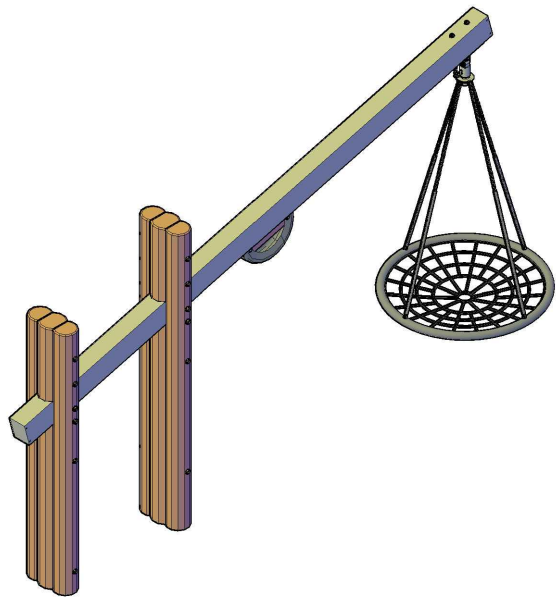


NORLEG	
Girafgyngje med ståloverligger	
LE 20262	
21.09.2016	REV. 29.09.2016

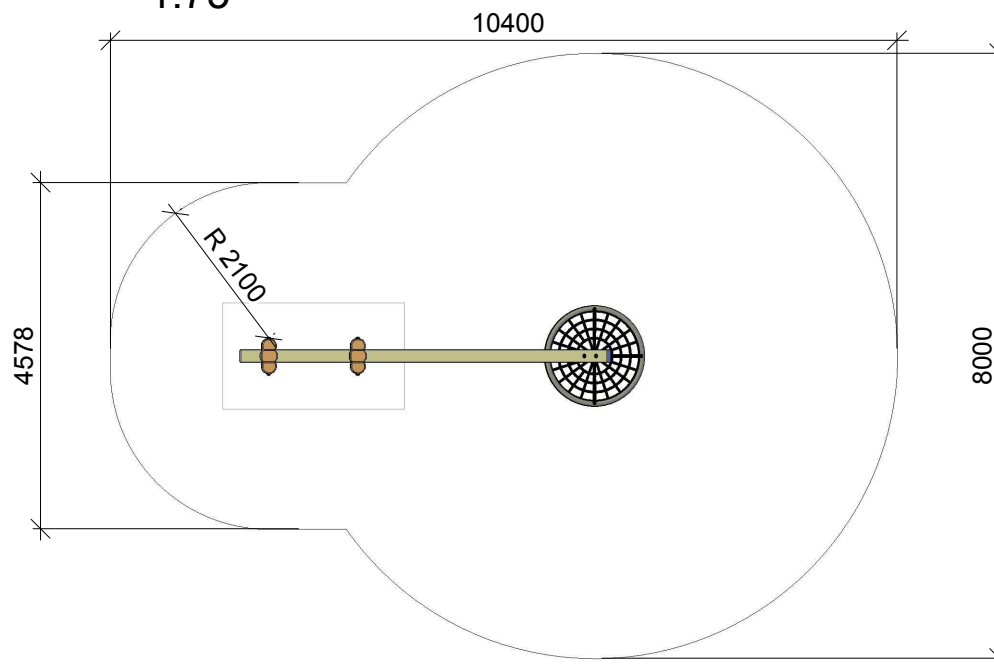
< 1600



≥ EN 1176

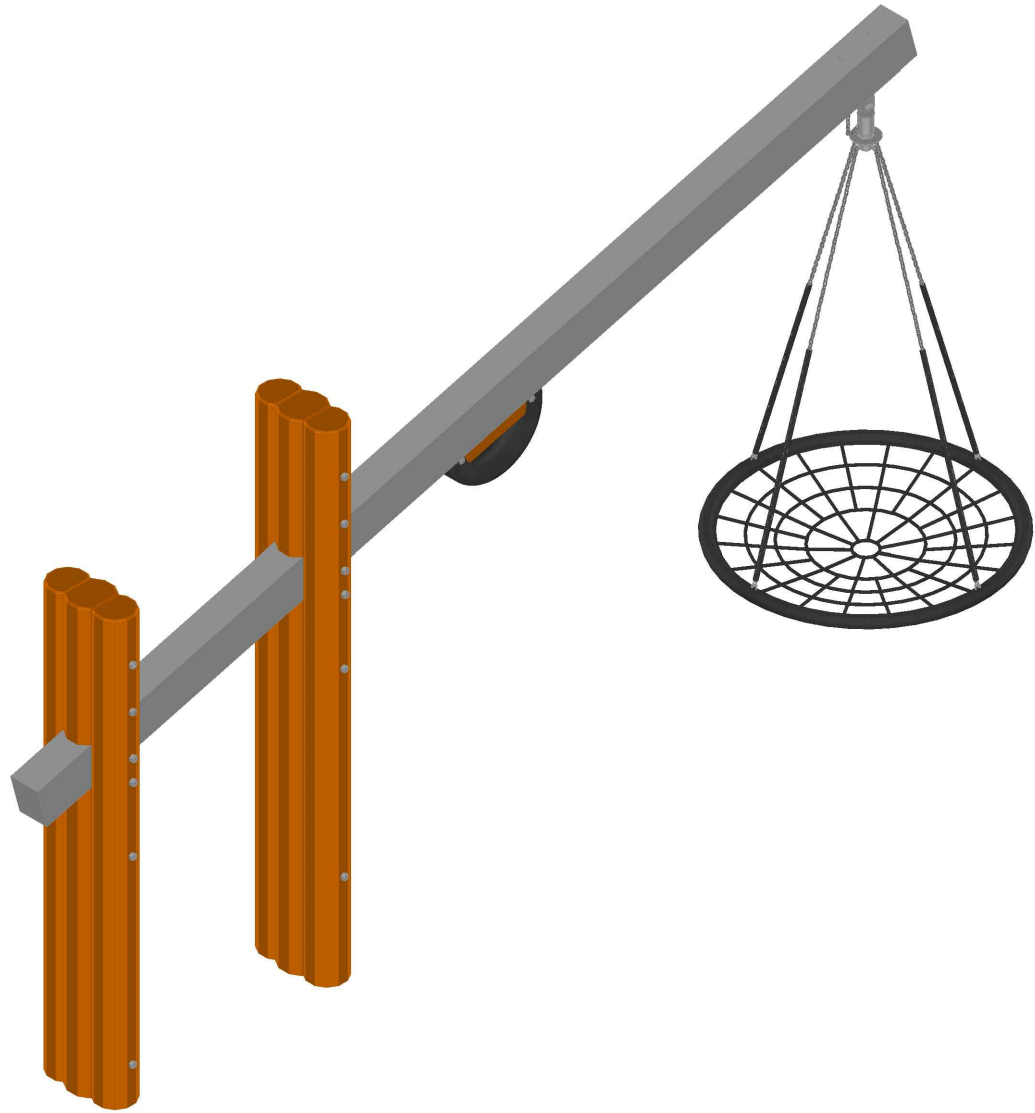


1:75



1:100

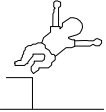
NORLEG - 3D	
Girafgyngе med stålöverligger	
LE 20262	
21.09.2016	REV. 29.09.2016



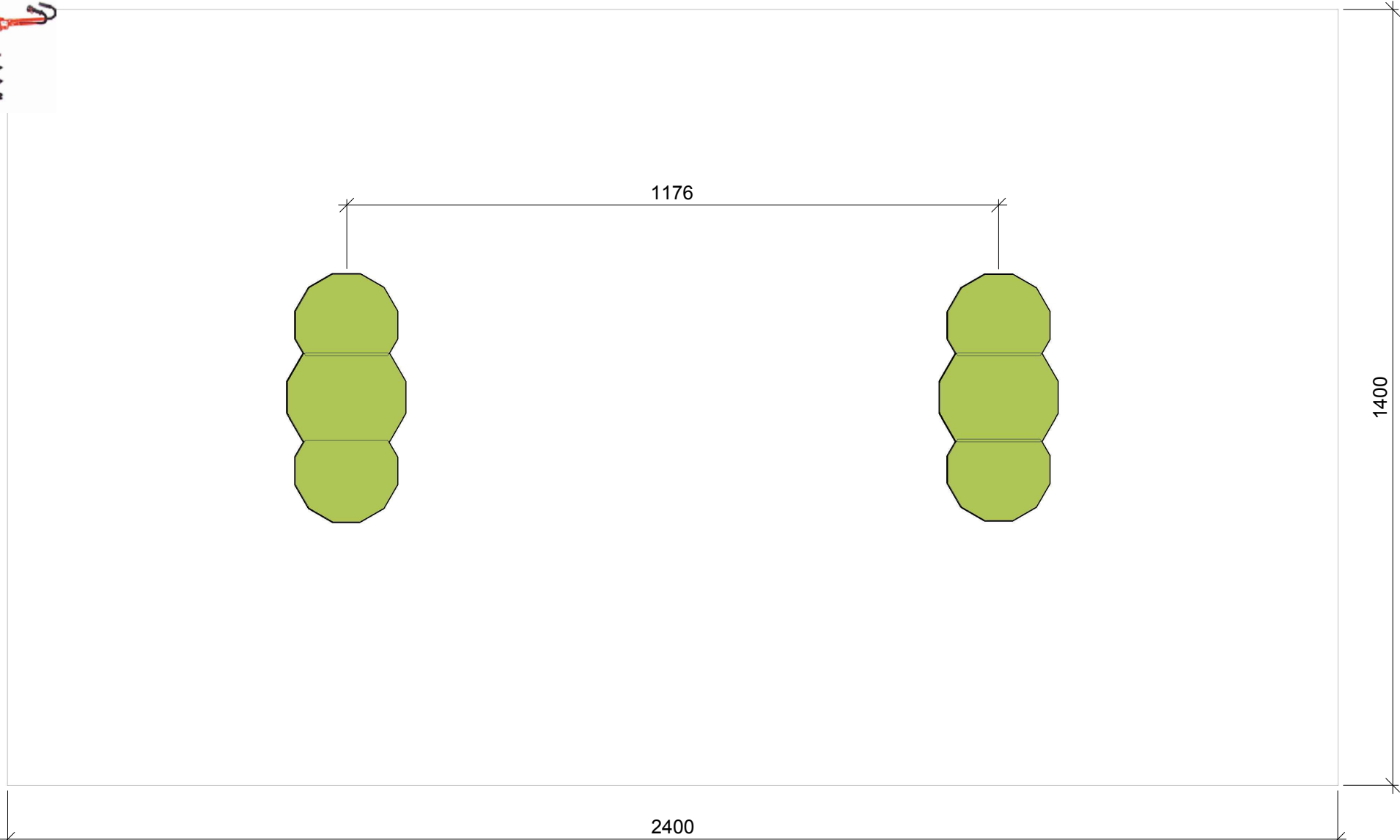
This drawing is the property of NORLEG and pursuant to current legislation may not be copied, transferred to or used by any third party. Should this drawing be used, a fee of 10% of the assumed contract price will be charged.

NORLEG - Mont.	
Girafgyngje med ståloverligger	
LE 20262	
21.09.2016	REV. 29.09.2016

< 1600



≥ EN 1176

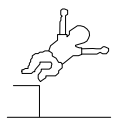


This drawing is the property of NORLEG and pursuant to current legislation may not be copied, transferred to or used by any third party. Should this drawing be used, a fee of 10% of the assumed contract price will be charged.

1:10

NORLEG - Mont.	
Girafgyngje med ståloverligger	
LE 20262	
21.09.2016	REV. 29.09.2016

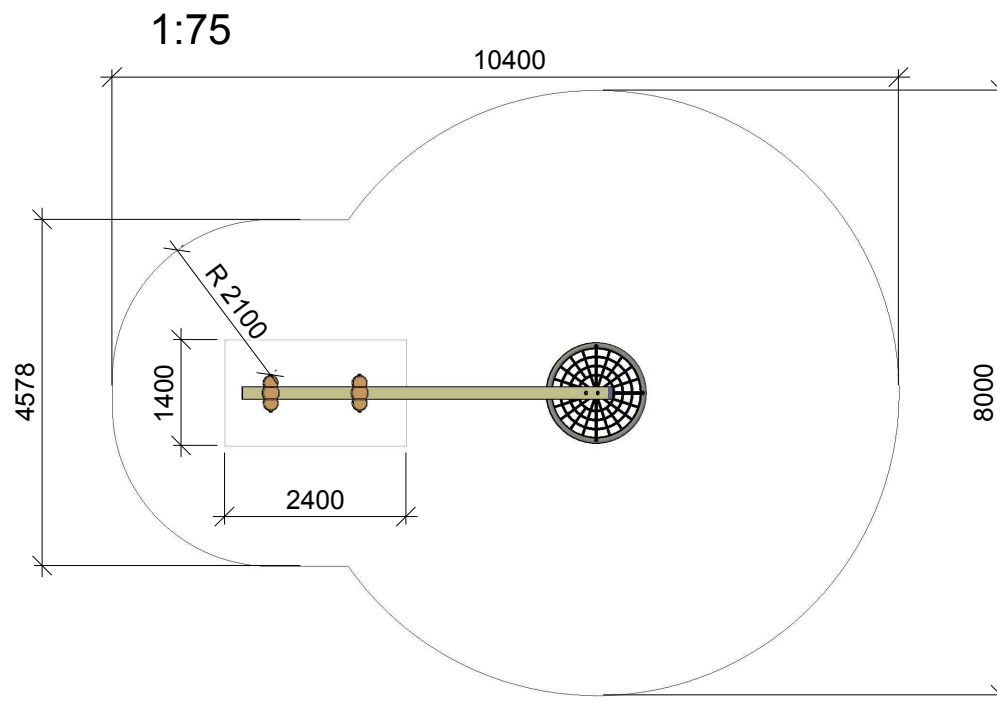
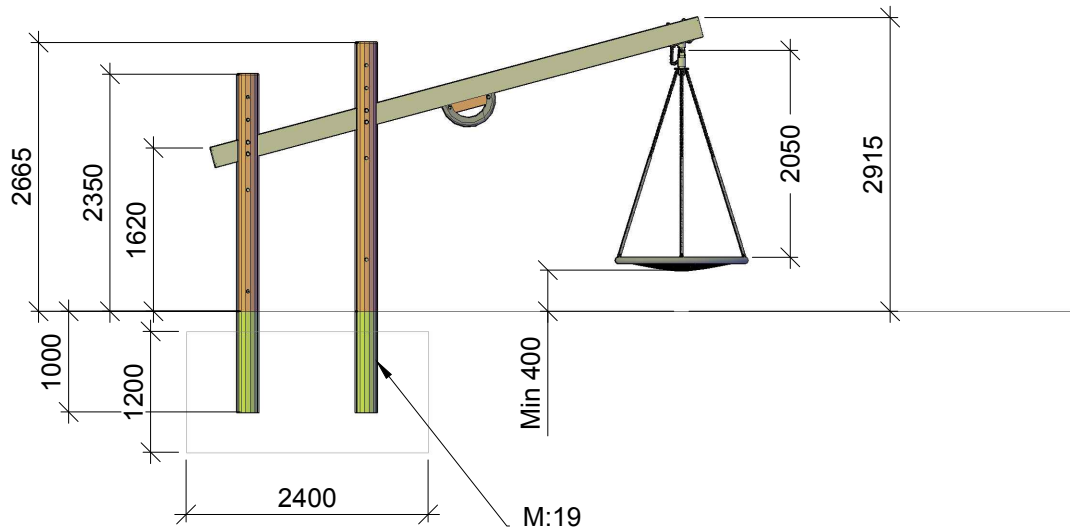
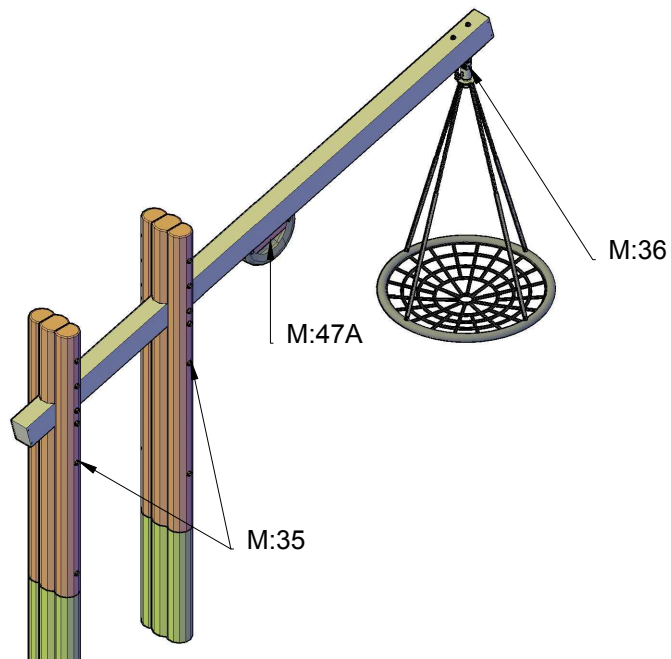
< 1600



≥ EN 1176

Mont.p. nr.

- 19
- 35
- 36
- 47A



1:100