
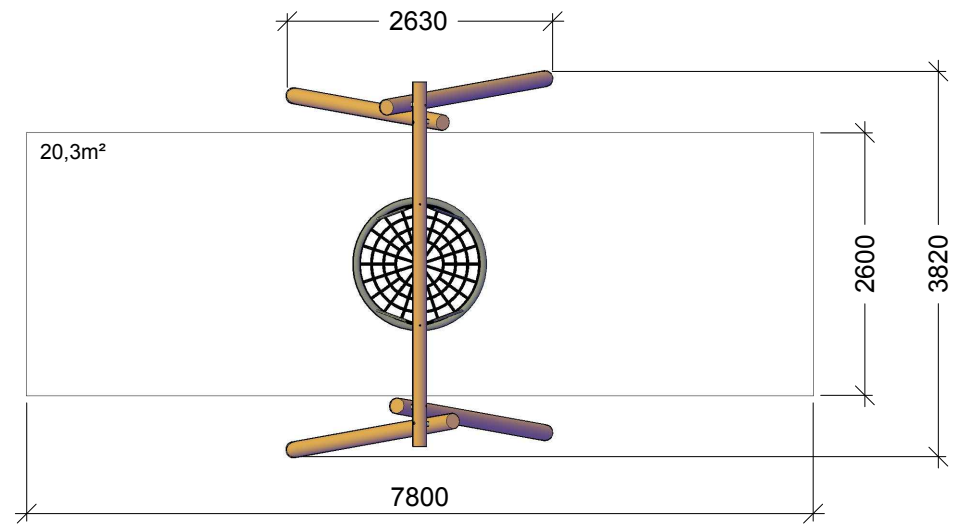
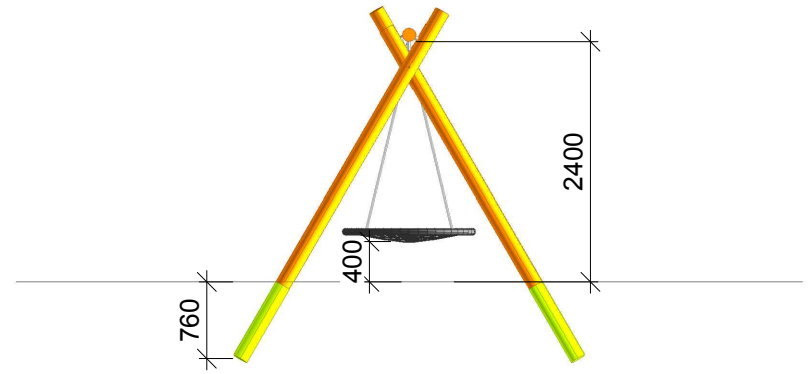


NORLEG	
Robinia gyngye B	
LE 20250	
01.04.2004	REV. I: 12.12.2017

< 1500



≥ EN 1176



1:75

This drawing is the property of NORLEG and pursuant to current legislation may not be copied, transferred to or used by any third party. Should this drawing be used, a fee of 10% of the assumed contract price will be charged.

NORLEG - 3D

Robinia gyngje B

LE 20250

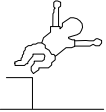
01.04.2004

REV. I: 12.12.2017

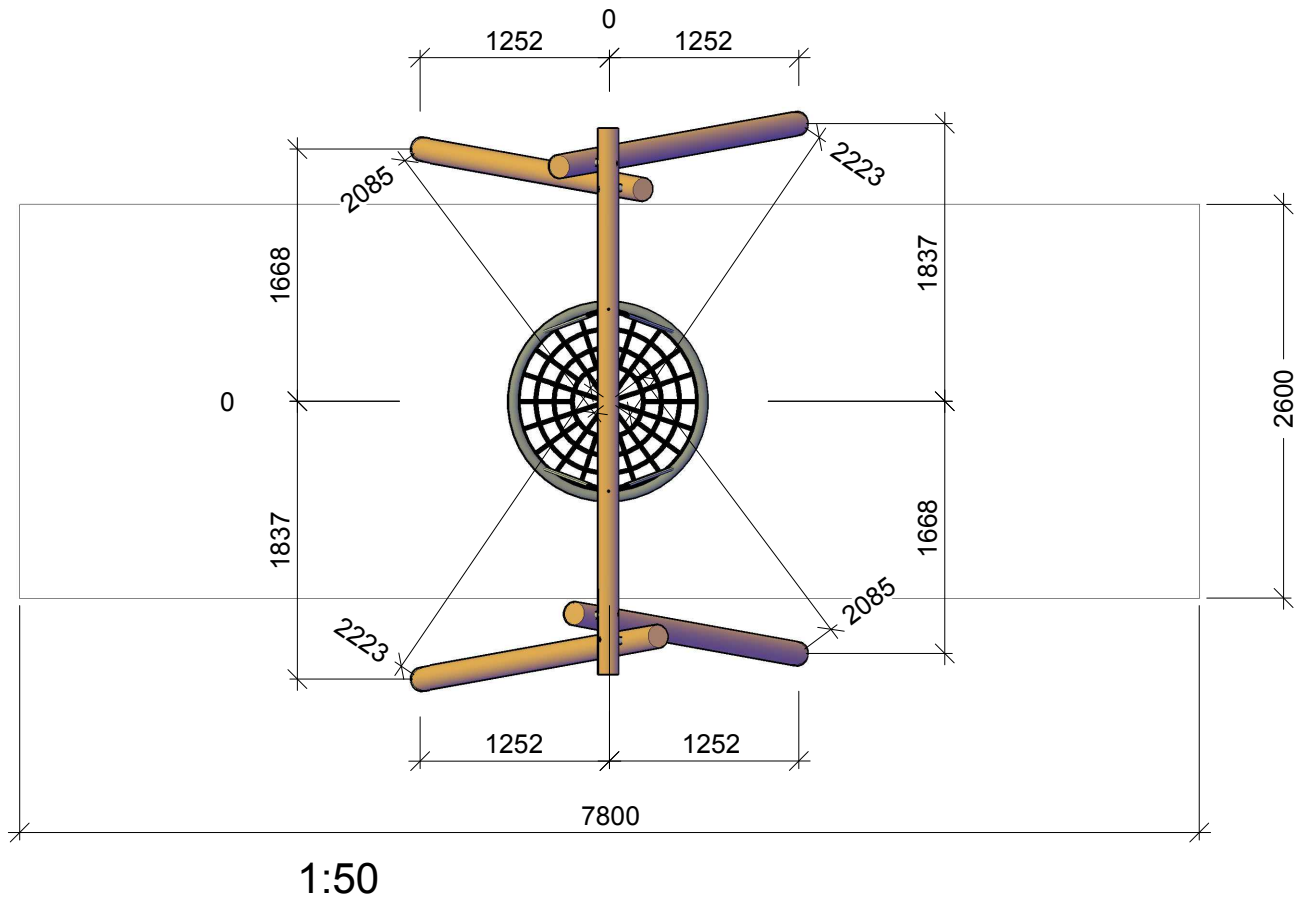


NORLEG - Mont.	
Robinia gyngye B	
LE 20250	
01.04.2004	REV. I: 12.12.2017

< 1500



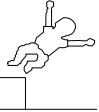
≥ EN 1176



This drawing is the property of NORLEG and pursuant to current legislation may not be copied, transferred to or used by any third party. Should this drawing be used, a fee of 10% of the assumed contract price will be charged.

NORLEG - Mont.	
Robinia gynge B	
LE 20250	
01.04.2004	REV. I: 12.12.2017

< 1500

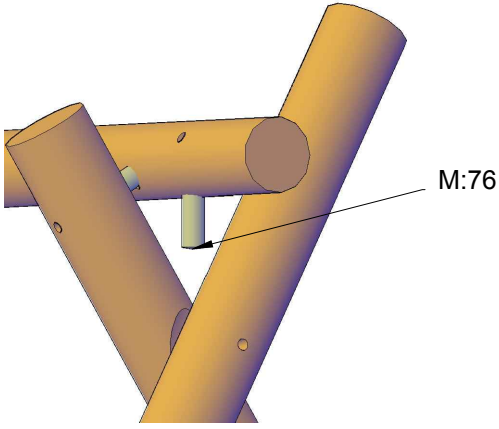


≥ EN 1176

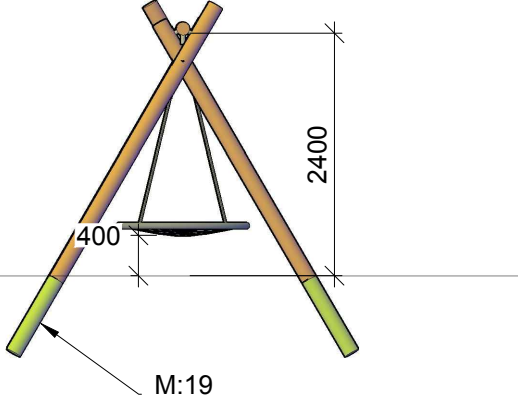
Mont.p. nr.

- M: 18
- M: 19
- M: 76
- M: 84

Parts list		
Mrk.	QTY	Part.no
1	2	140-160-4000
2	2	140-160-3800
3	1	140-160-3600



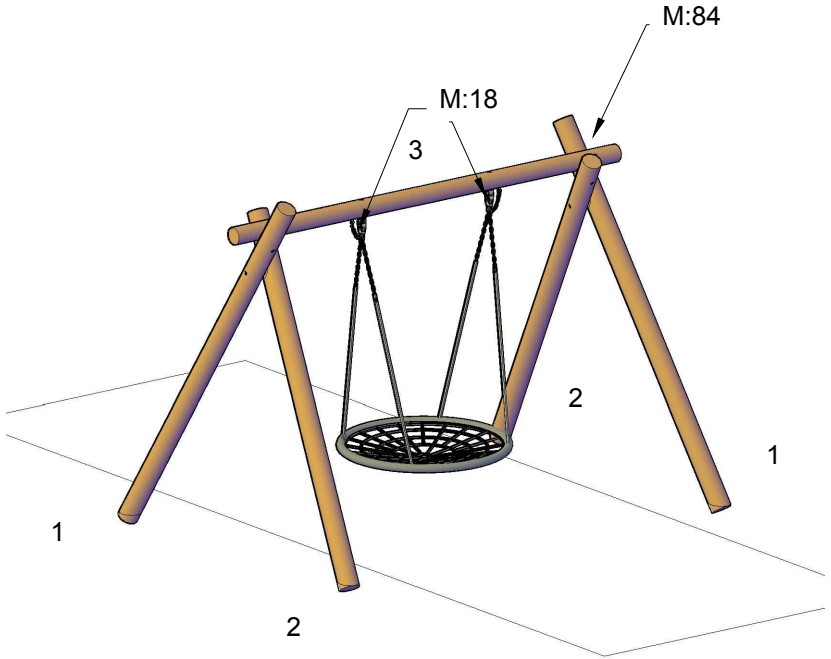
M:76



2400

400

M:19



M:84

M:18

3

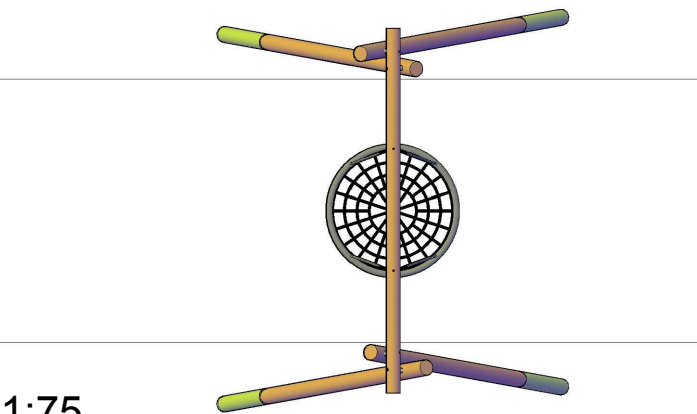
2

1

1

2

1:75



1:75

This drawing is the property of NORLEG and pursuant to current legislation may not be copied, transferred to or used by any third party. Should this drawing be used, a fee of 10% of the assumed contract price will be charged.