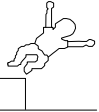
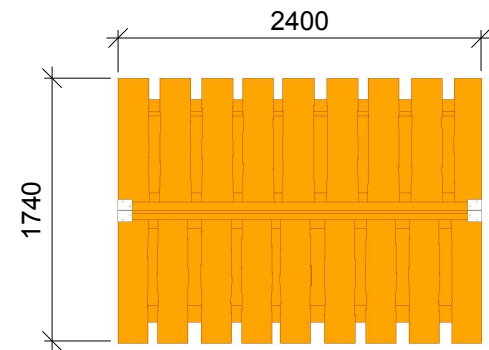
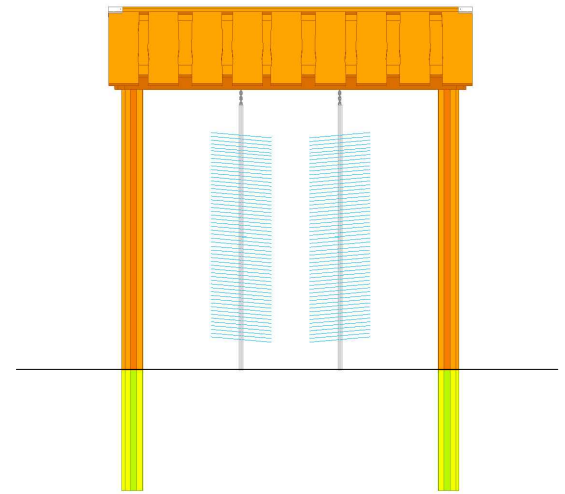
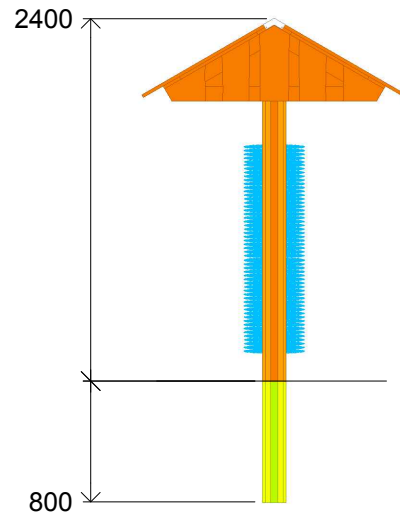


NORLEG	
Bilvask	
LE 20093	
31.01.2011	REV. A:20.12.2017

< 600



≥ EN 1176

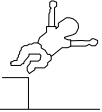


This drawing is the property of NORLEG and pursuant to current legislation may not be copied, transferred to or used by any third party. Should this drawing be used, a fee of 10% of the assumed contract price will be charged.

1:50

NORLEG	
Bilvask	
LE 20093	
31.01.2011	REV. A:20.12.2017

< 600



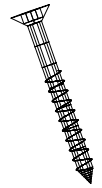
≥ EN 1176

By assembly. Drilling and use of saw must be expected.

Dh = Disk head



Ch = Countersunk head

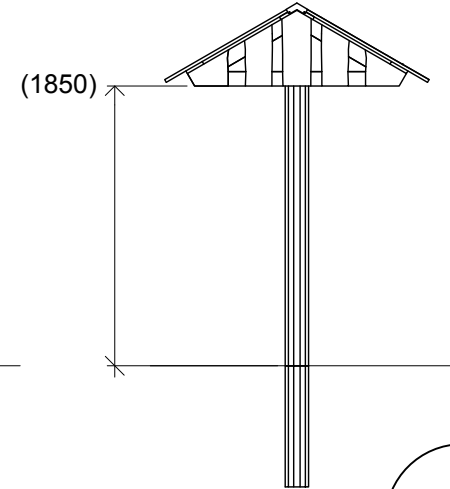
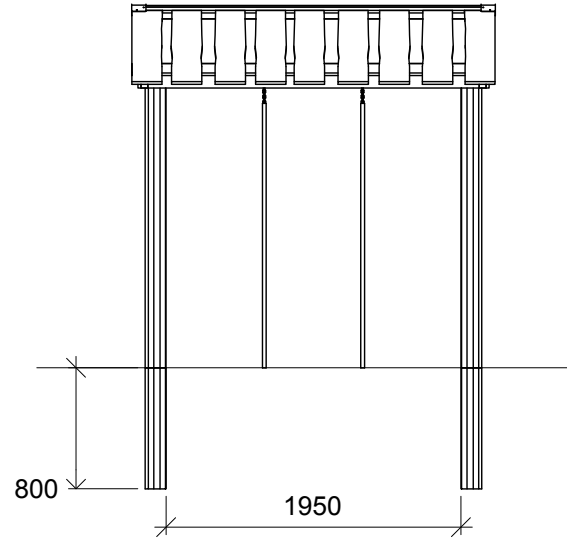
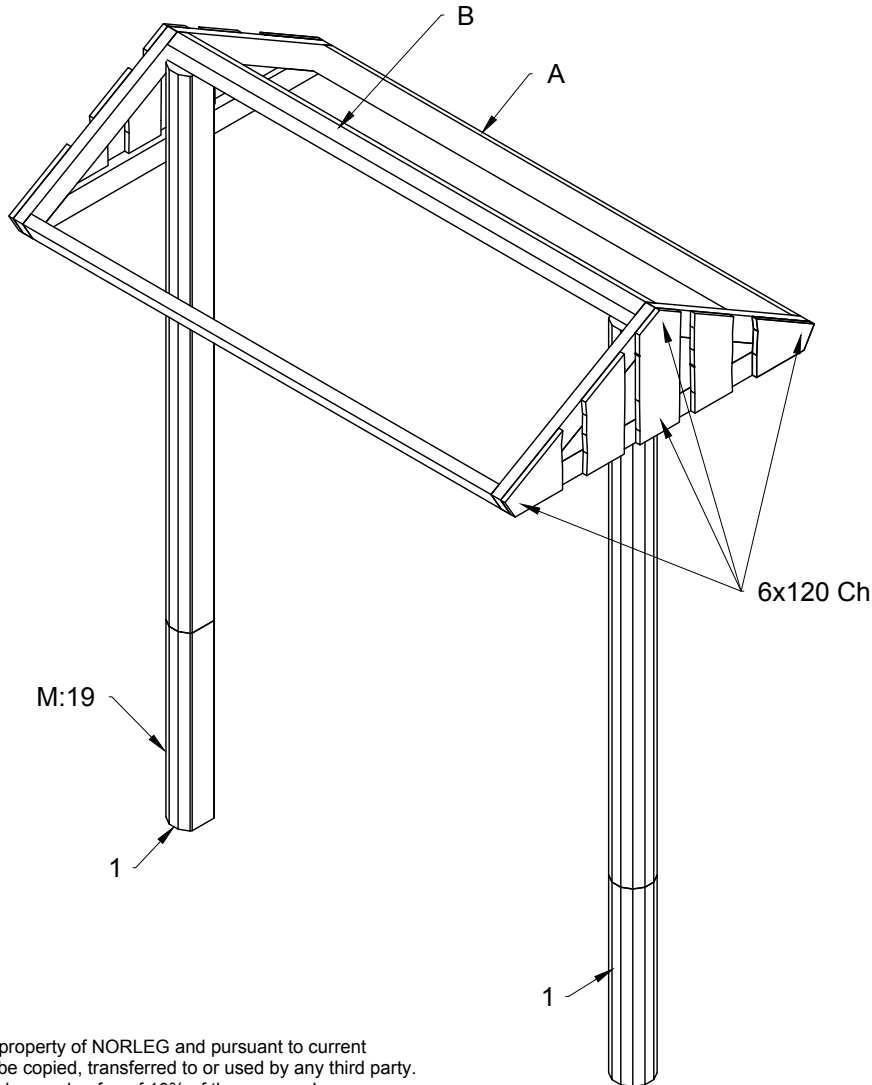


- Mont.

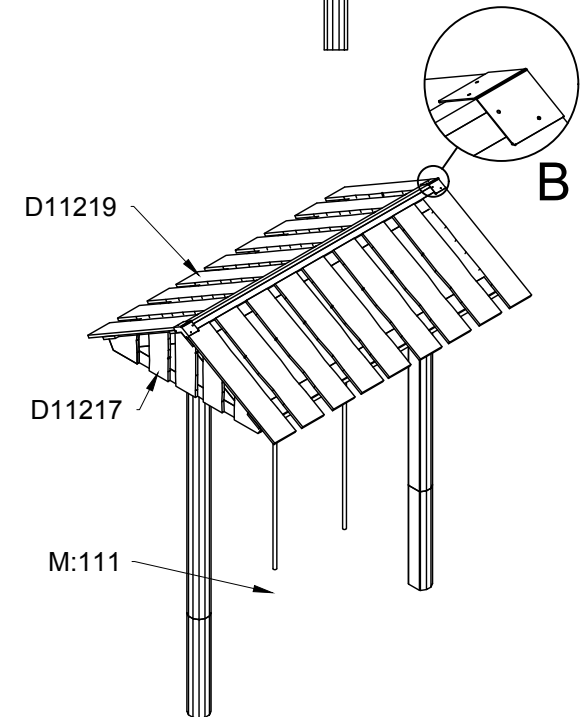
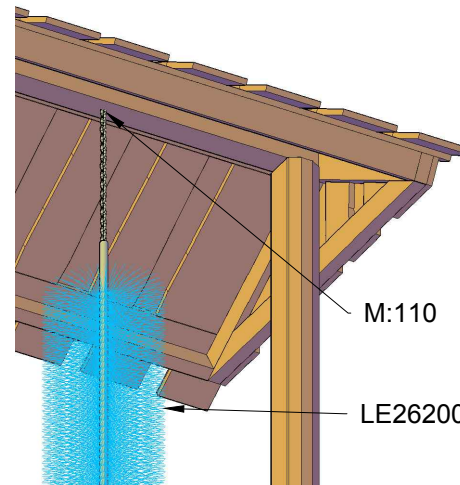
Mont.p. nr.

19
110
111

Part
D11217
D11219
LE26200



1:50



This drawing is the property of NORLEG and pursuant to current legislation may not be copied, transferred to or used by any third party. Should this drawing be used, a fee of 10% of the assumed contract price will be charged.