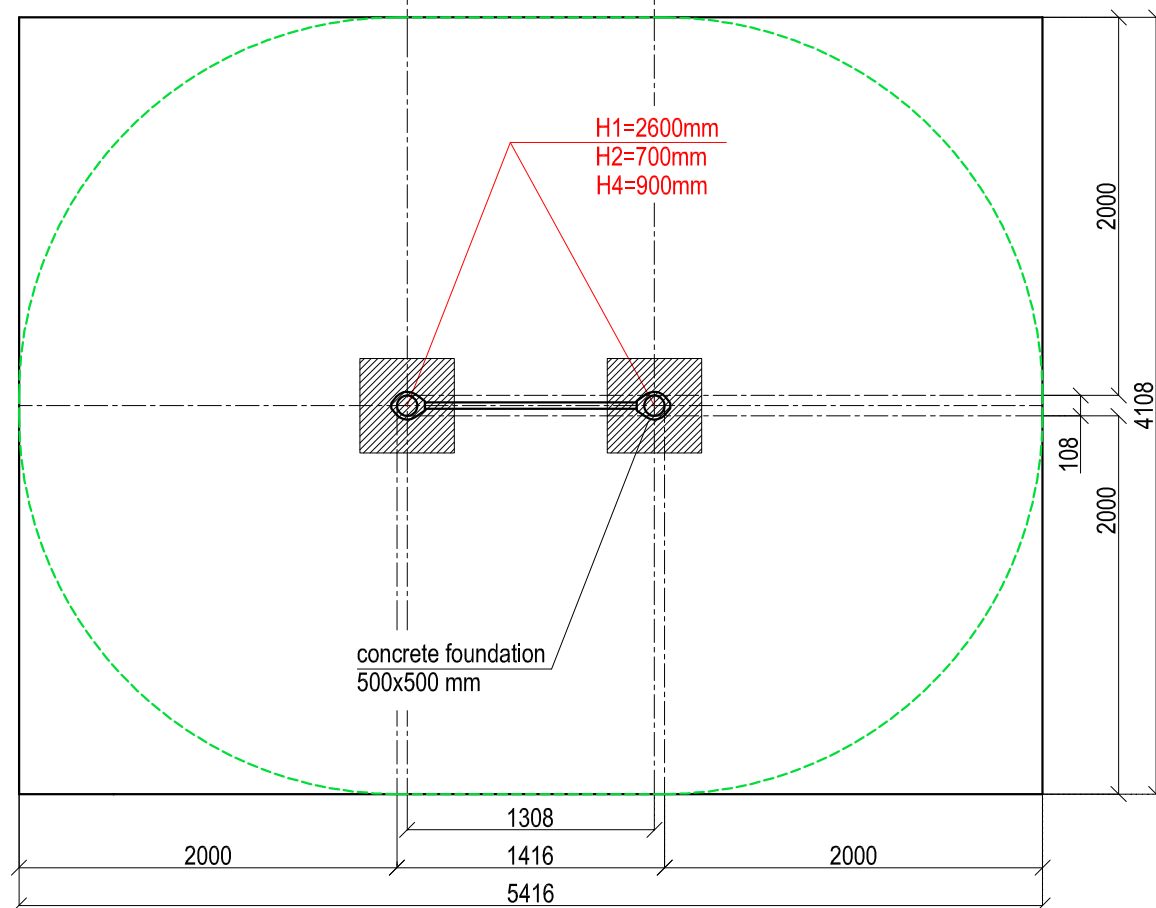
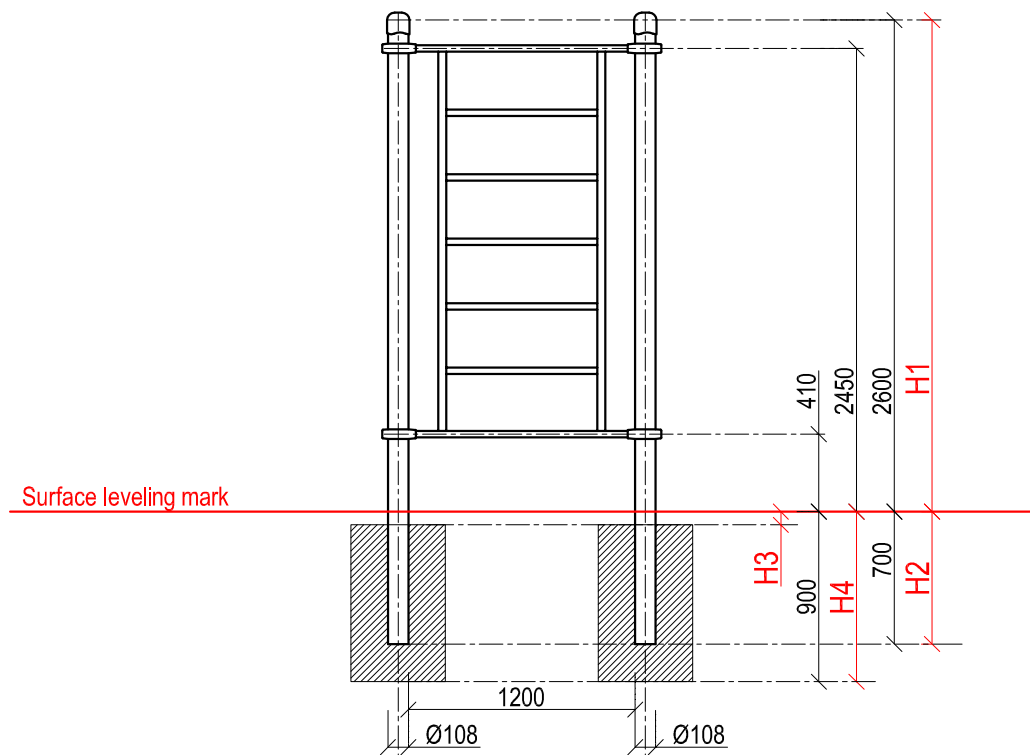
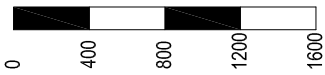


SCALE 1:40



LTD "KENGURU PRO"
 Address: Ezera street 21-28, Riga, Latvia, LV-1034
 VAT Reg. No. 40103750152
 Bank: A/S DNB bank, SWIFT: RIKOLV2X ,
 Bank Account: LV65RIKO0002930161161
 e-mail: info@kengurupro.eu
 www.kengurupro.eu

K-006

Swedish wall



Construction consist of crossbars, the distance between crossbars is 340 mm. They are fixed by collars to the backup columns (2600 mm) at the height of 2450 mm. The width of the wall bars is 1200 mm. Weight 103.2 kg

Installation instructions:

- Choose a suitable underground for the unit (**see page 2, table 2!**)
- Prepare the construction pit with a drilling machine or other devices.
- Before pouring the concrete all structures elements must be leveled and fixed.
- Complex elements must be fixed and bolted together with metal clamps.
- Ready-made C25 concrete should be used.
- Crossbars installation height can be changed according to customer's wishes.
- Approximately 0,15m³ concrete is needed for each spot foundation.
- Under the structures we recommend to install absorbing rubber cover.

The size of the hole for the foundation is depending on the consistency of the ground. The dimensions mentioned above are applicable for normal conditions with firm ground. If the ground is extremely soft, a much bigger foundation is needed. Use only appropriate material and follow the installation instructions closely!!!

Foundation plan and area of movement of the K-006 Swedish wall				Technical information				
Foundation when using Shock absorbing underground (syntethic – rubber granulates)		Beveling of foundation when using loose filling material		width:	108 mm			
				height:	2650 mm			
H3	Drop height	H3	Drop height	length:	1416 mm			
40 mm	> 1.2.....1.4 m	20 cm	< 1.0 m	largest part:	3350 mm			
50 mm	> 1.5.....1.7 m	30 cm	< 2.0 m	weight:	103.2 kg			
60 mm	> 1.8.....2.0 m	40 cm	< 3.0 m	floor space required:	4108 x 4416 mm			
70 mm	> 2.1.....2.5 m			pipe measurements:	diameter:	108 mm	wall thickness:	3.2 mm
					33.7 mm	3.2 mm		
				metal parts:	steel, galvanized, powder coated RAL 7016 (anthracite grey)			
				metal clamps:	aluminium, powder coated, RAL 2004 (pure orange)			
				bolts for metal clamps:	stainless steel, Pin Hex Button Head Security Screws M10			
				max. free fall height:	< 2450 mm	possible underground see DIN 79000:2012-05 Tab.2 or installation instructions		
				user age:	children under 14 years only under surveillance of parents			
				maximum user weight:	130 kg			
				certificates:	TÜV Rheinland InterCert Kft.			

