

# Cloud 9 – Product Specification



## HodgePodge – A variety of study and durable sport and play elements

HodgePodge is a clever and versatile combination of play equipment and climbing structures that can be used anywhere and for numerous activities.

Climbing trees, a Wasp's nest, Volleyball nets for sporting activities, cable rides for fun and excitement.

### At a glance.

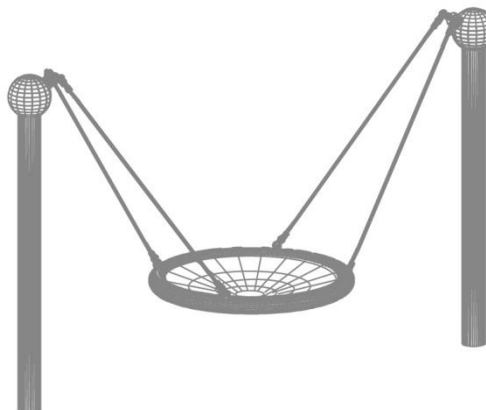
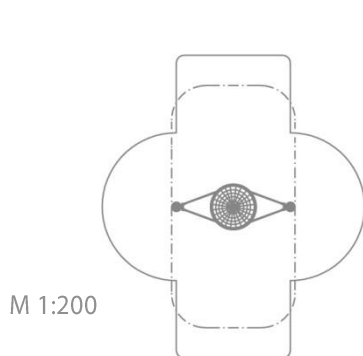
Product Family:	<b>HodgePodge</b>	Number of Foundations:	<b>2 pc.</b>
Item Number:	<b>97.100.025</b>	Concrete Volume C20/C25:	<b>0.7 m<sup>3</sup> (24.7 ft<sup>3</sup>)</b>
Children's Age:	<b>3+</b>	Number of skilled installers required:	<b>2</b>
Fall Height (DIN EN 1176):	<b>1.80 m (5'-11")</b>	Installation Time without foundation:	<b>2 hours</b>
Length x Width x Height:	<b>3.2 m x 1.2 m x 2.0 m (10'-5" x 4'-0" x 6'-8")</b>	Dimensions of largest part:	<b>Ø 0.1 x 3.1 m (0'-4" x 10'-2")</b>
Protective Surfacing Area (DIN EN 1176):	<b>6.2 m x 6.4 m</b>	Weight of heaviest part:	<b>70 kg (154.3 lbs)</b>
Protective Surfacing Area (ASTM 1487):	<b>6.8 m x 8.1 m (22'-4" x 26'-7")</b>	Shipping Volume:	<b>1.8 m<sup>3</sup> (63.6 ft<sup>3</sup>)</b>
Minimum space required DIN EN 1176:	<b>26.6 m<sup>2</sup></b>	Spare part guarantee:	<b>Lifelong</b>
Minimum space required ASTM 1487:	<b>31.0 m<sup>2</sup> (333.7 sf)</b>	Certificate according to EN 1176:	<b>No.: Z2.16.01.10256.259 TÜV Product Service</b>

  
**Berliner**  
 Berliner Seilfabrik GmbH & Co.  
 Lengeder Straße 2/4  
 D-13407 Berlin

Tel. +49.(0)30.41 47 24-0  
 Fax +49.(0)30.41 47 24-33

info@berliner-seilfabrik.com  
 www.berliner-seilfabrik.com

# Cloud 9 – Product Specification



## Technical Data.

The following text can also be used for tenders.

### Steel posts Jan:

Steel pipes  $\varnothing$  133 mm (5 1/4") with rounded cast aluminum post top, minimum wall thickness 7.1mm (1/4"); anticorrosion treatment and color finish: sandblasting and zinc-/ epoxy-/ polyester-process.

### Nodes:

Framework-aluminum ball connectors;  $\varnothing$  250 mm (9-13/16"); anti-corrosion treatment and color finish: sandblasting and solvent-free zinc-/ epoxy-/ polyester-process; incorporating an ASTEM TT net tensioning system; securely closed with durable EPDM- caps

### Seat:

Galvanized steel ring covered with shock-absorbing material and wrapped with fiber rope ( $\varnothing$  20 mm); coil: 115 mm x 95 mm); tight-knit net made of Usacord rope (16 mm) is hung into the ring

### Ropes:

U-Rope-round strand ropes with steel cores,  $\varnothing$  16mm (5/8") – unless otherwise noted; with galvanized wires, external strands covered with non-abrasive UV-resistant Polyester-yarn.

t.

  
**Berliner**  
Berliner Seilfabrik GmbH & Co.  
Lengeder Straße 2/4  
D-13407 Berlin

Tel. +49.(0)30.41 47 24-0  
Fax +49.(0)30.41 47 24-33

info@berliner-seilfabrik.com  
www.berliner-seilfabrik.com

