

2.36.1

Climbing-Hiding-Structure "Mouse"



Description:

Climbing-Hiding-Structure "Mouse"

1 Climbing cube 1

~ 1,9 x 1.6 m; h = 0.8 - 1.0 m

platform of rubber

1 Net wall

~ 0.55/1.1 x 1.0 m; mesh size 10/10 cm

1 Barrel

d ~ 90 cm; l ~ 1.1 m

1 Climbing cube 2

~ 1.5 x 1.8 m; h = 0.95 - 1.0 m

platform of rubber

1 Slide (stainless steel)

w = 0.5 m; h = 1.0 m

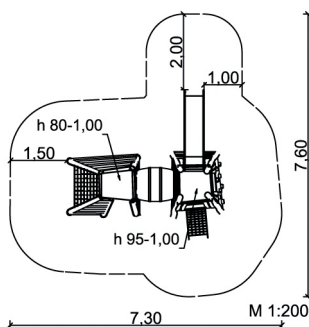
incl. side walls above the climbing cube

1 Climbing belt wall

1 Slanted net entrance

0.5 x 1.2 m; mesh size 10/10 cm

colour: robinia bright



Gr. 2 - Agility Equipment

1 - 3 years

~ 8 children

1.00 m

from 3

40.00 m²

about 610 kg; biggest about 300 kg

2 installers at 8 h; + equipment

12

0.75 m³

