

### 6.23.1.1 Small harvester



#### Description:

Small harvester

l (total): 11.1 m

w (total): 4.0 m

h (total): 3.7 m

1 Reel; ~ 4.0 x 2.2 m with climbing nets

1 Separator unit as slanted net entrance

~ 0.85 x 1.4 m made of rubber belt and net roof

1 Chassis; ~ 4.9 x 3.0 m; Ph = 0.8 / 1.45 / 1.6 / 1.8 m

1 Driver's cab with steering wheel, stool and bench

1 Stairs; w = 0.45 m; h = 1.45 m

1 Rope ladder; w = 0.45 m; h = 1.8 m

1 Climbing wall; w ~ 1.75 m; h = 2.6 m

4 Wheels; 2 x Ø ca. 1.5 m; 2 x Ø ca. 0.9 m

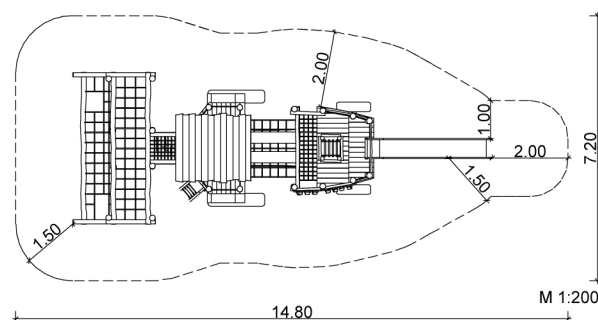
diverse net and belt bridges as bond bridges

1 Slide (stainless steel)

w = 0.5 m; h = 1.8 m

coloured design

*Note: The current model differs from the picture.*



**Gr.** 6 – Play mobiles

6 – 12 years

~ 20 children

1.80 m

from 5

79.00 m<sup>2</sup>

about 2100 kg; biggest about 700 kg

assembly only by company SIK-Holz®

26

~ 2.00 m<sup>3</sup>

SIK-Holz quality inspection according to DIN EN 1176 at the factory by a qualified playground inspector.



master enterprise for wood sculpture  
© SIK-Holzgestaltungs GmbH