



CLIMBING



MEETING



SLIDING

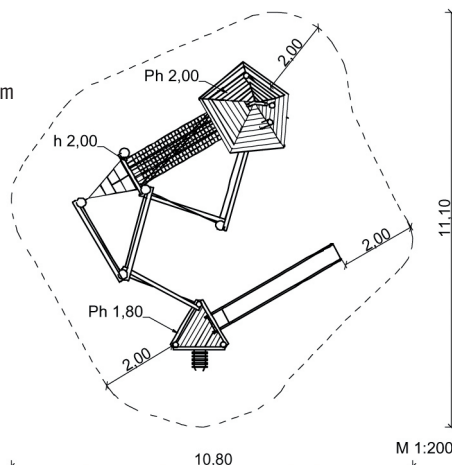


BALANCING

**Description:**

Climbing Wood (small)

- 1 Play tower 3-cornered with pitched roof;
1.5/1.5/1.5 m; Ph = 2.0 m; with barriers;
- 2 Posts with tree prongs
- 1 Window with grid (stainless steel)
- 1 Slanted net entrance; 0.75 x 2.0 m;
MW 25/25 cm
- 1 Tubular net; l = 3.0 m; 0.8 x 0.8 m
- 1 End post; w = 1.2 m; h = 2.0 m
posts formed as climbing posts; h = 3.5 m
- 1 Triangular net; irregular; 1.0/1.5/1.5 m;
MW 30/30 cm
- 3 Climbing posts; h ~ 4.5 m
- 2 Balancing rope; l = 2.0 m
- 2 Support ropes; l = 2.0 m
- 1 Balancing ropes; \varnothing ~ 15 cm; l = 2.5 m
- 5 Connecting beams; l = 2.5 m
- 1 Play tower 3-cornered; 1.5/1.5/1.5 m; Ph = 1.8 m
- 1 Slide (stainless steel); w = 0.5 m; h = 1.8 m
- 1 Rope ladder; w = 0.4 m; h = 1.8 m
- 1 Ladder; w = 1.5 m; h = 1.8 m
- coloured design

**Gr.** 5 - Multi Units

6 - 12 years

~ 14 children

2.00 m

from 5

 135.00 m²

about 2345 kg; biggest about 700 kg

2 installers at 20 h; + equipment

15

 ~ 1.80 m³

SIK-Holz quality inspection according to DIN EN 1176 at the factory by a qualified playground inspector.

