

Product technical sheet

SPRING 0613-1



1 - 12 years



4 kids



14,3 m²

Material specification

- Powder galvanized and powder coated steel construction,
- Elements made of durable HDPE plate, resistant to weather conditions,
- Seats made of durable HDPE plate, resistant to weather conditions,
- Handles made of synthetic material,
- Footrests made of synthetic material,
- Steel springs 20 mm, iron phosphorated and powder coated,
- Screws covered with plastic caps and/or stainless steel screws,

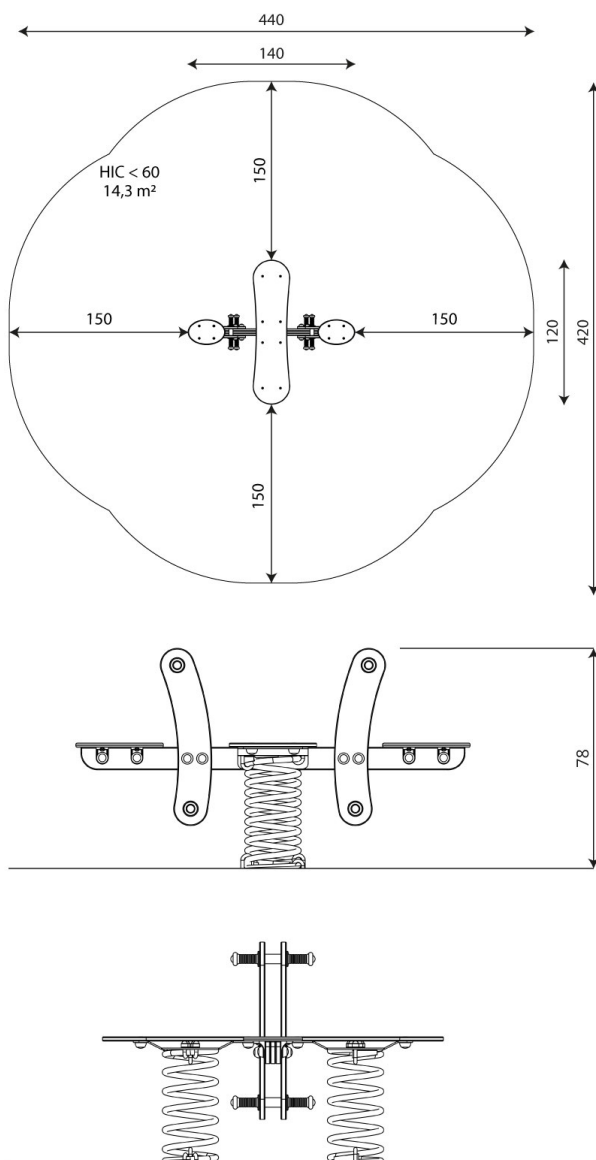


Physical development



rocking





Product technical sheet

SPRING 0613-1

Product data

Length	140 cm
Width	120 cm
Total height	78 cm
Age group	1 - 12 years
Number of users	4 kids
Safety zone	14,3 m2
Free fall height	<60 cm
In accordance with norm EN	1176-1:2017+A1:2023
Weight of the heaviest part	55 kg
Dimensions of the largest part	142x126x121 cm
Availability of spare parts	YES
Installation time	1,5 h
Color options	

Data is subject to change without prior notice.

Additional information

- equipment intended for public playgrounds;
- equipment has a certificate issued by an accredited entity or a declaration of conformity;
- no sharp edges or chinks that would pose a danger of jamming the head, fingers or any other body parts;
- anchoring on flat surface, 80/70/60 cm deep;

Guarantee

- 30** 30 year guarantee - Structural strength of steel and stainless steel components
- 15** 15 year guarantee - Structural failure of steel and stainless steel, for dynamic equipment
- 10** 10 year guarantee - Structural failure of high density polyethylene and high pressure laminates components
- 5** 5 year guarantee - Corrosion of stainless steel and hot dip galvanized and powder coated components; against bark beetles and rot in case of wooden structural elements

Detailed information in the guarantee card



Surfaces according to EN 1176-1:2017+A1:2023

	Description (mm)	Layer thickness (cm)	Maximum fall heights (cm)
Turf/ top layer of soil (A,B,C)	-	-	≤100
bark (A,C)	Particle size from 20 to 80	30	≤200
		40	≤300
woodchips (A,C)	Particle size from 5 to 30	30	≤200
		40	≤300
sand or gravel (A,C)	Particle size from 0,25 to 8	30	≤200
		40	≤300
synthetic attested (A,B,C)	Tested according to EN 1177		60

Product technical sheet

SPRING 0613-1

Amount of safe surface corresponding with free fall height:

HIC <60 14,3 m²

Data is subject to change without prior notice.

