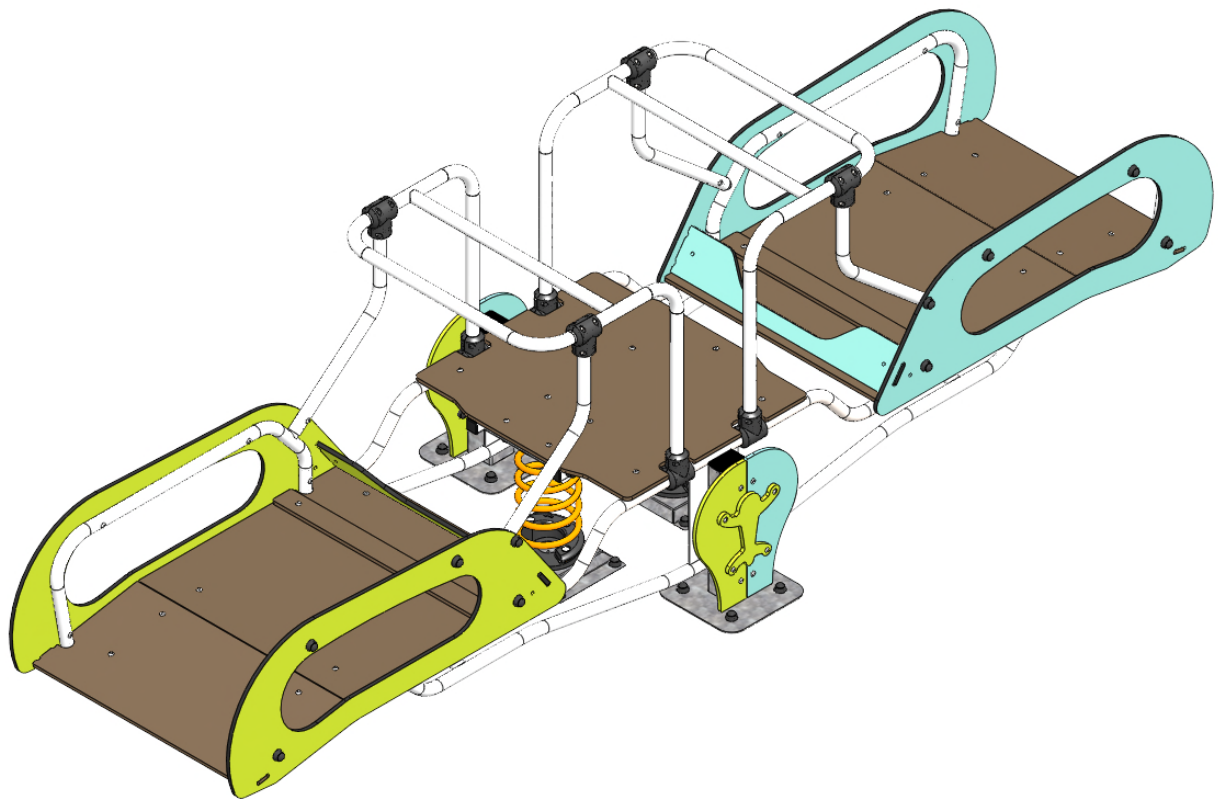
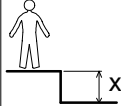
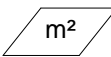


J987

Pro ludic





N°		
1	0.5 m	30 m ²

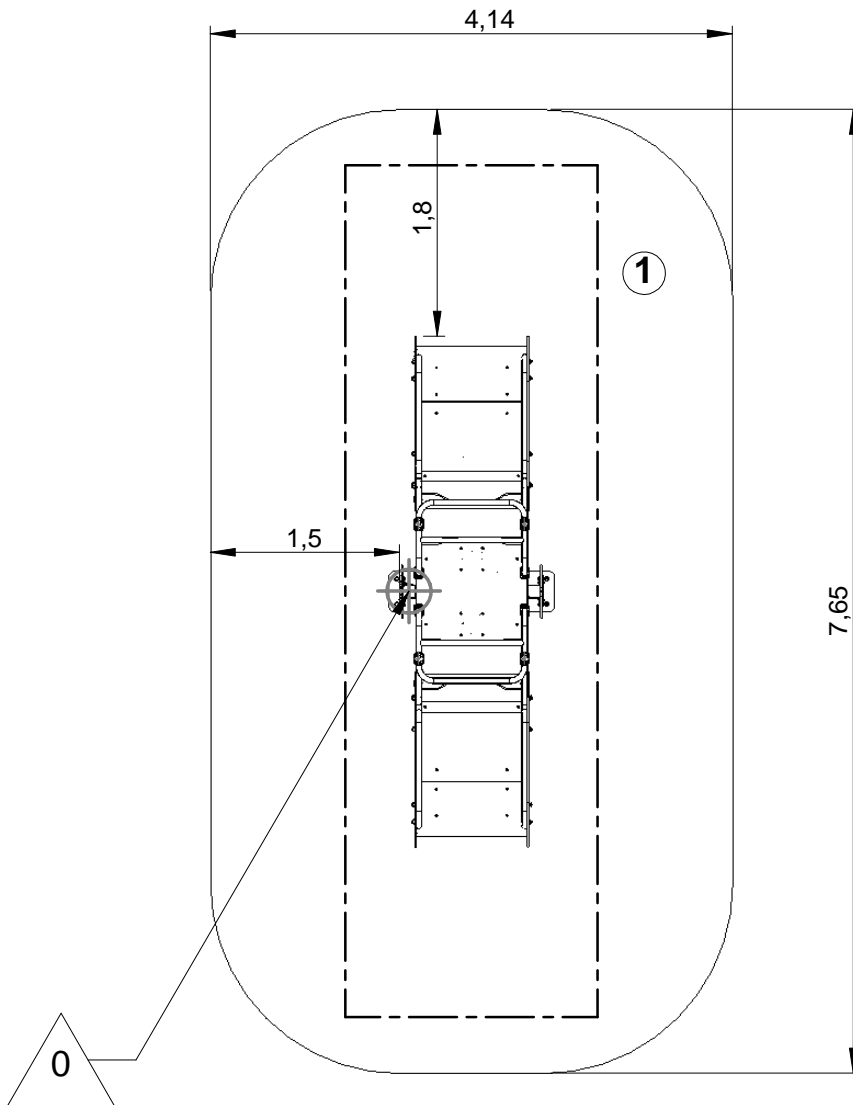
— Zone d'impact
Impact area
Area de impacto
Fallraum
Valzone

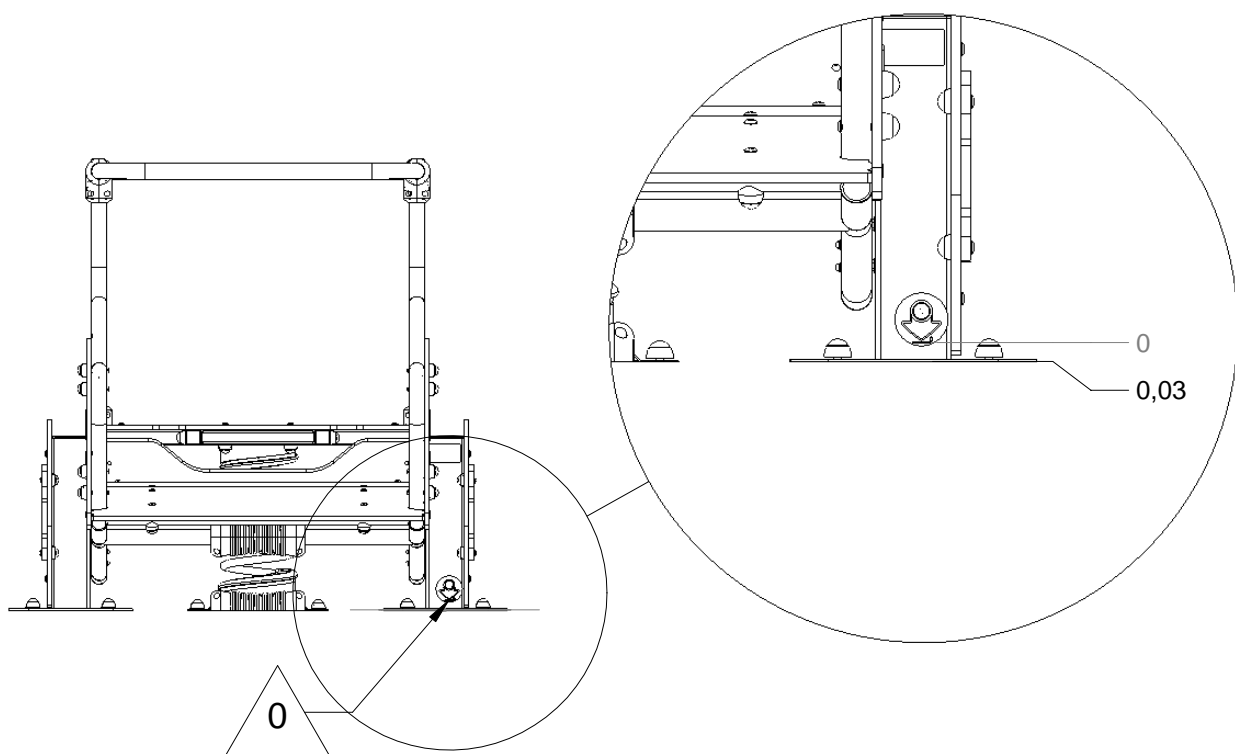
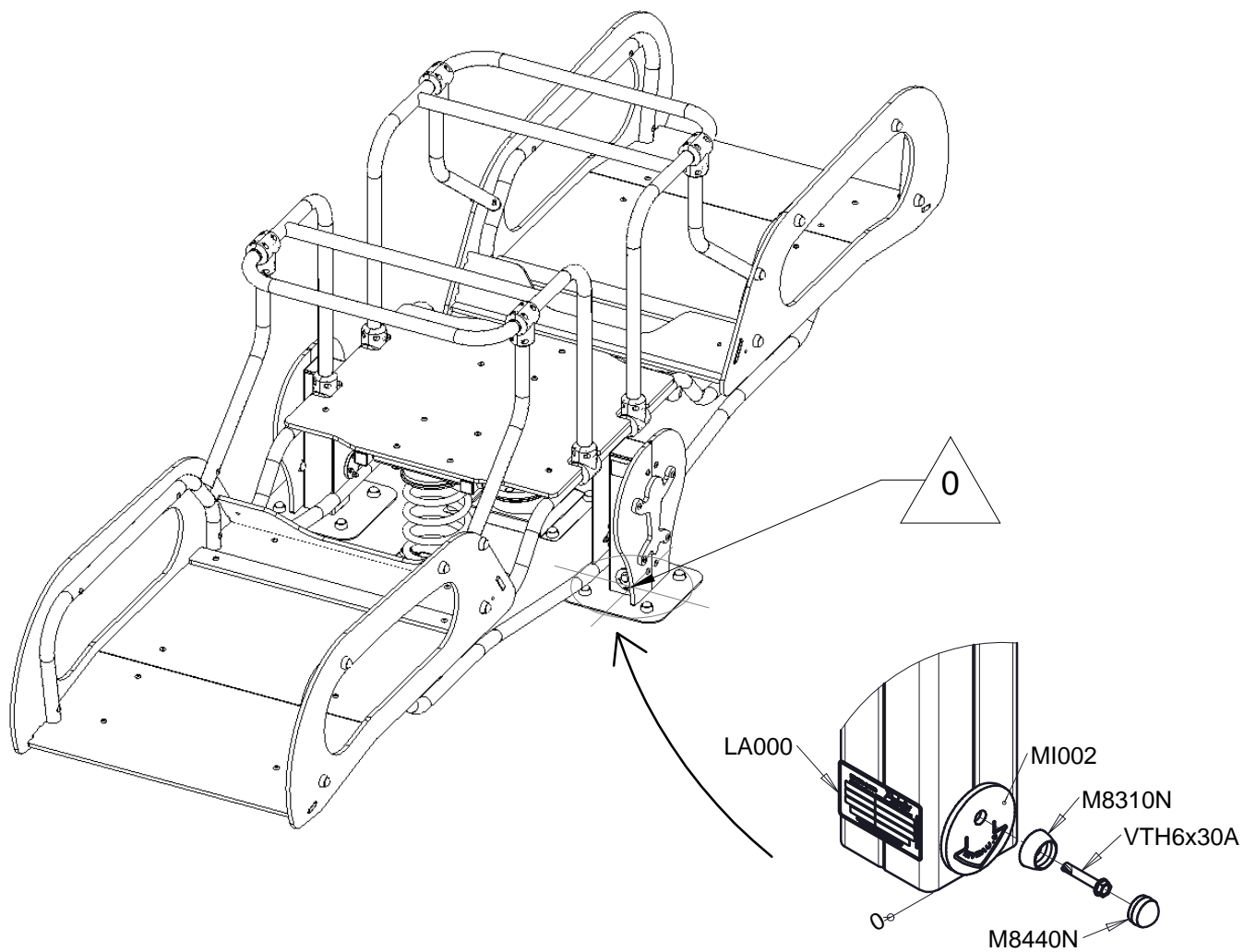


Point de référence
Setting out point
Punto de referencia
Bezugspunkt
Referentiepunt

- - - Espace libre
Free space
Espacio libre
Freiraum
Vrije ruimte

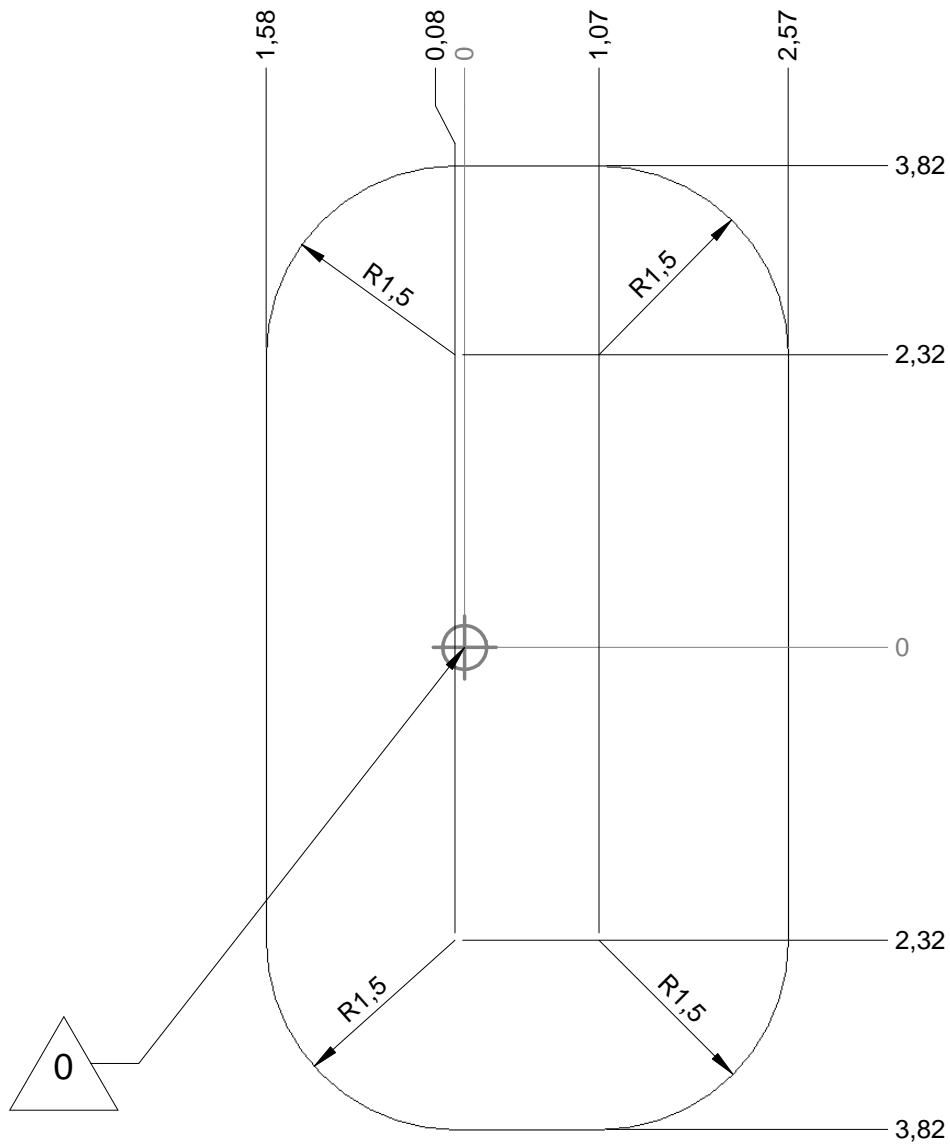
EN1176-1:2017
EN1176-6:2017





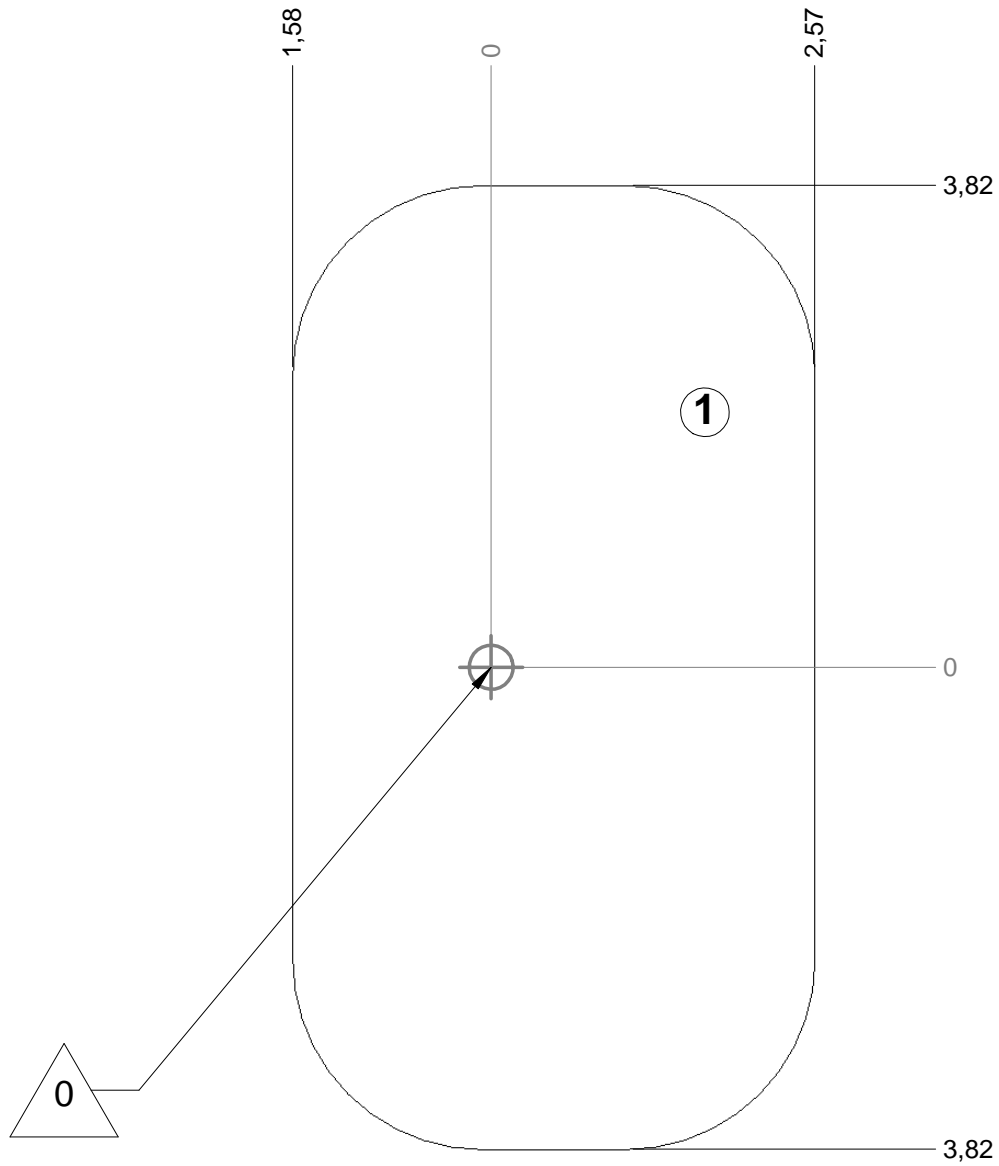
— Zone d'impact
Impact area
Area de impacto
Fallraum
Valzone

30 m²



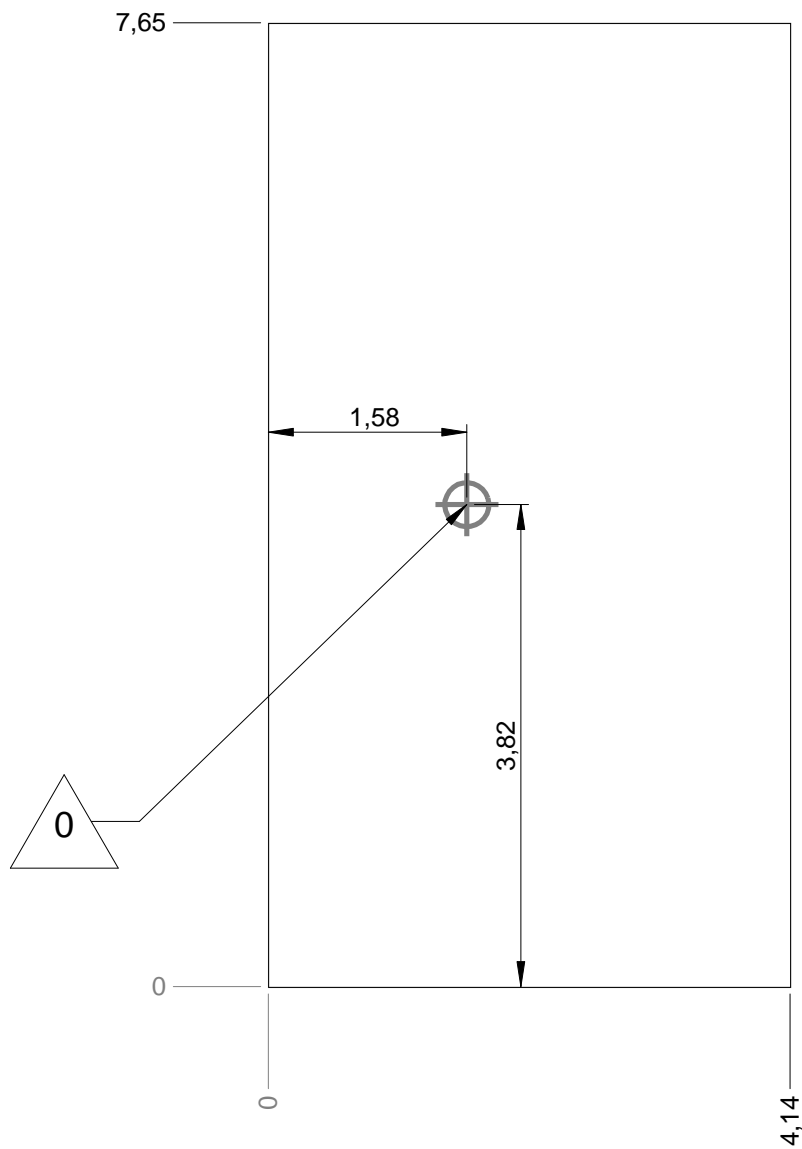
— Sol souple
Wetpour
Caucho continuo
Synthetischer Fallschutz
Gietvloer

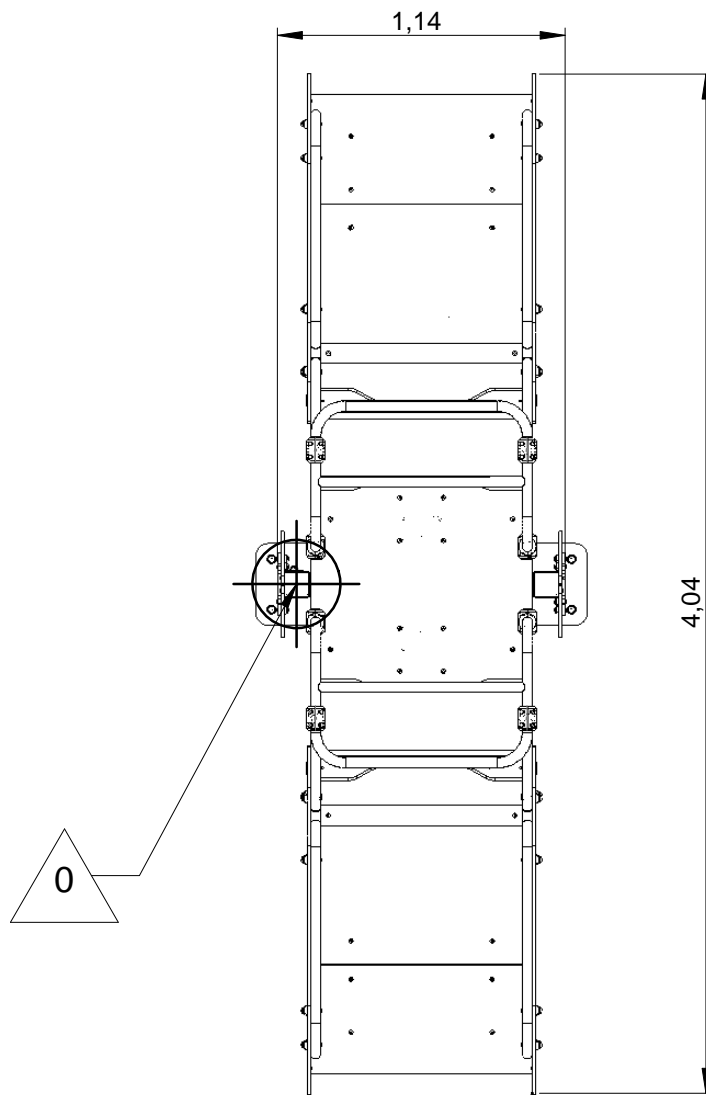
30 m²

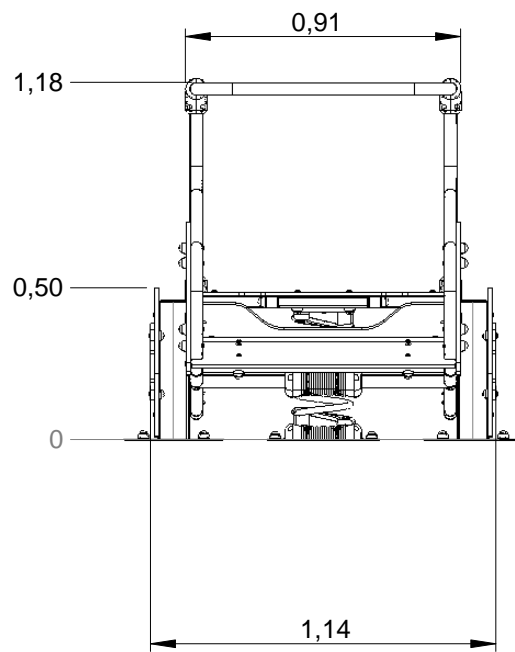
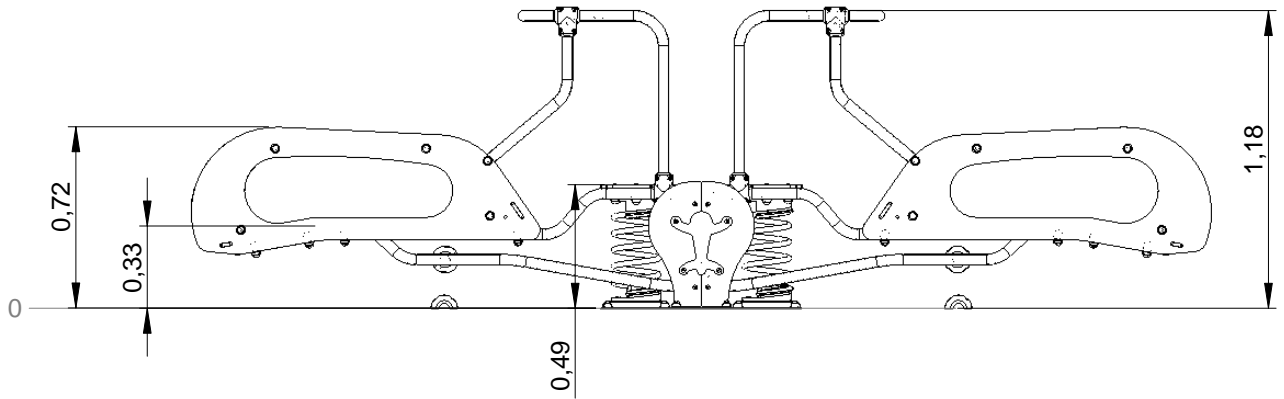


— Dalle béton
Concrete pad
Solera de hormigon
Beton Bodenplatte
Betonnen bodemplaat

24 m
32 m²



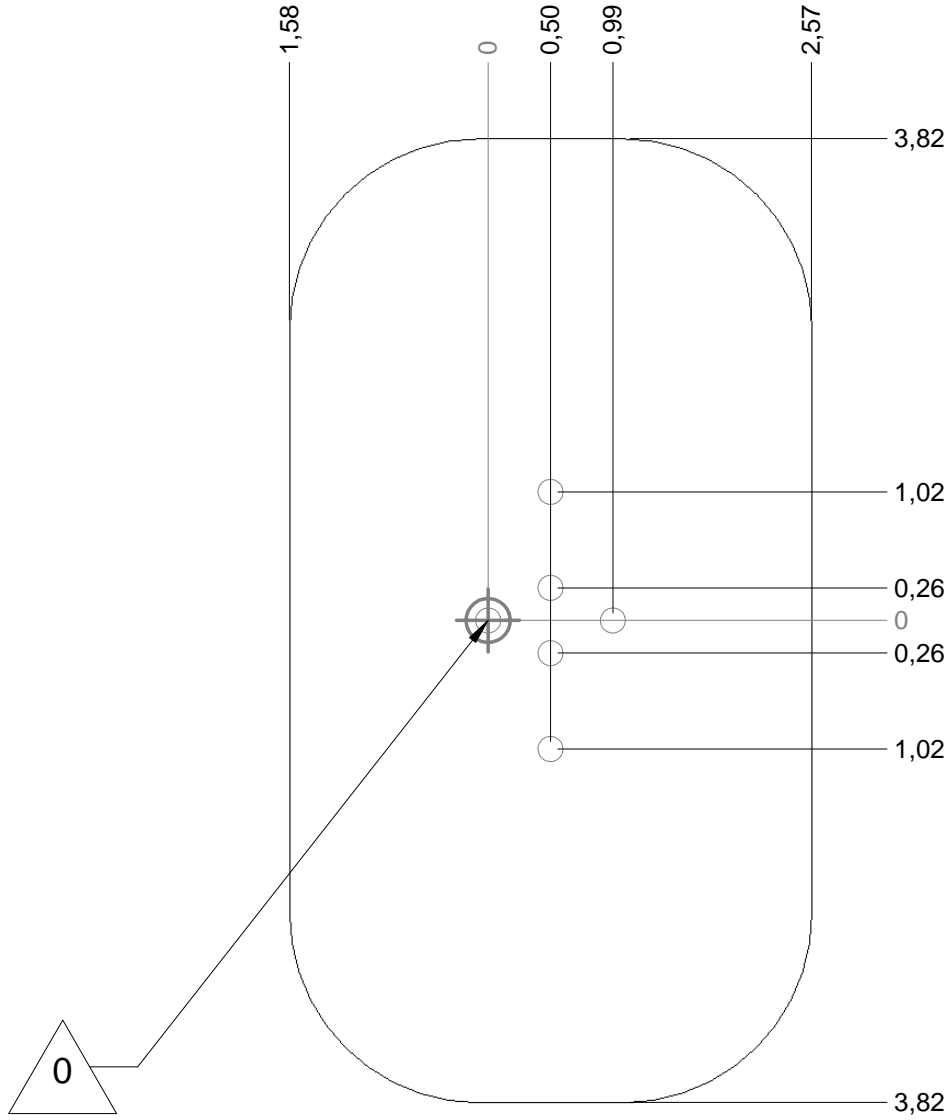




J987 B

Proludic

Implantation
Footing plan
Implantación
Fundamentplan
Funderingstekening



x2



6H

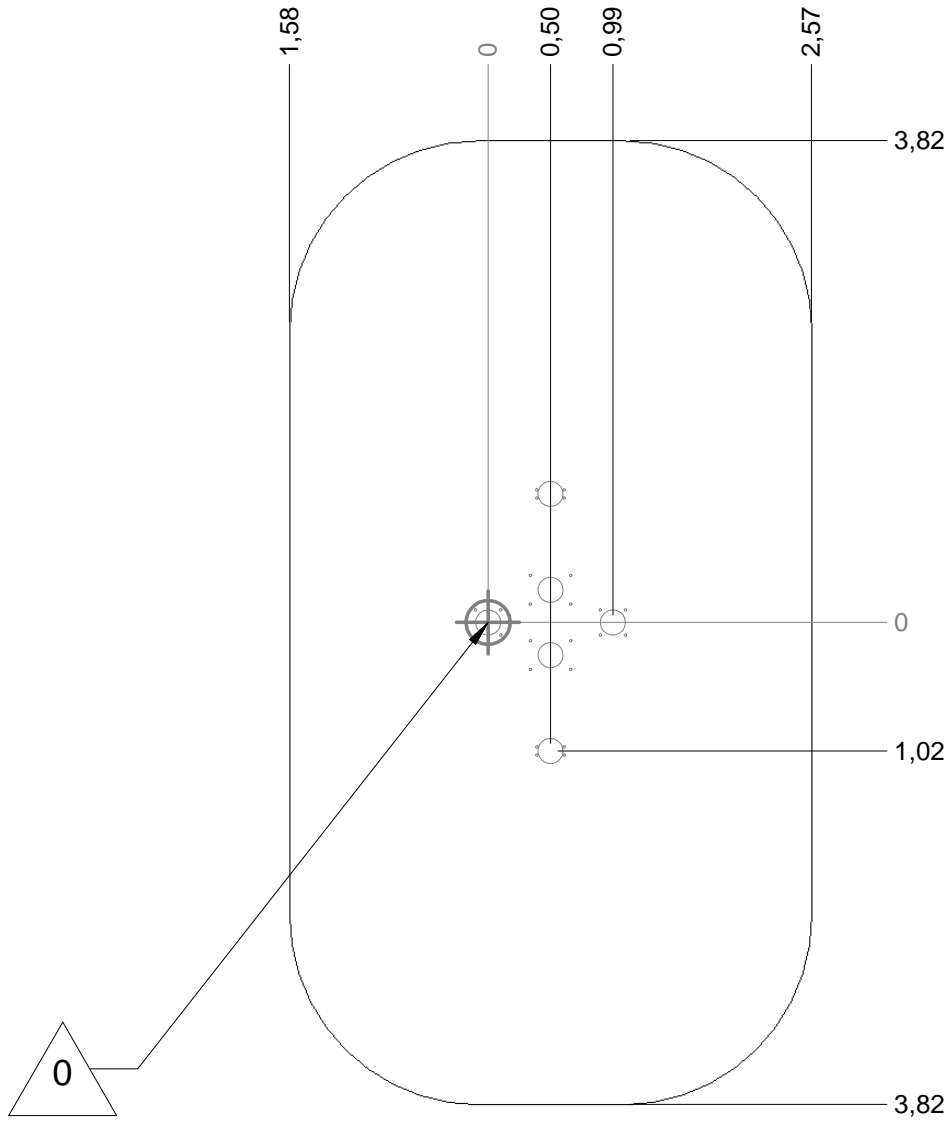
RD14M10



J987 B

Proludic

Implantation
Footing plan
Implantación
Fundamentplan
Funderingstekening



x2

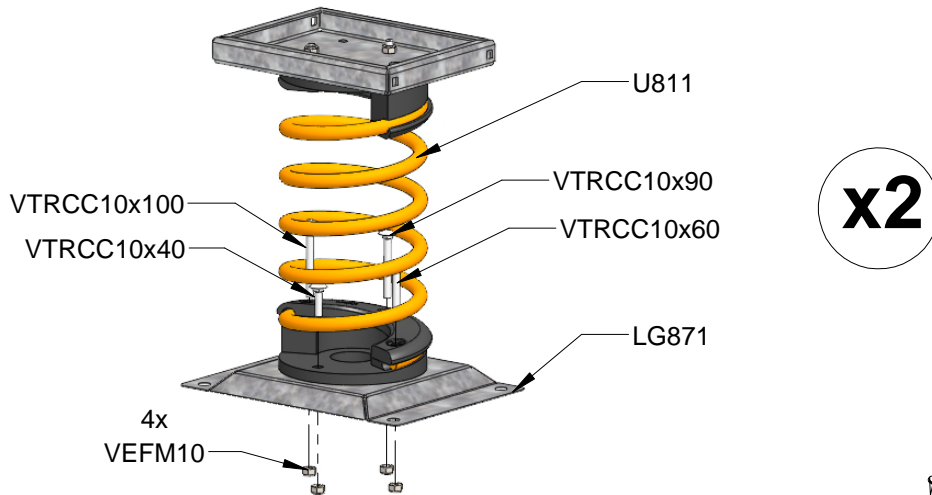


6H

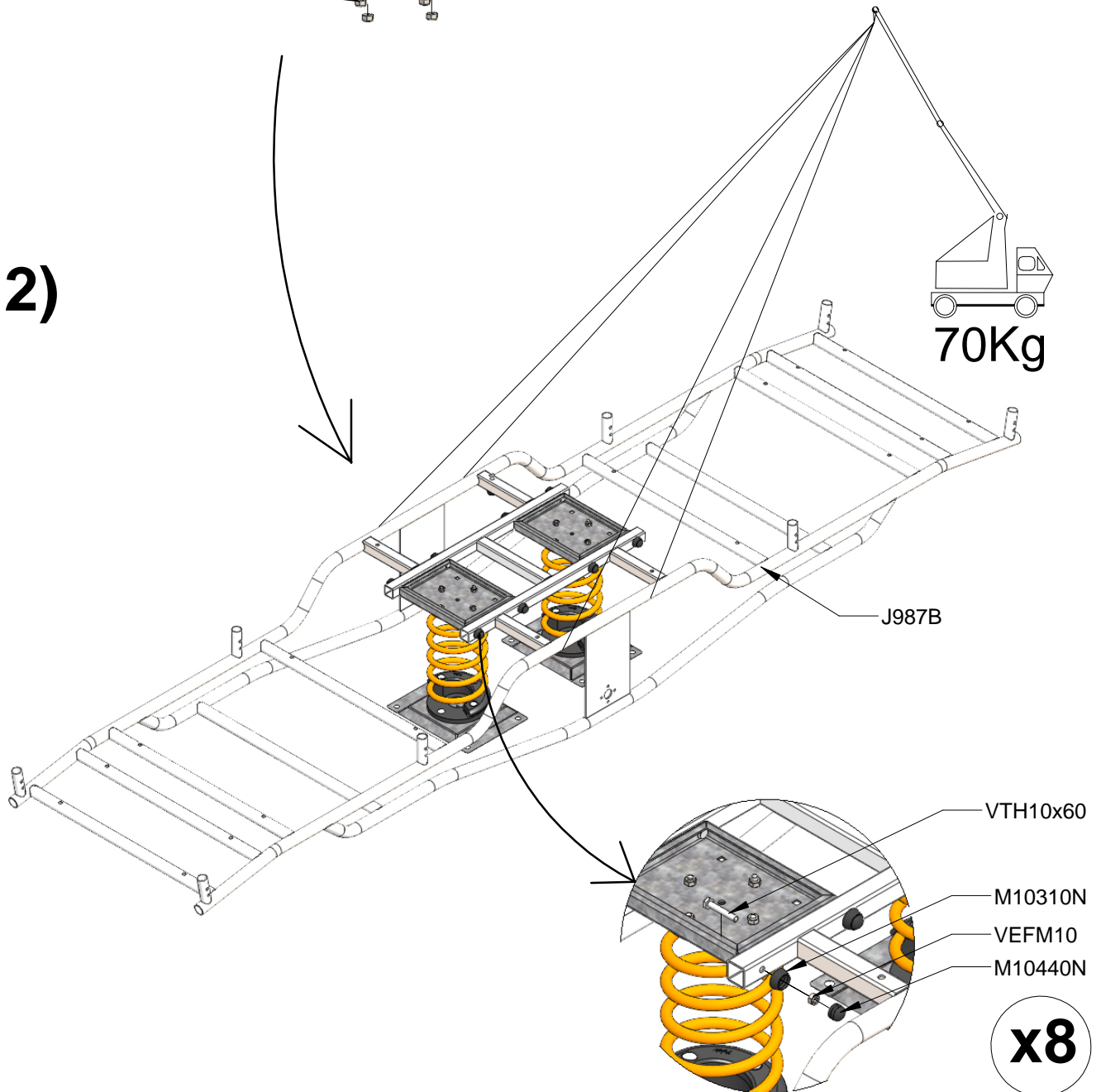
RD14M10



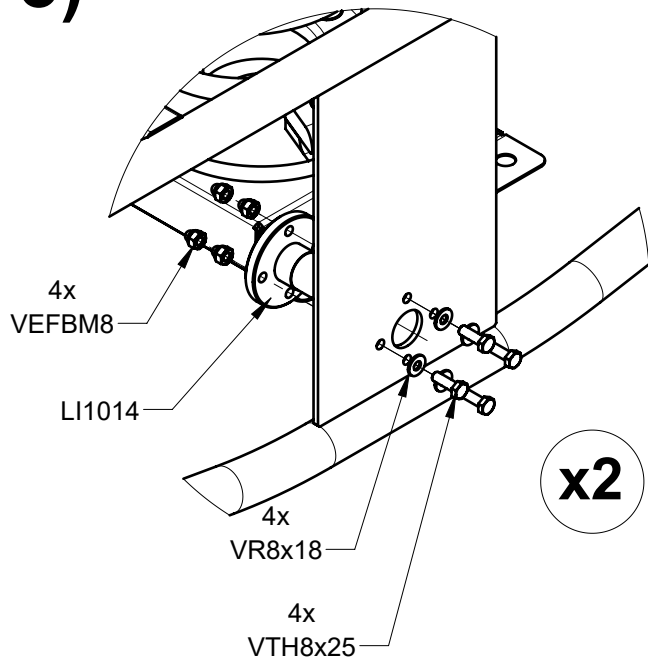
1)



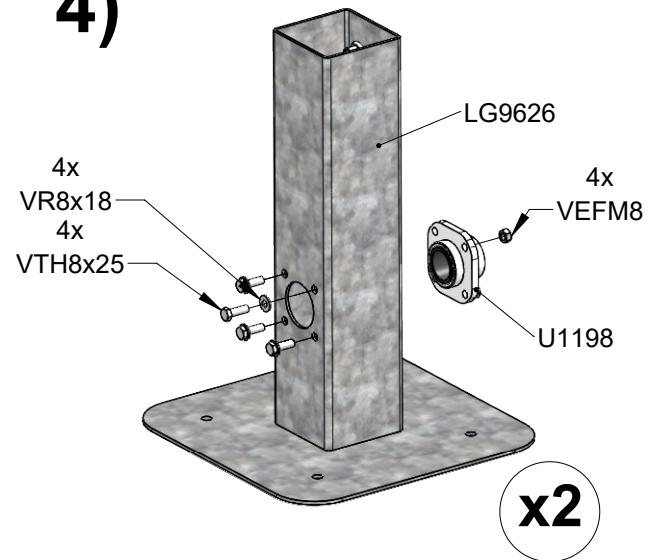
2)



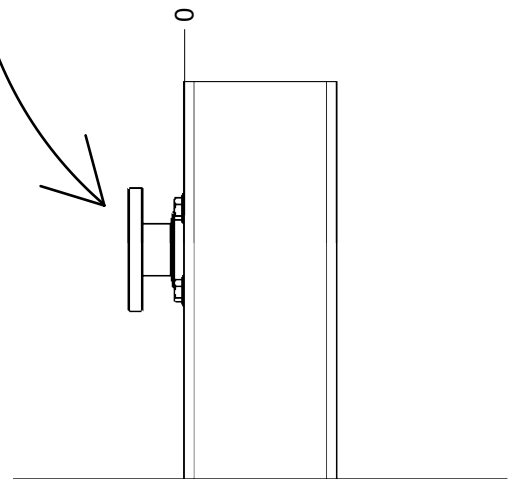
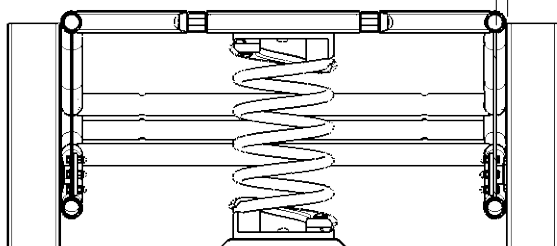
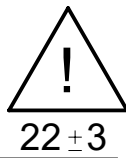
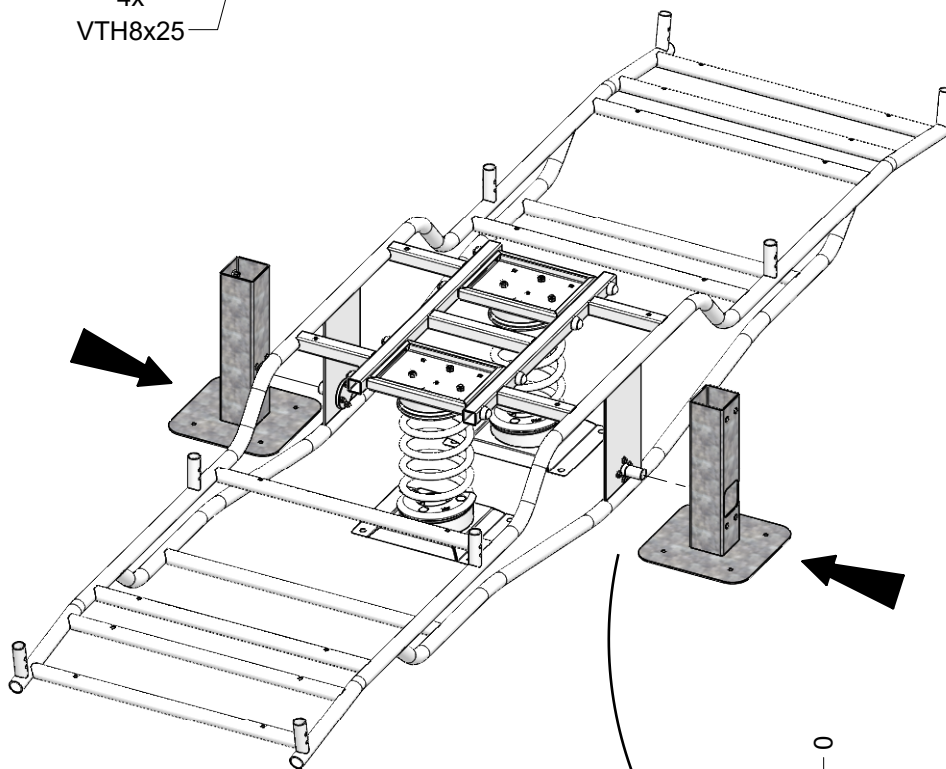
3)



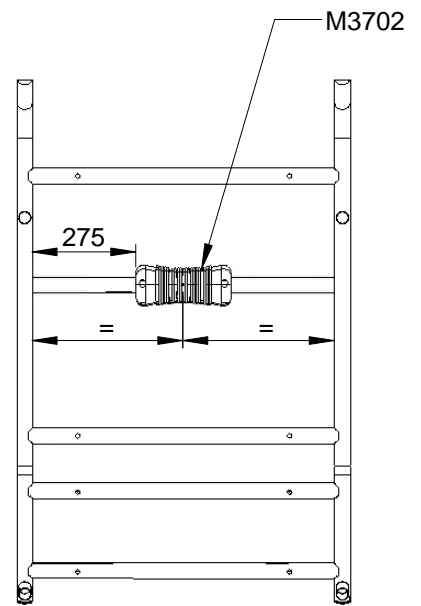
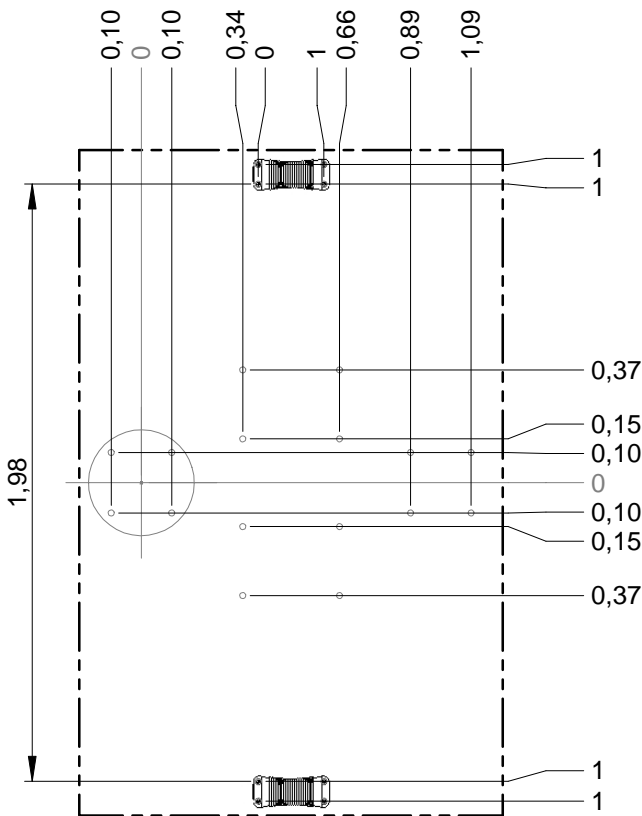
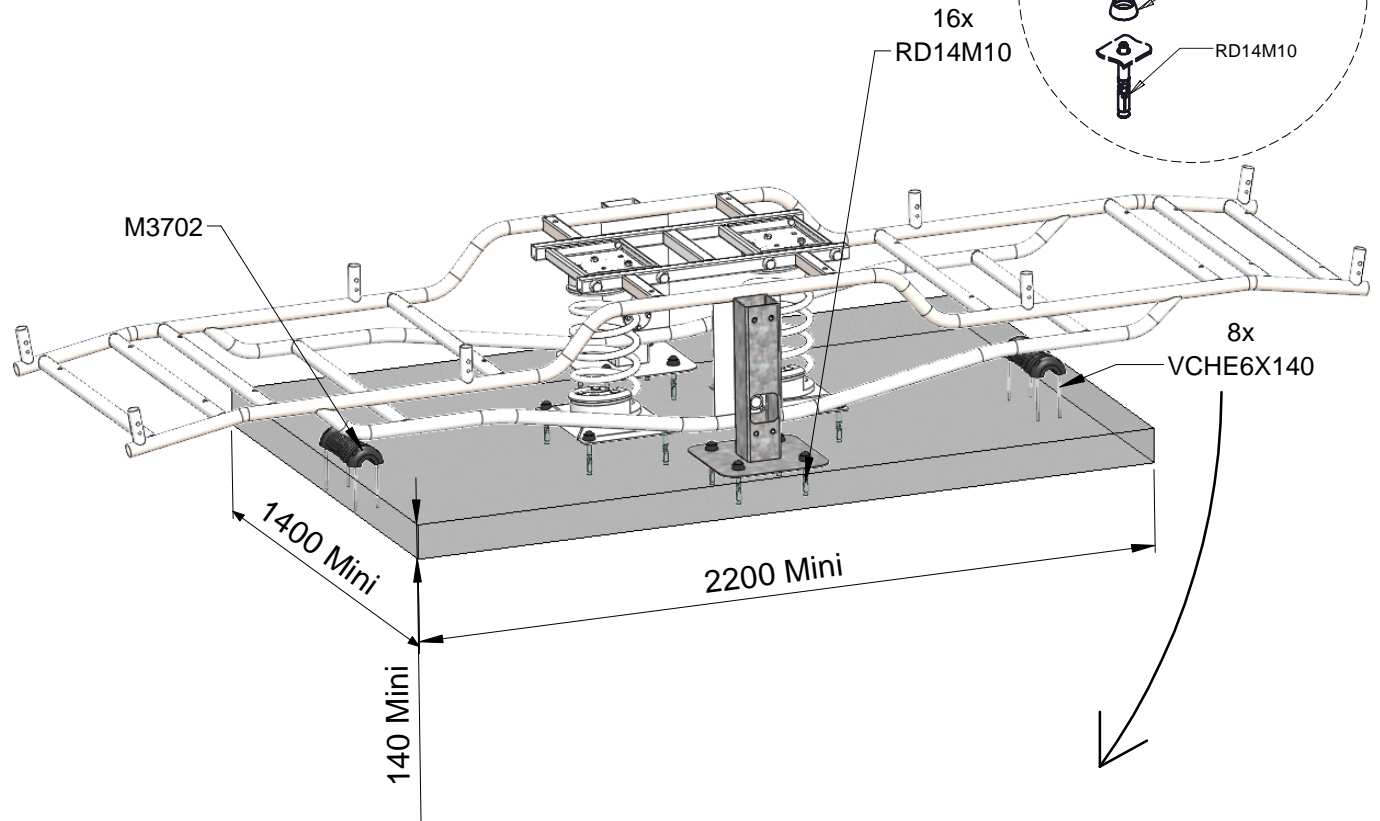
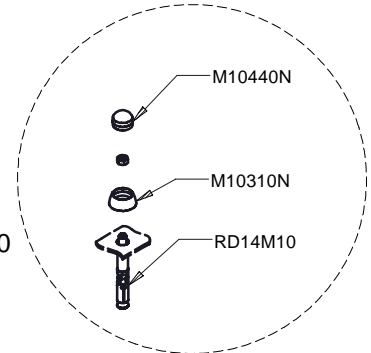
4)



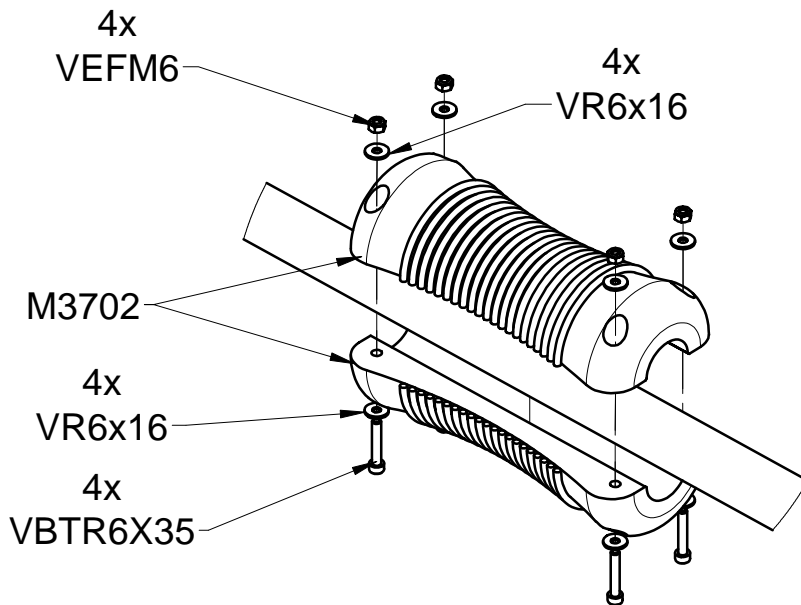
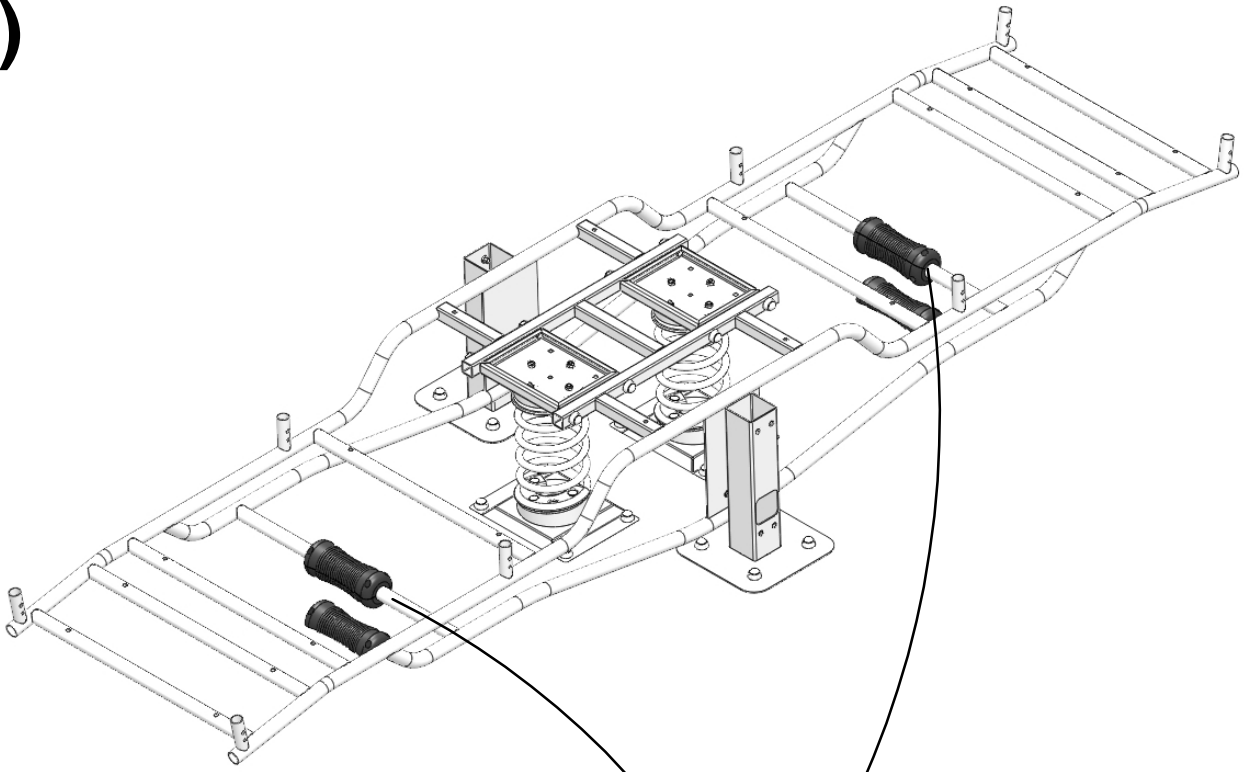
5)



6)

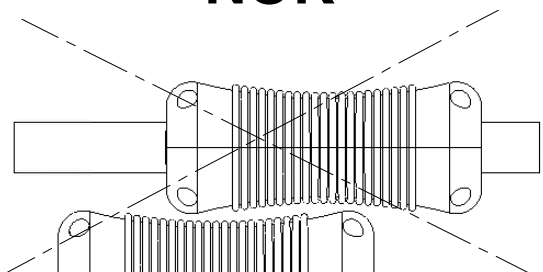
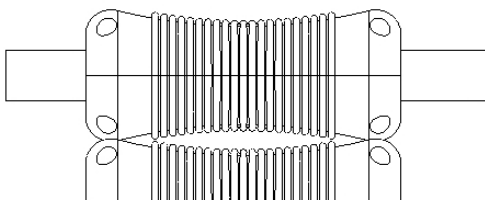


7)

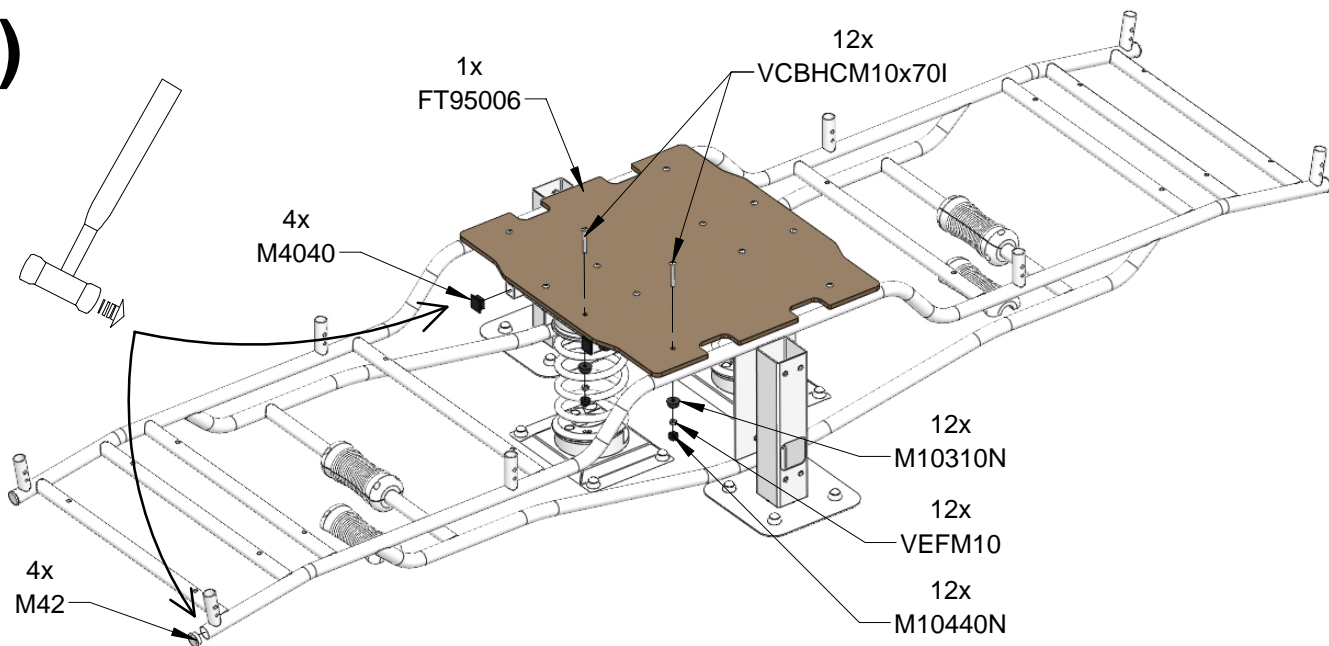


OK

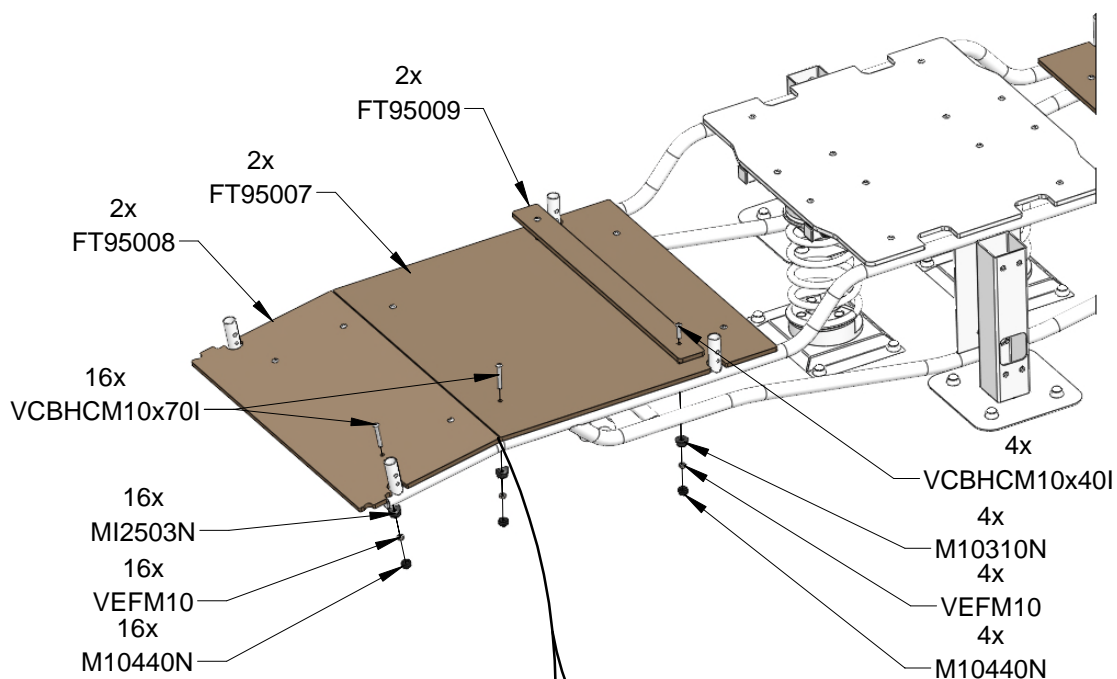
NOK



8)

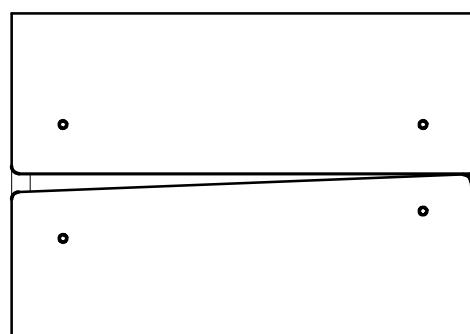


9)

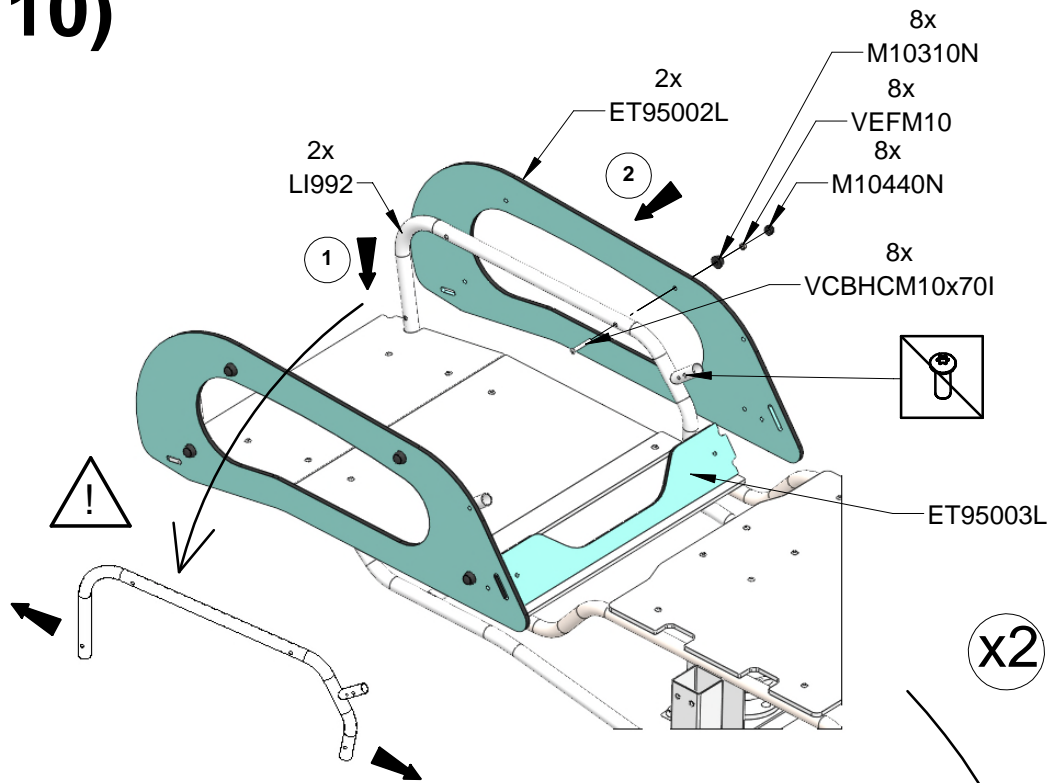


OK

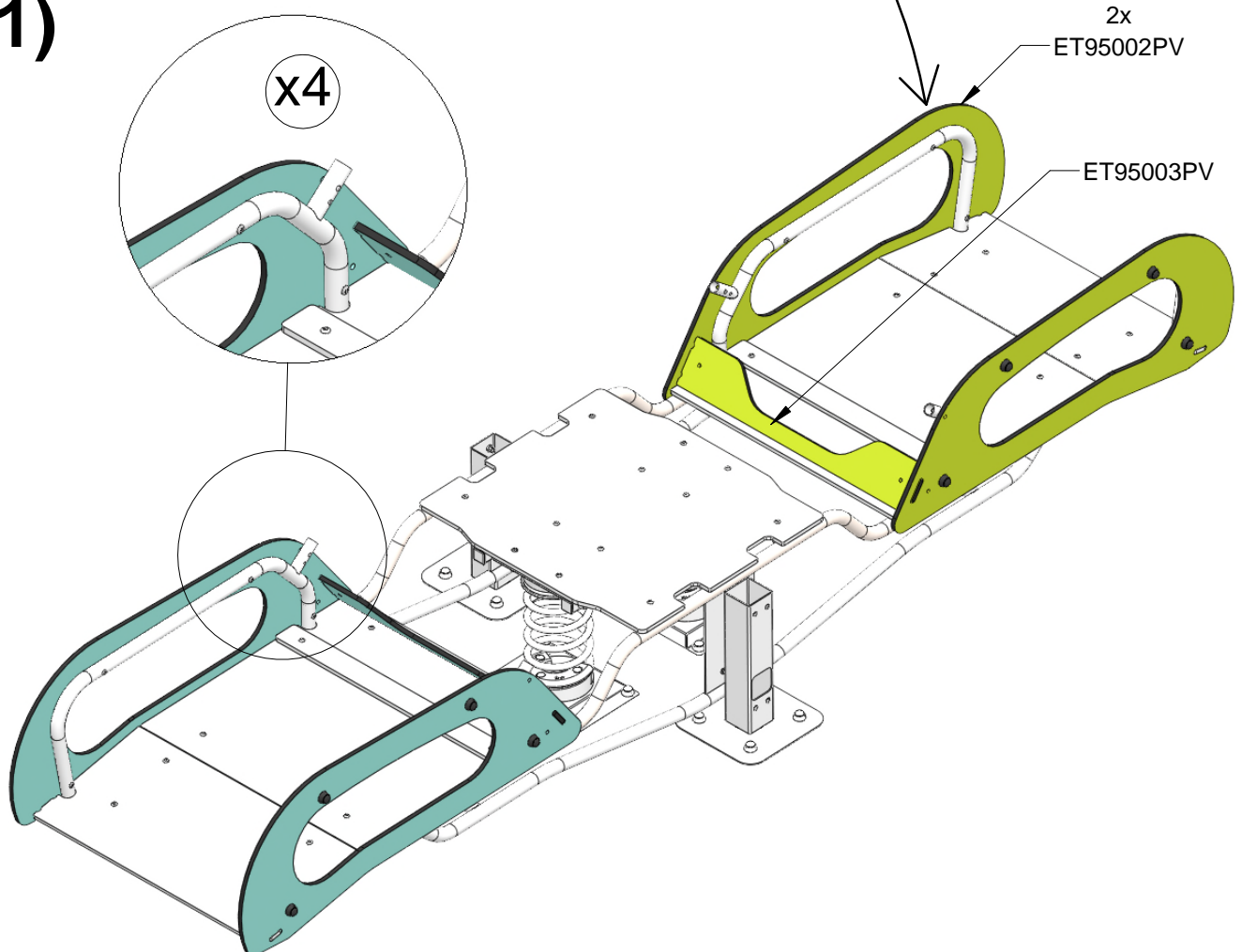
NOK



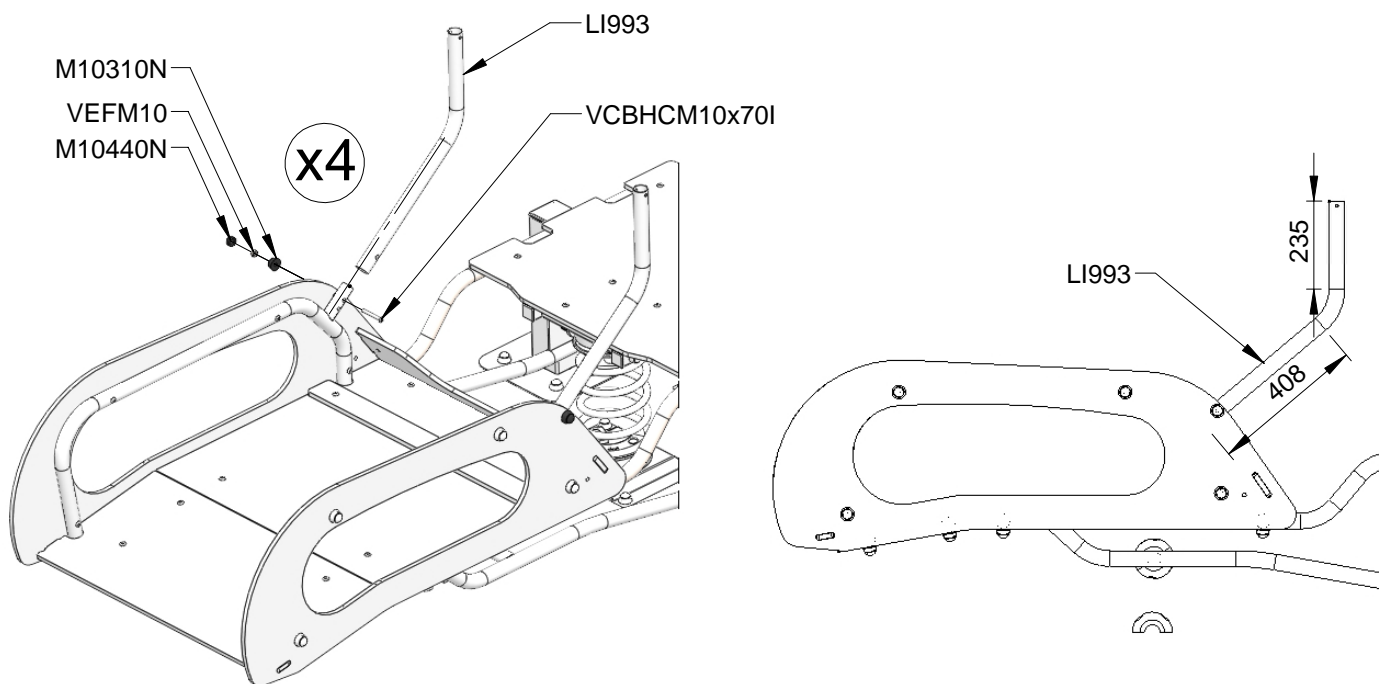
10)



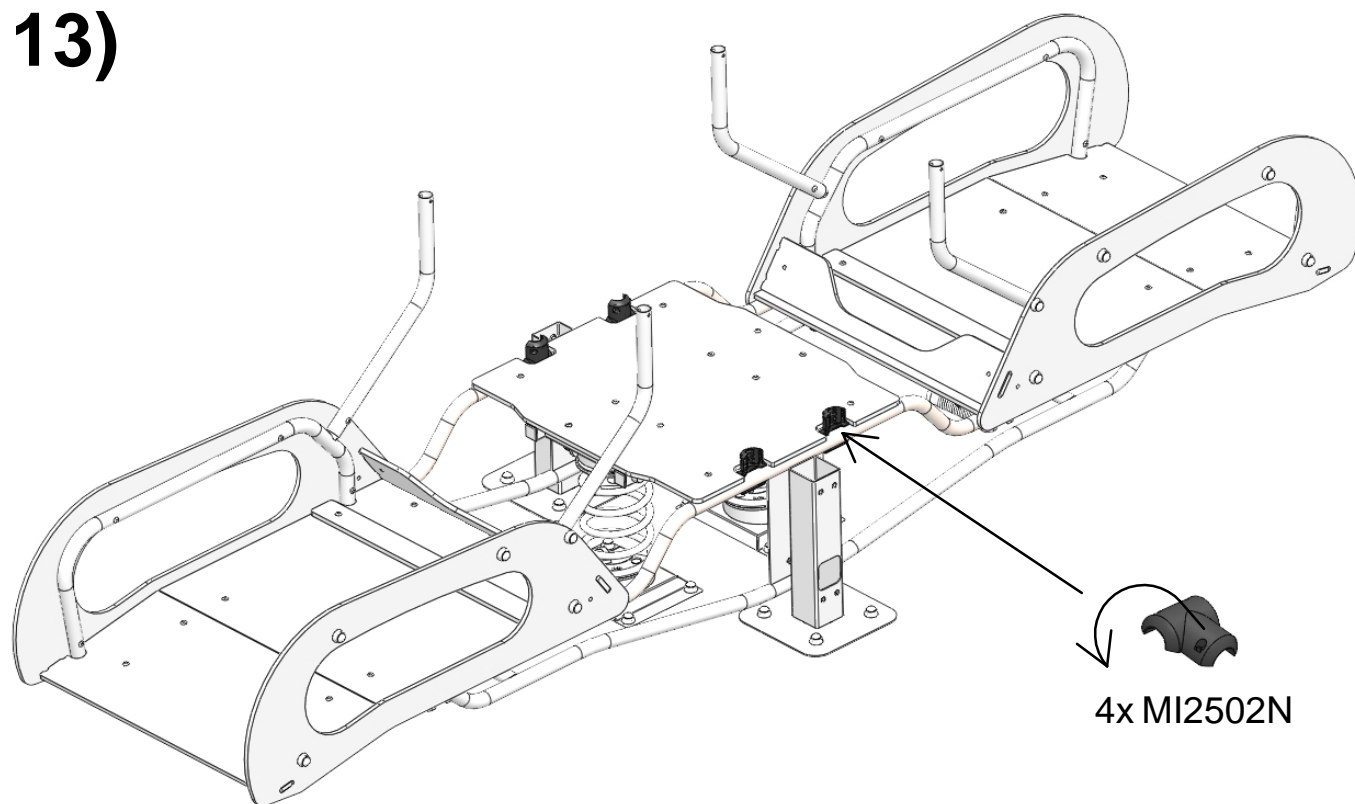
11)



12)

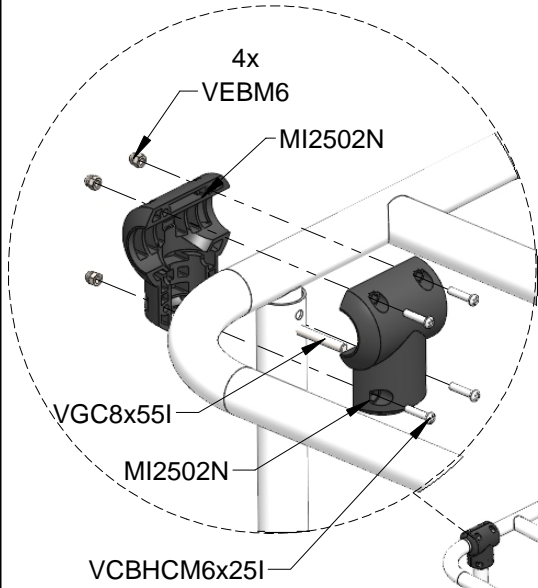


13)

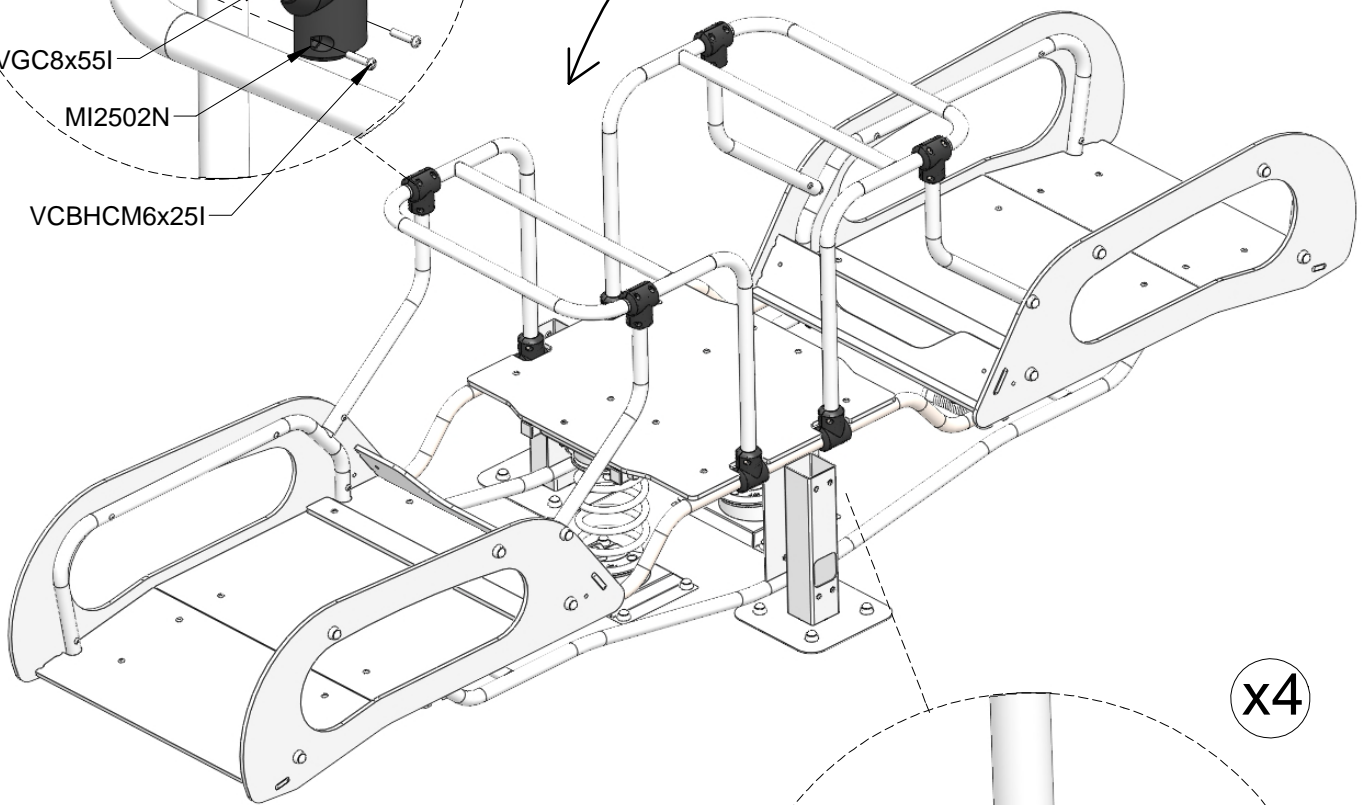
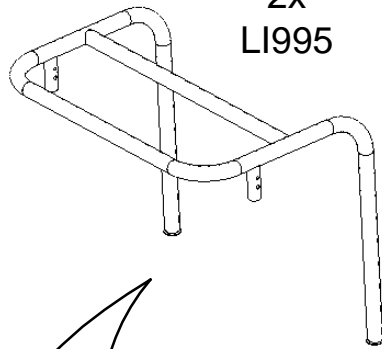


14)

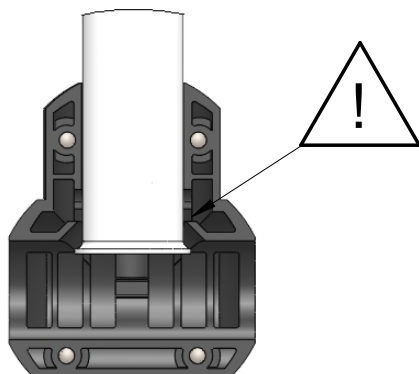
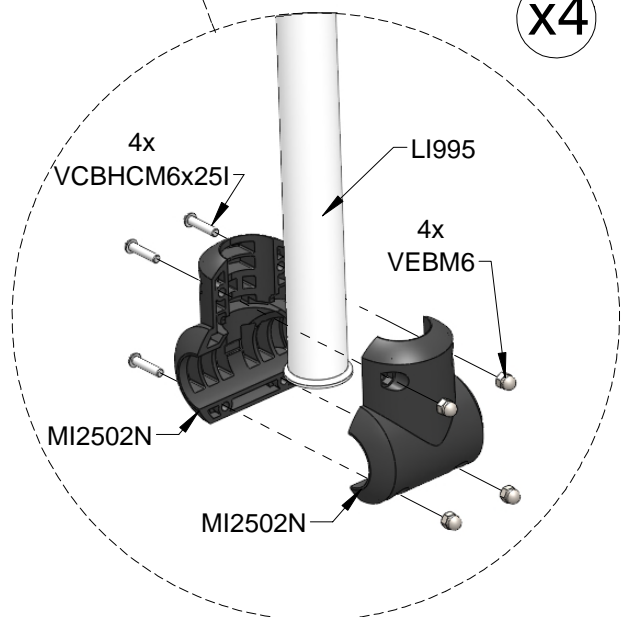
2x
LI995



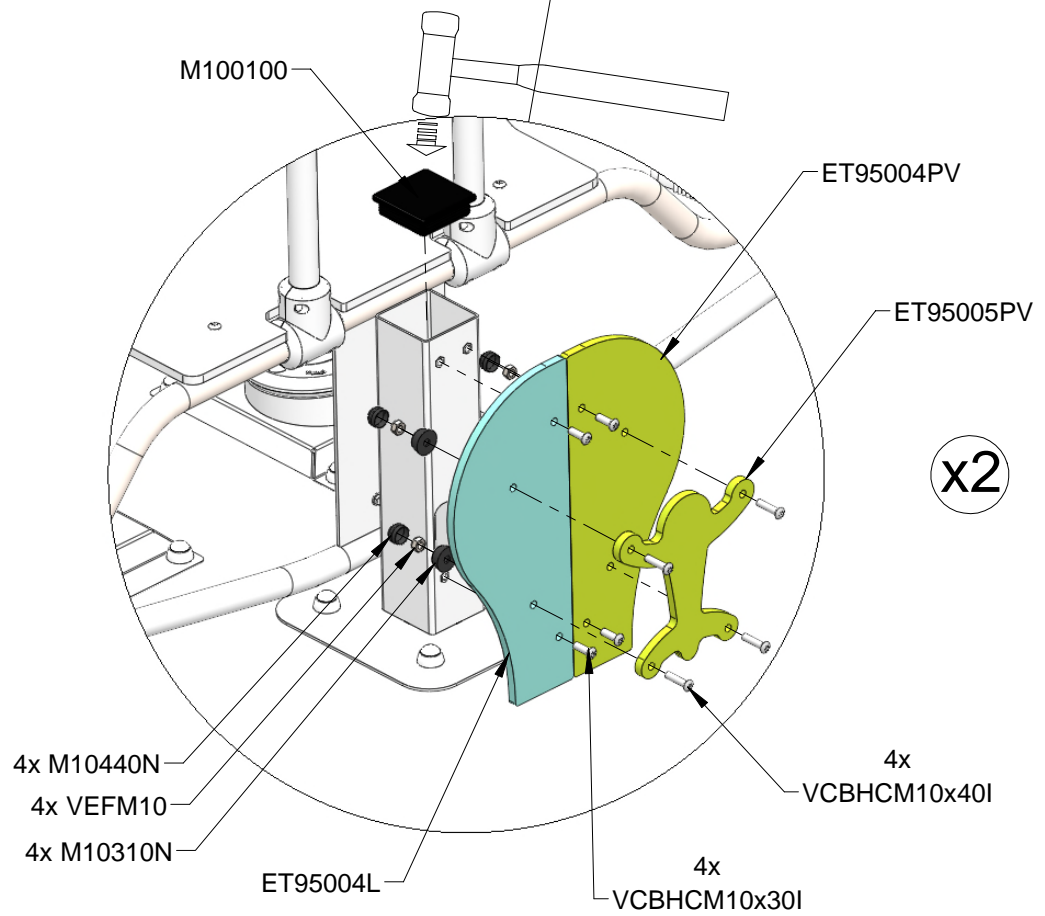
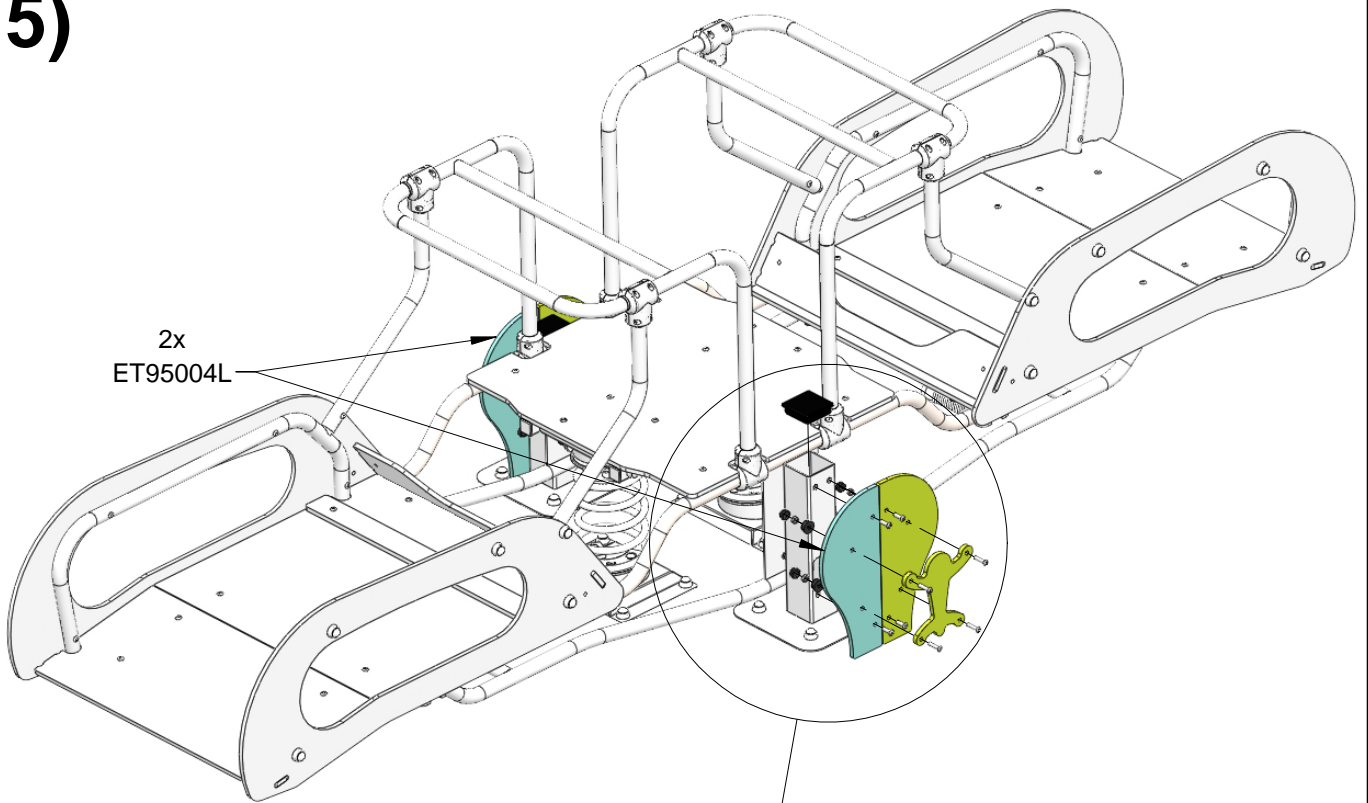
x4

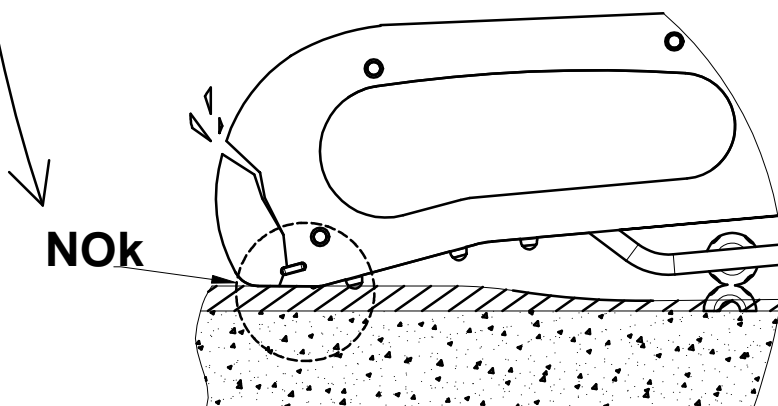
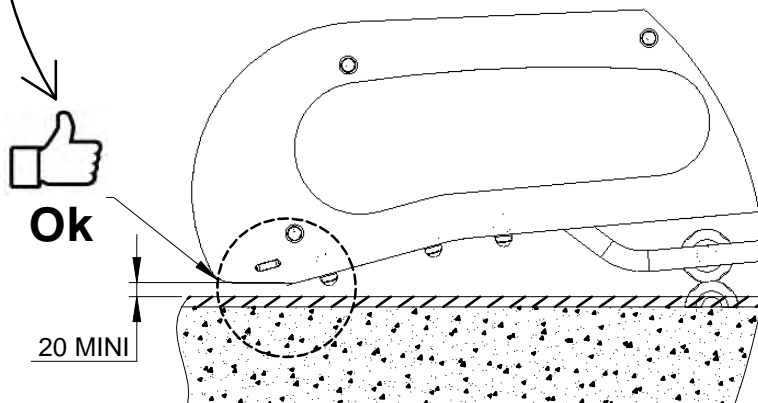
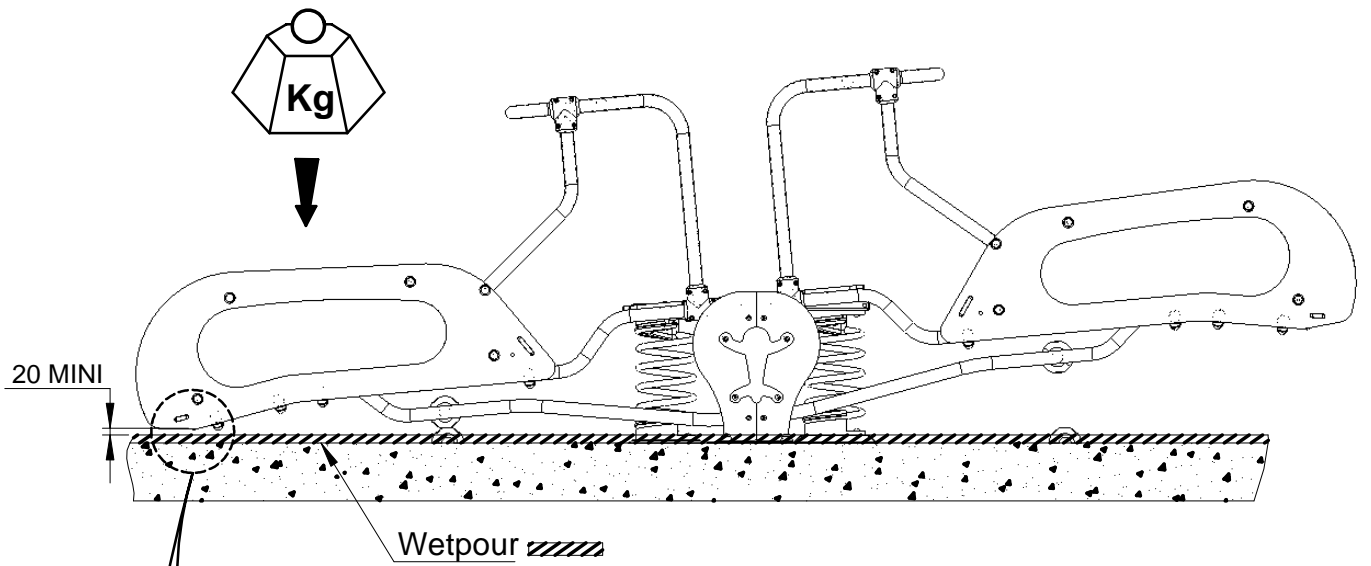


x4

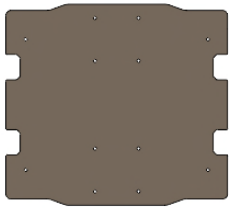


15)

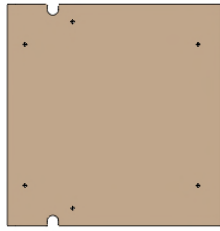




1x
FT95006



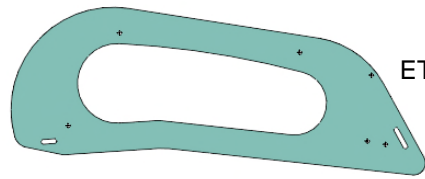
2x
FT95007



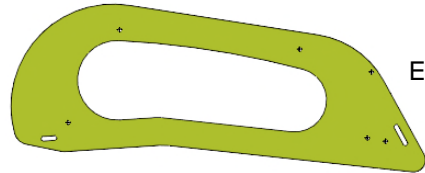
2x
FT95008



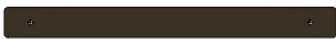
2x
ET95002L



2x
ET95002PV



2x
FT95009



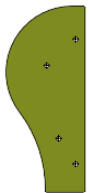
2x
ET95005PV



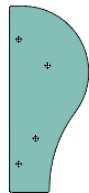
1x
ET95003L



2x
ET95004PV



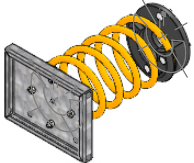
2x
ET95004L



1x
ET95003PV



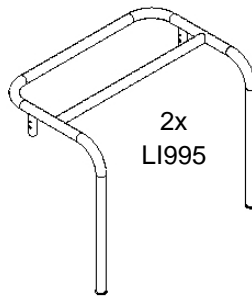
2x
U811



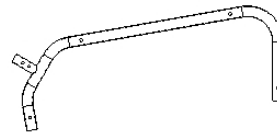
2x
LG871



2x
LI995



4x
LI992



4x
LI993



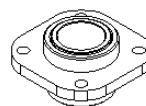
6x
M3702



16x
MI2502N



2x
U1198



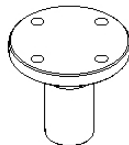
1x
P13



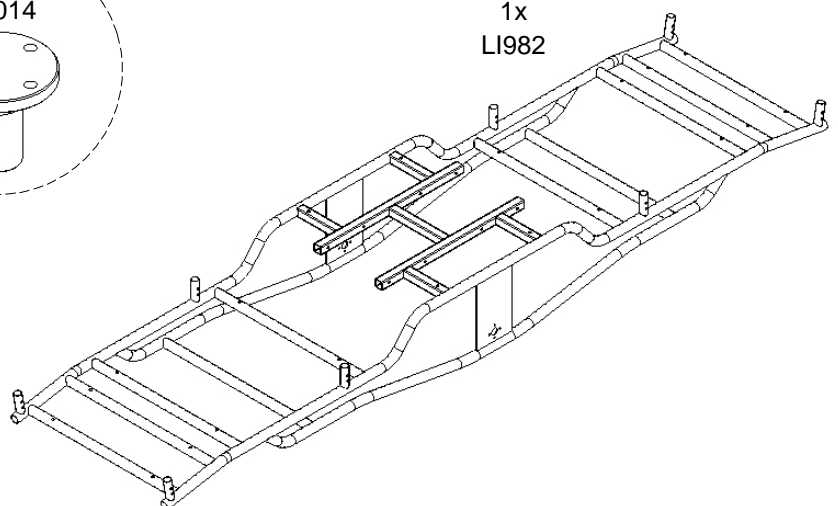
2x
M100100



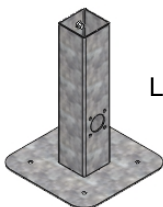
2x
LI1014

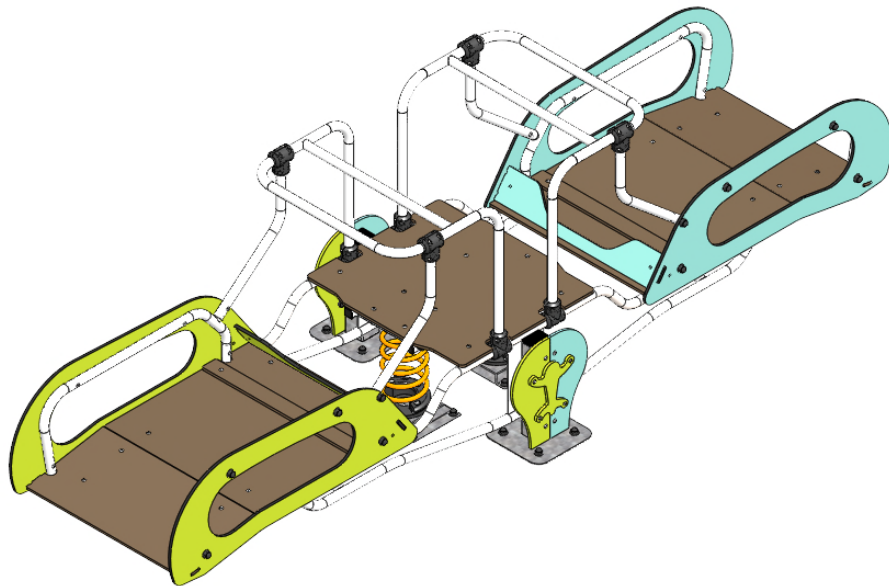


1x
LI982



2x
LG9626





Réf	Qté
ET95002L	2
ET95002PV	2
ET95003L	1
ET95003PV	1
ET95004L	2
ET95004PV	2
ET95005PV	2
FT95006	1
FT95007	2
FT95008	2
FT95009	2
LA000	1
LG871	2
LG9626	2
LI982	1
LI992	4
LI993	4
LI995	2
LI1014	2
M42	4
M3702	6
M4040	4
M8310N	1
M8440N	1
M10310N	69
M10440N	85
M100100	2
MI0002	1
MI2502N	16
MI2503N	16
RD14M10	16
U8110	2
U1198	2
VBTR6X35	8
VCBHCM6x25I	32
VCBHCM10x30I	8
VCBHCM10x40I	12
VCBHCM10x70I	49
VCHE6X140	8
VEBM6	32
VEFBM8	8
VEFM6	8
VEFM8	8
VEFM10	69
VGC8x55I	4
VR6x16	16
VR8x18	16
VTH6x30A	1
VTH8x25	16
VTH10x60	8