



N°		
1	0.6 m	15 m <sup>2</sup>

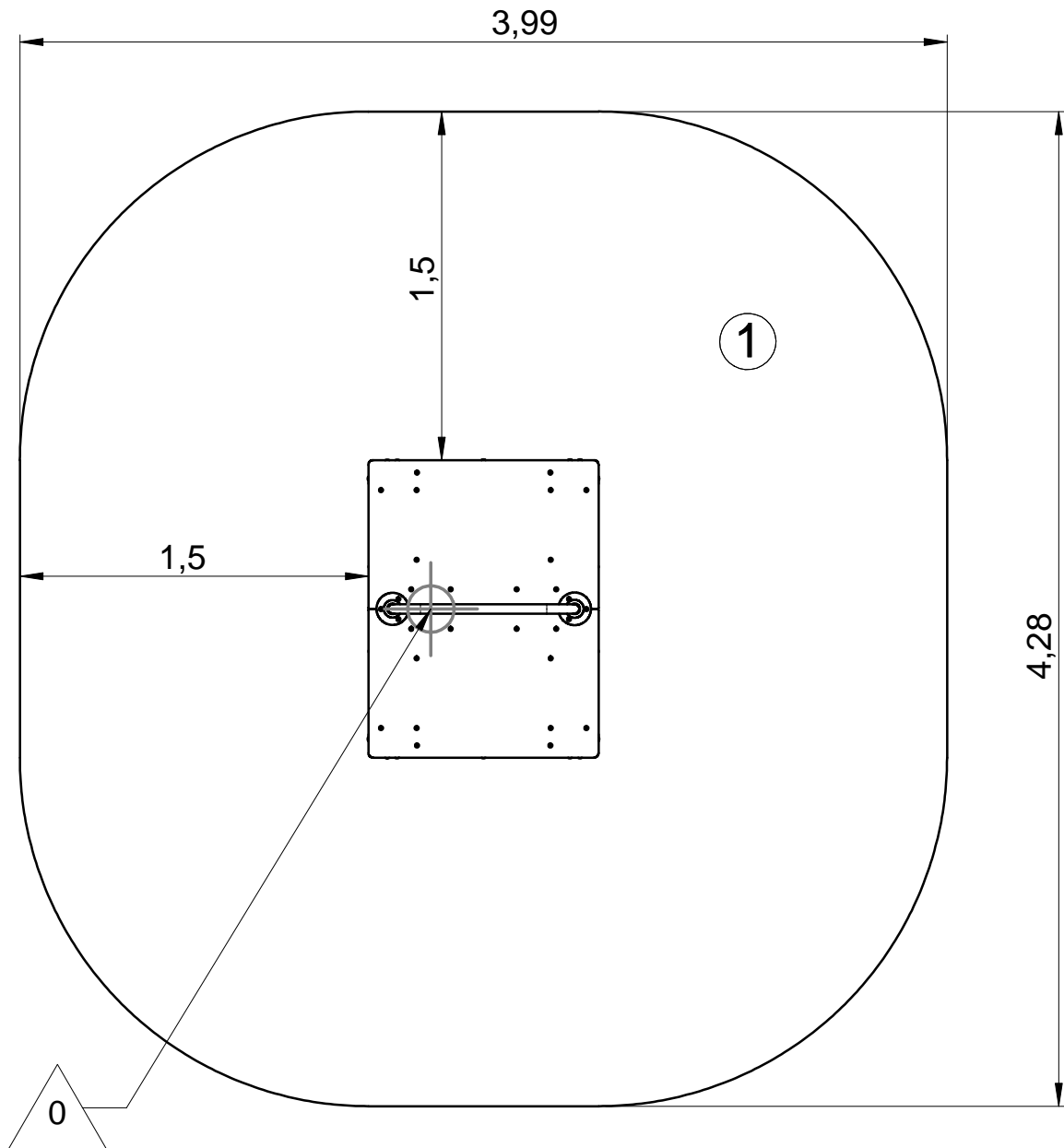
— Zone d'impact  
Impact area  
Area de impacto  
Fallraum  
Valzone

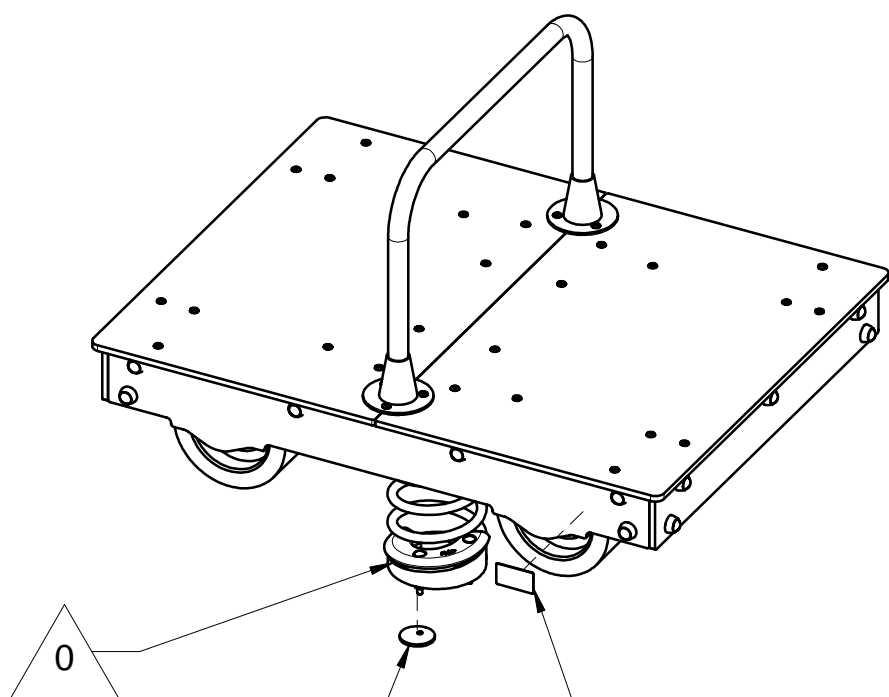


Point de référence  
Setting out point  
Punto de referencia  
Bezugspunkt  
Referentiepunt

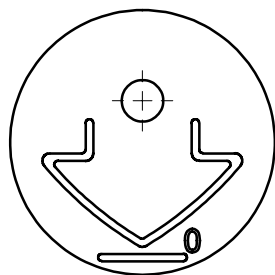
- - - Espace libre  
Free space  
Espacio libre  
Freiraum  
Vrije ruimte

EN1176-1:2017  
EN1176-6:2017

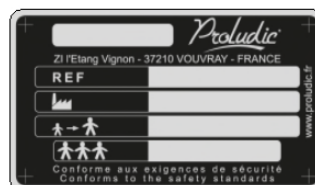




MI0002

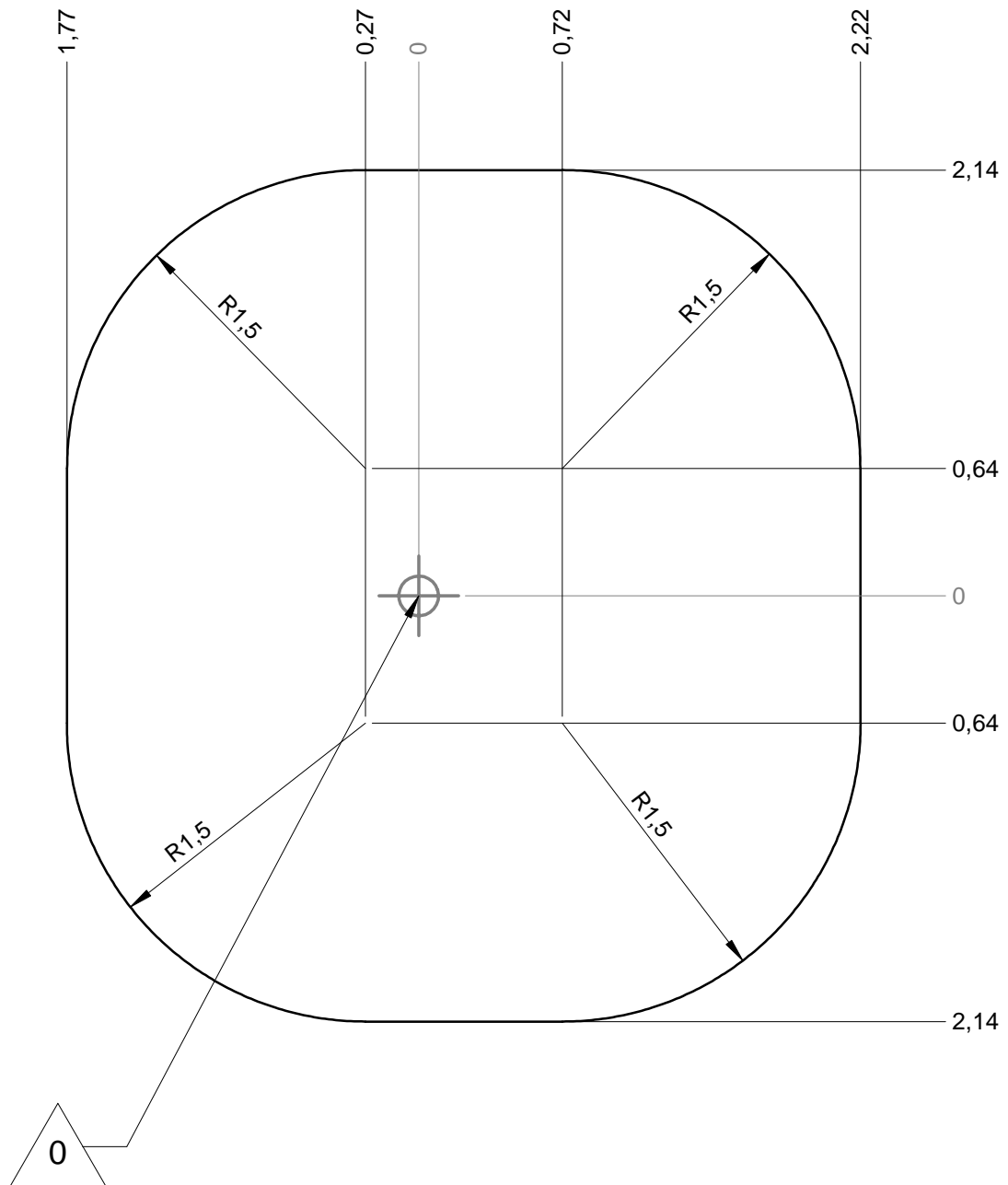


LA000



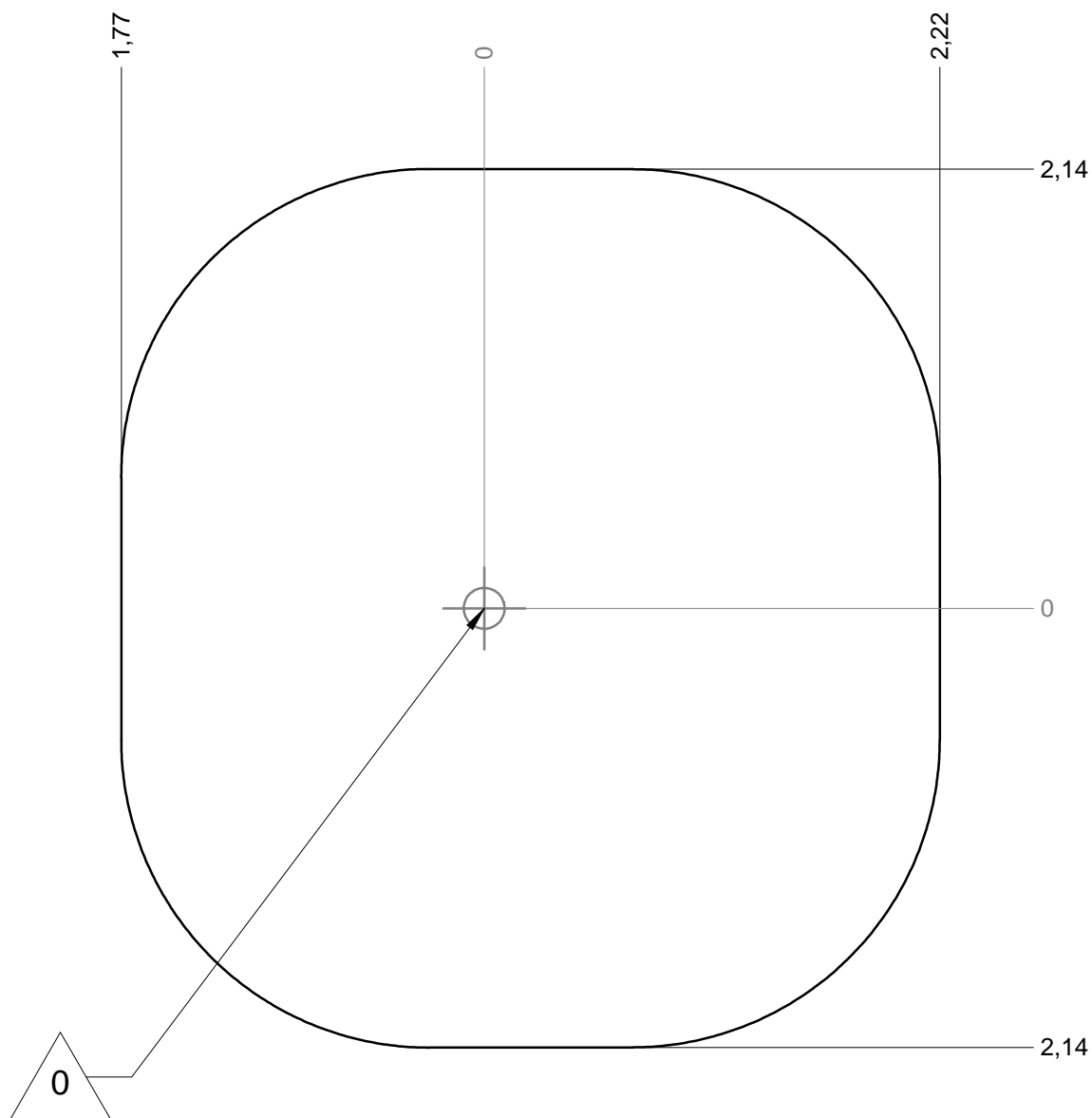
— Zone d'impact  
 Impact area  
 Area de impacto  
 Fallraum  
 Valzone

**15 m<sup>2</sup>**



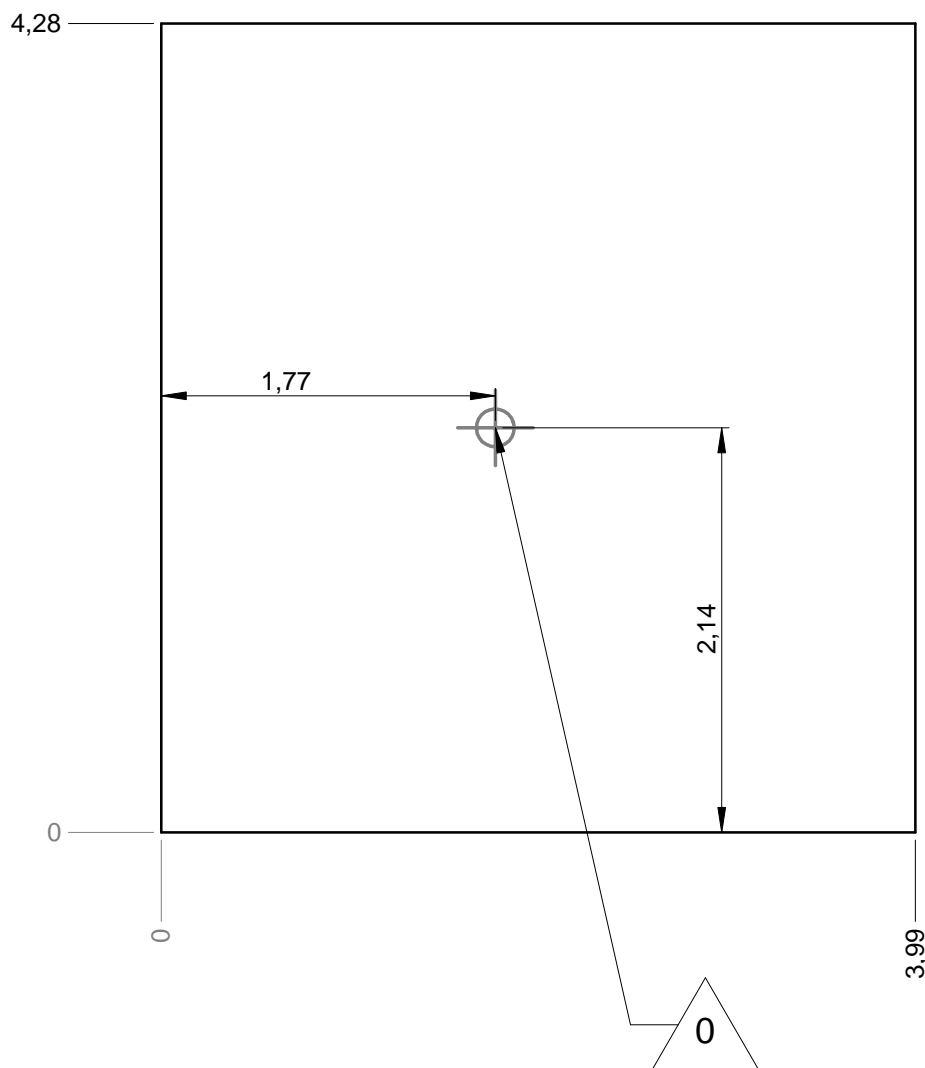
— Sol souple  
Wetpour  
Caucho continuo  
Synthetischer Fallschutz  
Gietvloer

15 m<sup>2</sup>

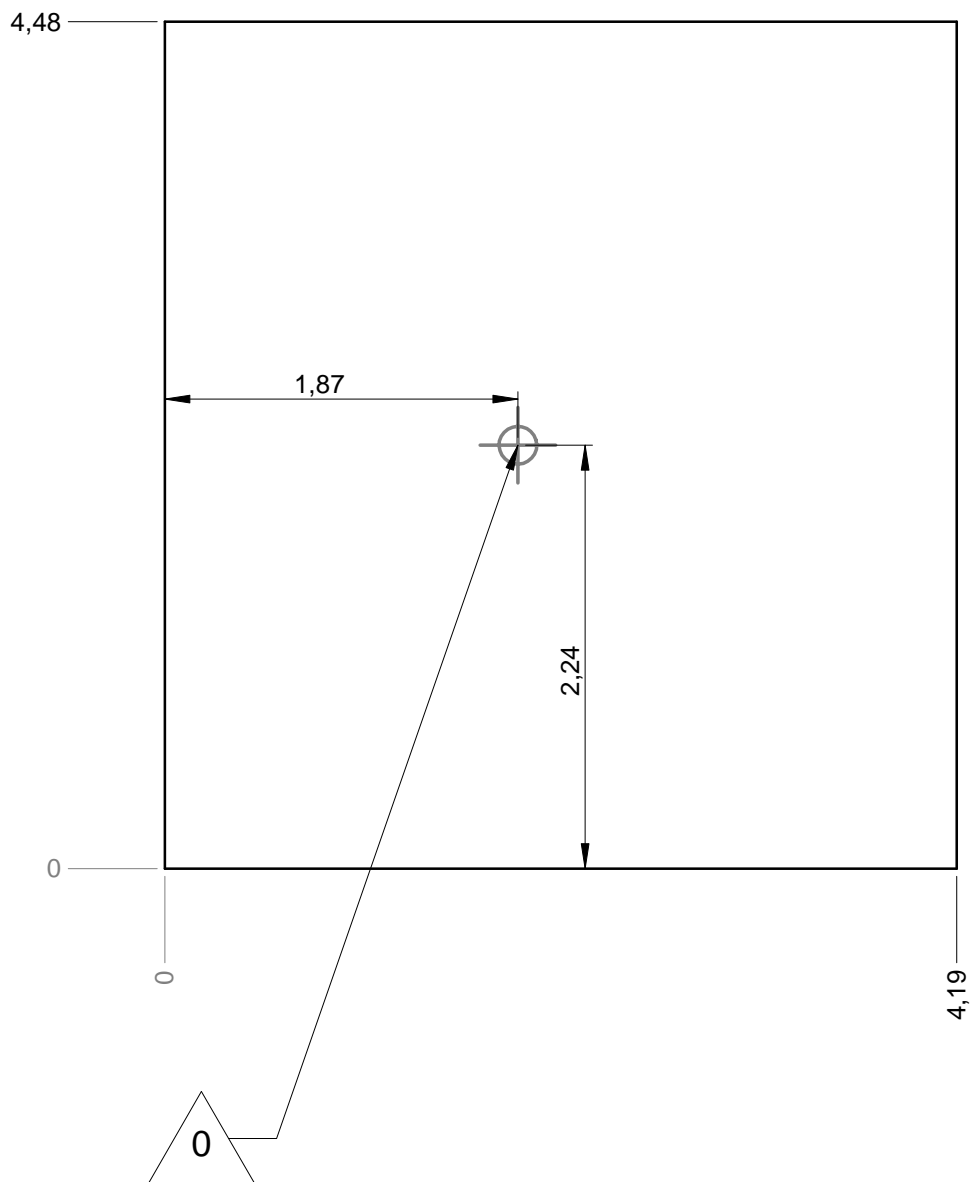


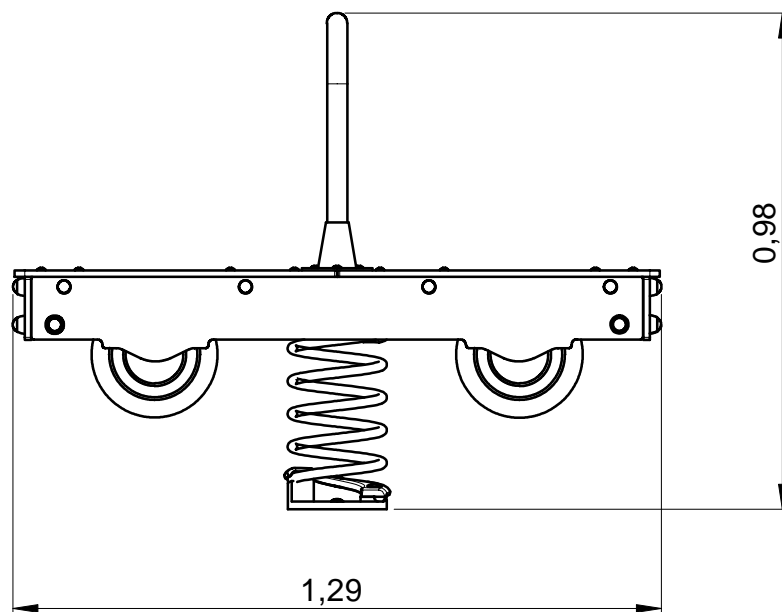
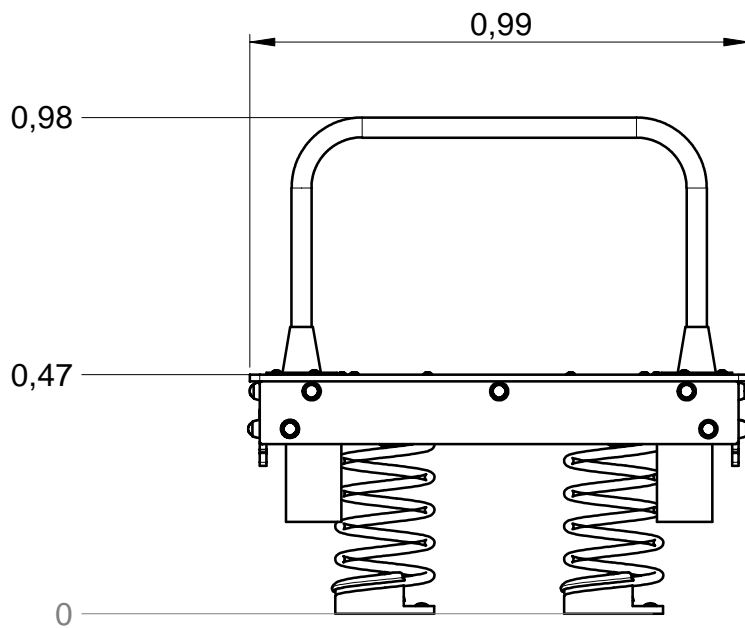
— Dalle béton  
Concrete pad  
Solera de hormigon  
Beton Bodenplatte  
Betonnen bodemplaat

17 m  
17 m<sup>2</sup>



— Sol fluent  
Loos partucule material 18 m  
Arenero  
Loses Bodenmaterial 19 m<sup>2</sup>  
Los bodemmaterial

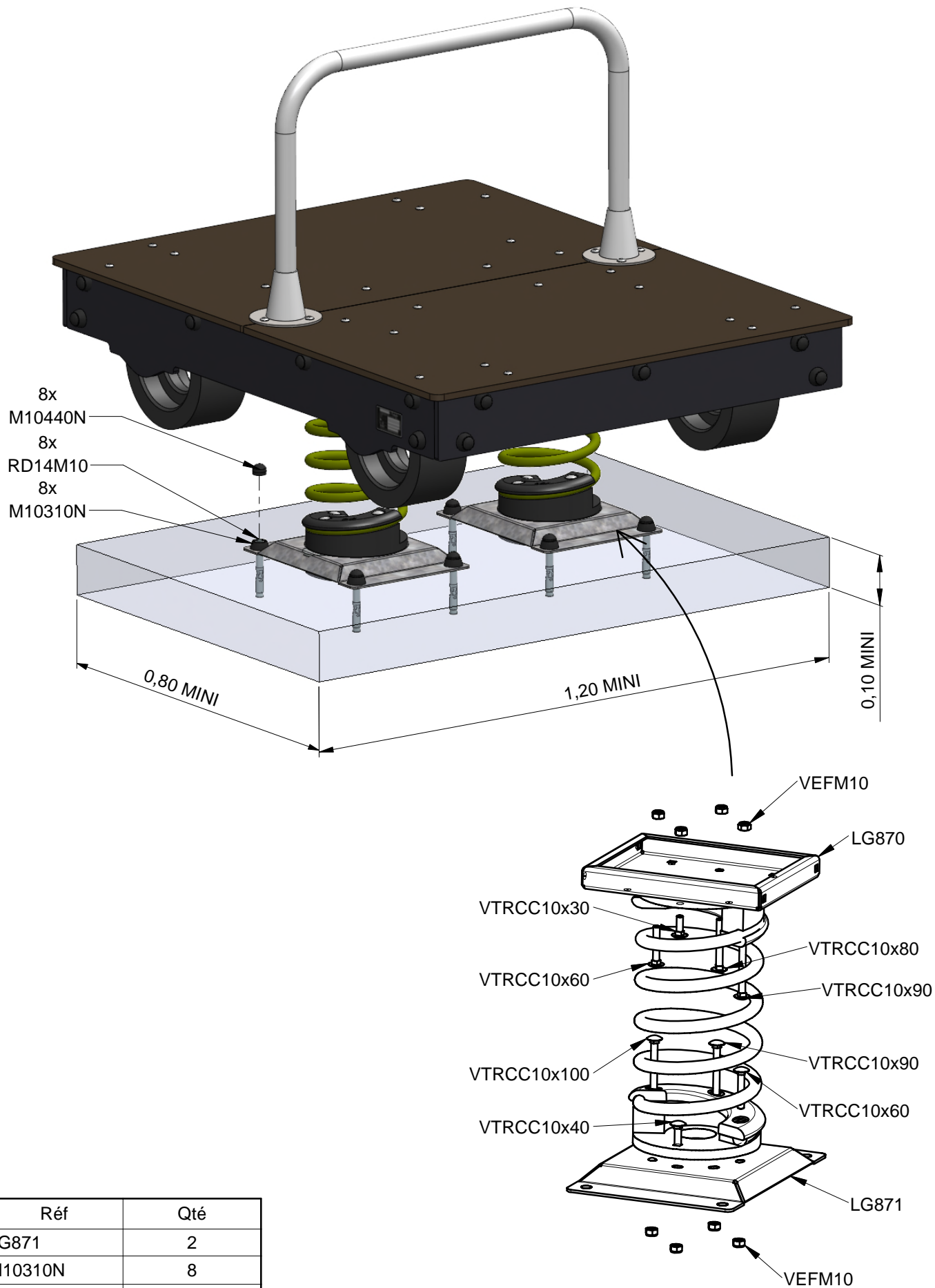






# J953B

*ProLudic*

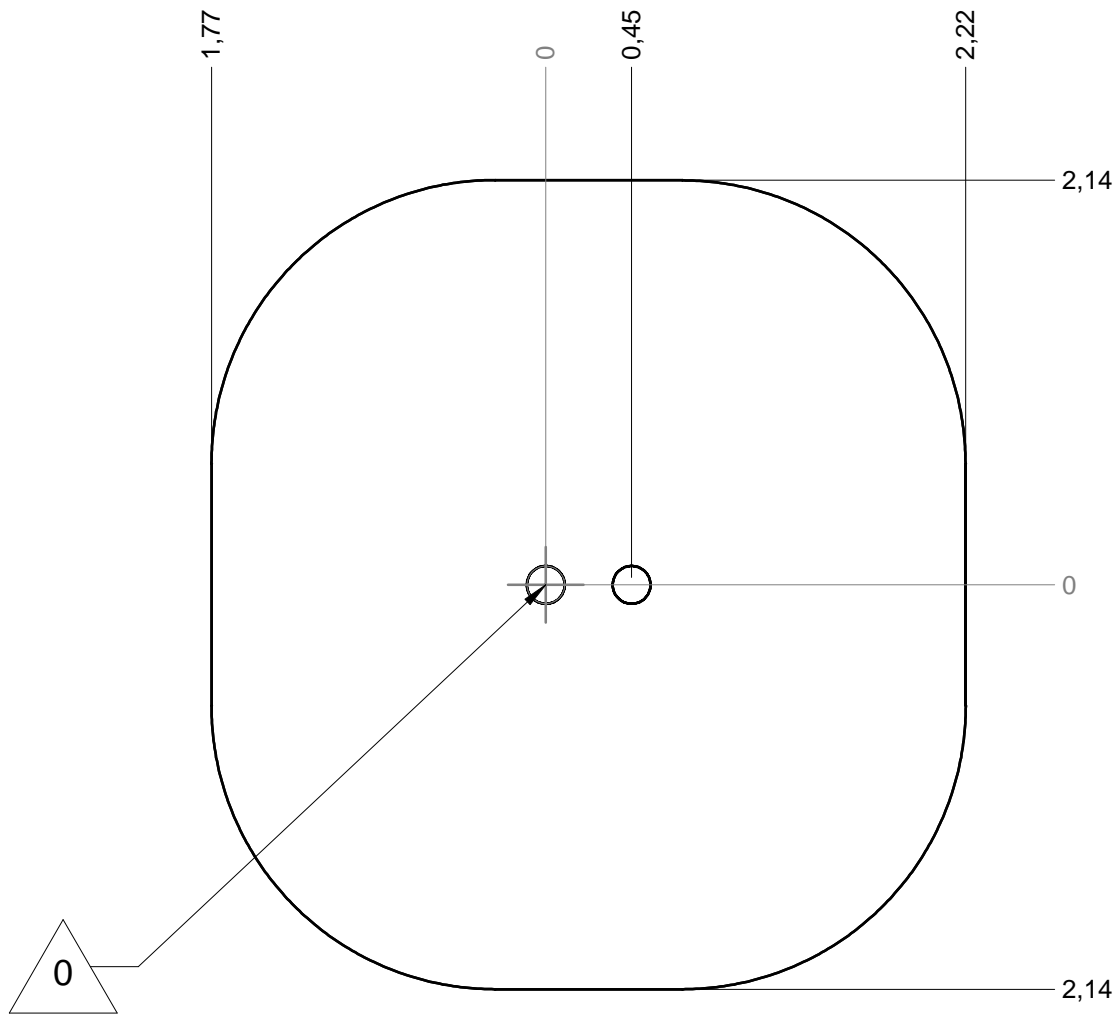





Réf	Qté
LG871	2
M10310N	8
M10440N	8
RD14M10	8

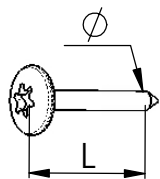
# J953 B

*ProLudic*

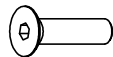
Implantation  
Footing plan  
Implantación  
Fundamentplan  
Funderingstekening



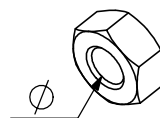
 x2	 2H	 RD14M10
---	--	---



VBT 6 x 30  
 $\varnothing$  L (mm)



VFHC



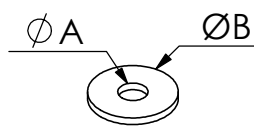
VEC M10  
 $\varnothing$



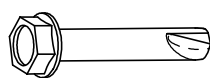
VEF



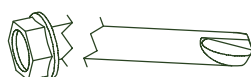
VEB



VR6x18  
 $\varnothing A$   $\varnothing B$



VTHA

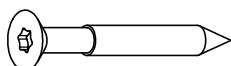


1000 - 1800 RPM

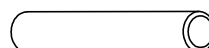
Vitesse de rotation  
 Rotation speed

< 14 N.m

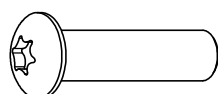
Couple de rupture  
 Breakage torque



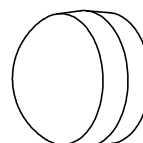
VWT



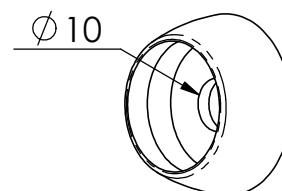
VGC



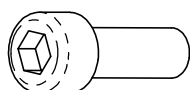
VCBHC



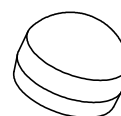
M10 440N



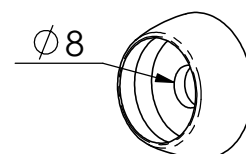
M10 310 N



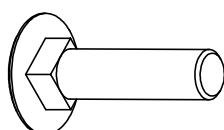
VBTR



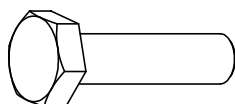
M8440N



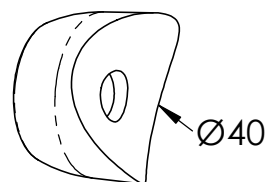
M8310N



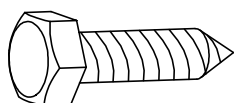
VTRCC



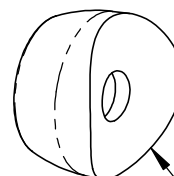
VTH



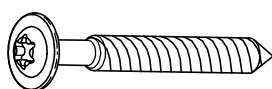
MI2503



VTF

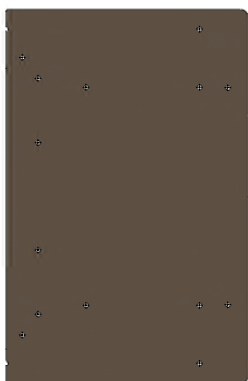


MI2701

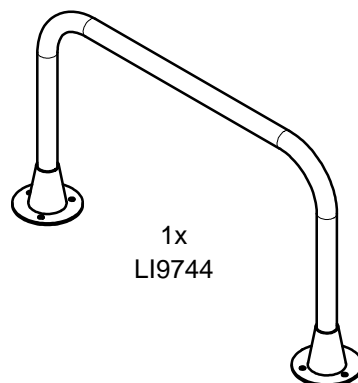
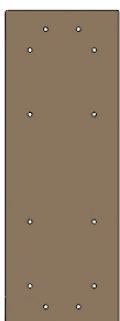


VBT

2x  
FT95000



1x  
FT95001

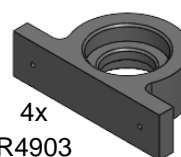


1x  
LI9744

2x  
ET99182

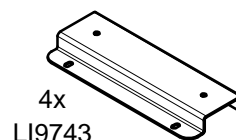


4x  
P13

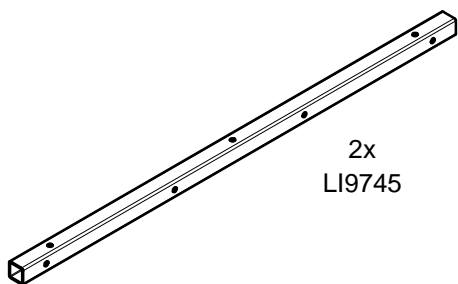


4x  
R4903

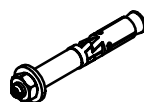
2x  
ET99181



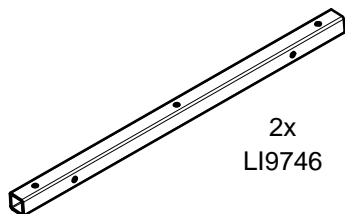
4x  
LI9743



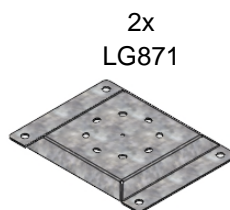
2x  
LI9745



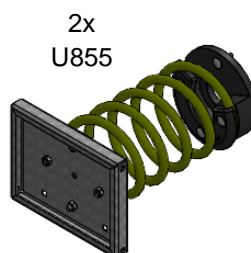
8x  
RD14M10



2x  
LI9746



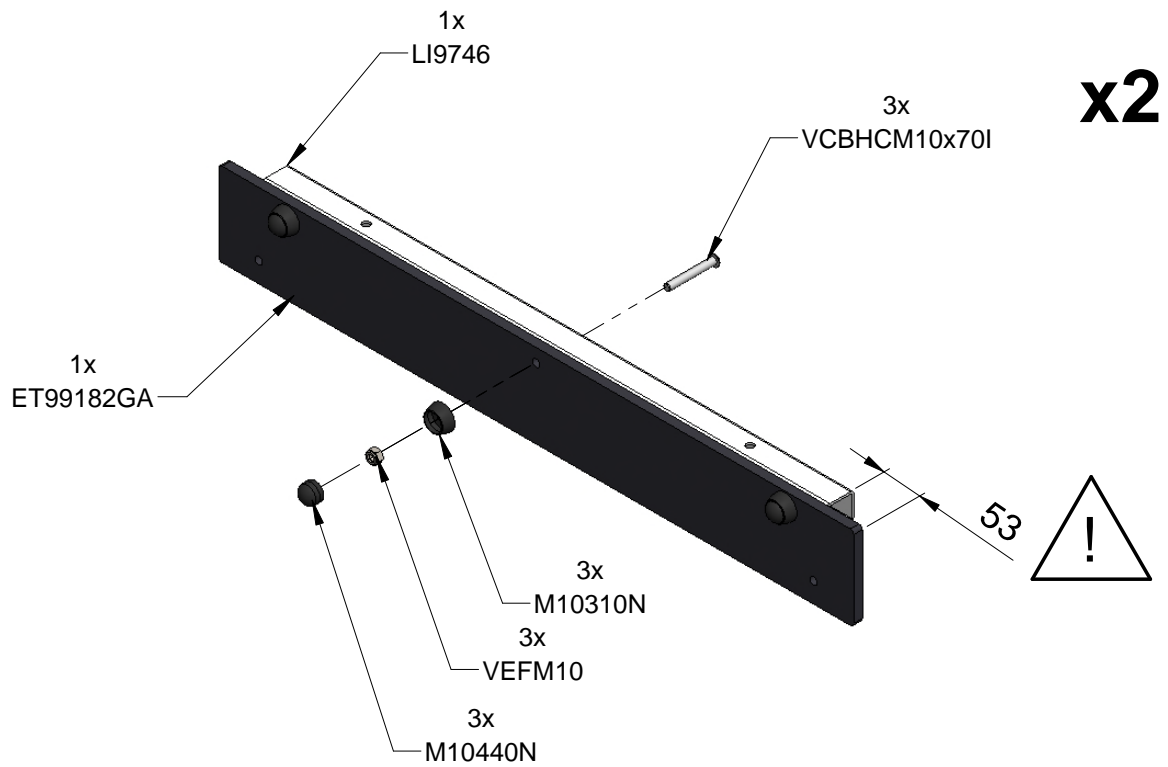
2x  
LG871



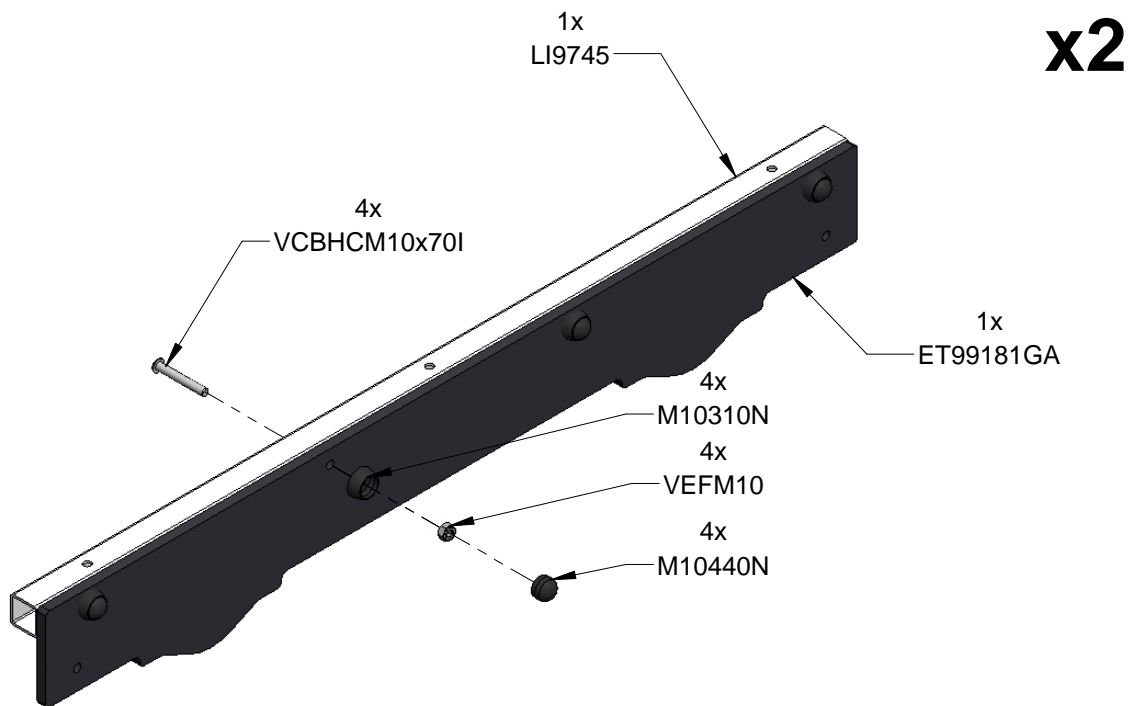
2x  
U855

Réf	Qté
ET99181GA	2
ET99182GA	2
FT95000	2
FT95001	1
LA000	1
LG871	2
LI9743	4
LI9744	1
LI9745	2
LI9746	2
M11	8
M10310N	60
M10440N	60
MI0002	1
P13	4
R4903	4
RD14M10	8
U855VX	2
VCBHCM10x30I	16
VCBHCM10x50I	4
VCBHCM10x60I	8
VCBHCM10x70I	24
VCBHCM10x80I	8
VEFBM10	8
VEFM10	52
VR10x40	8

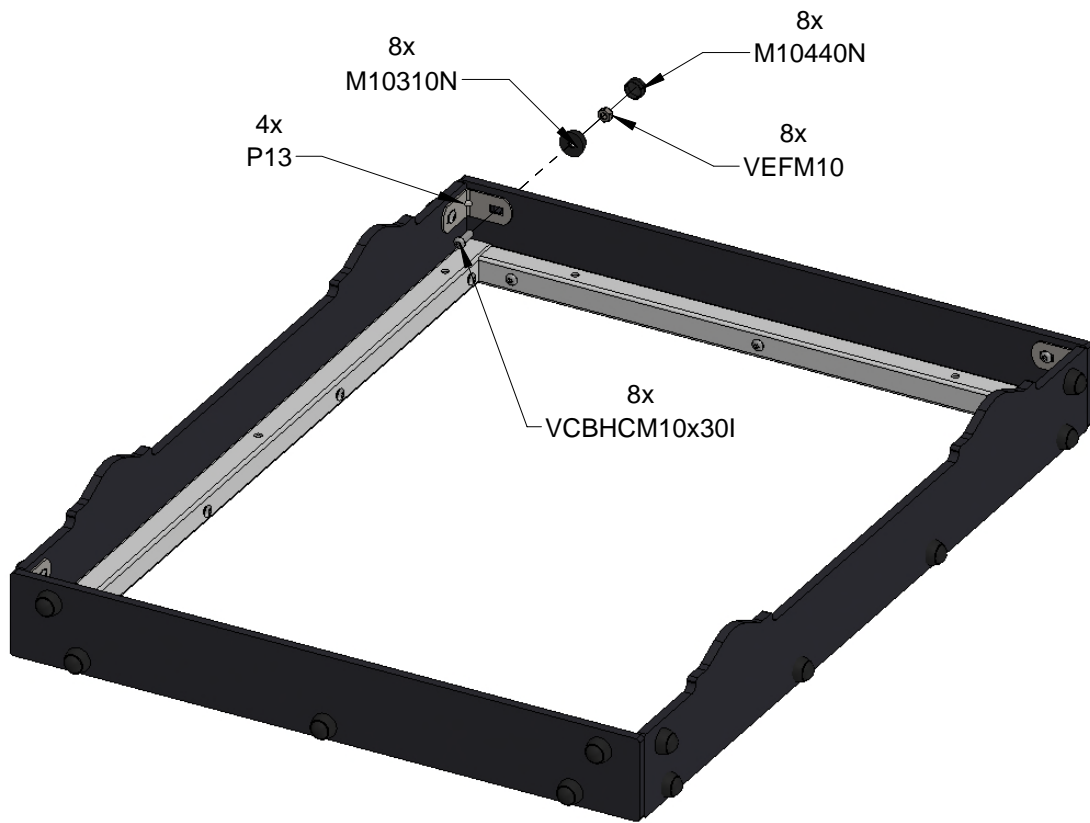
1)



2)

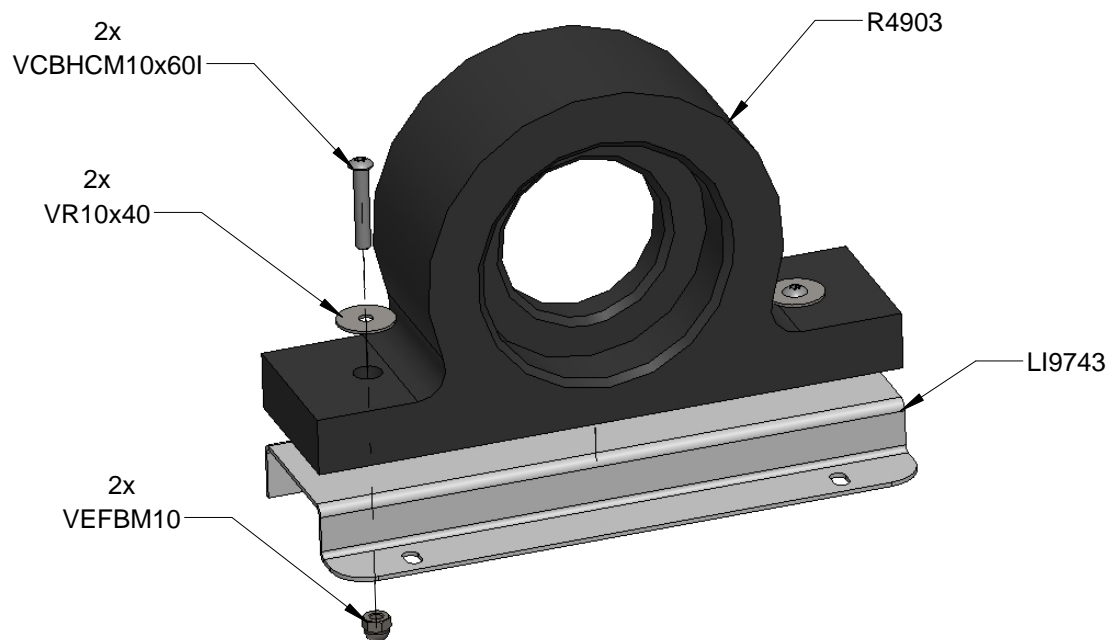


3)

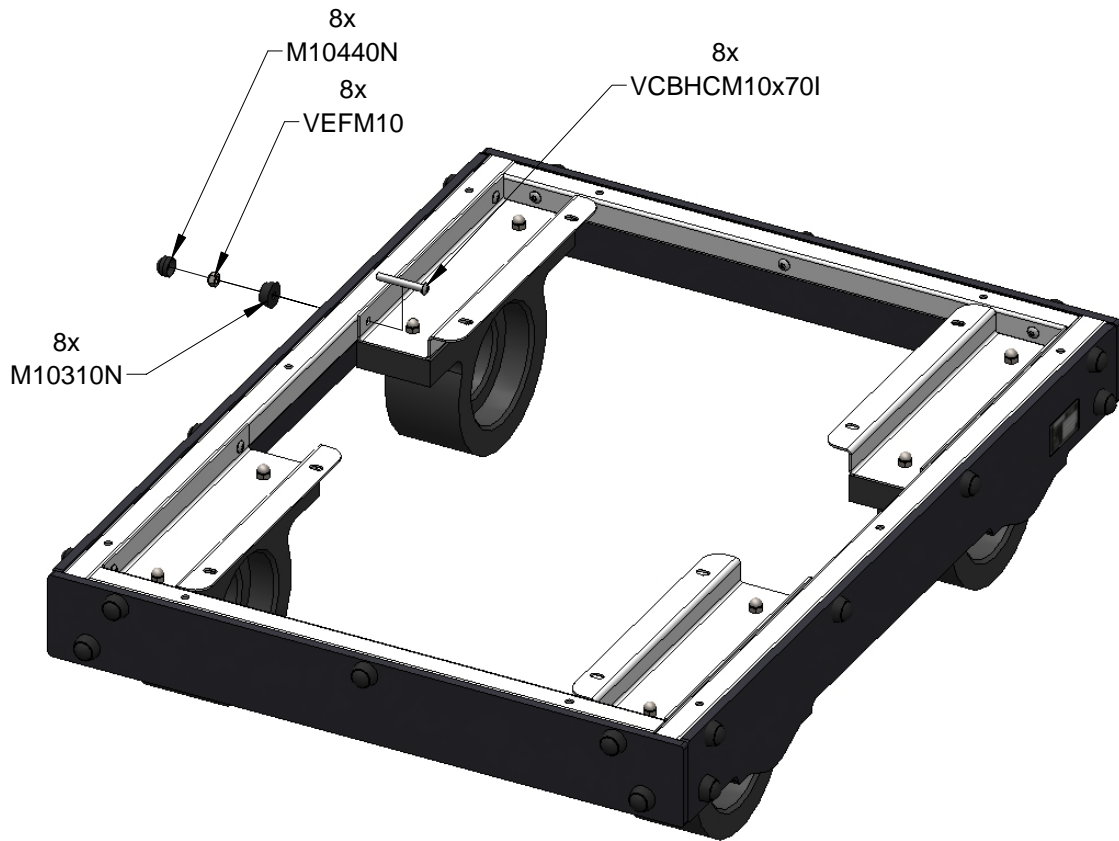


4)

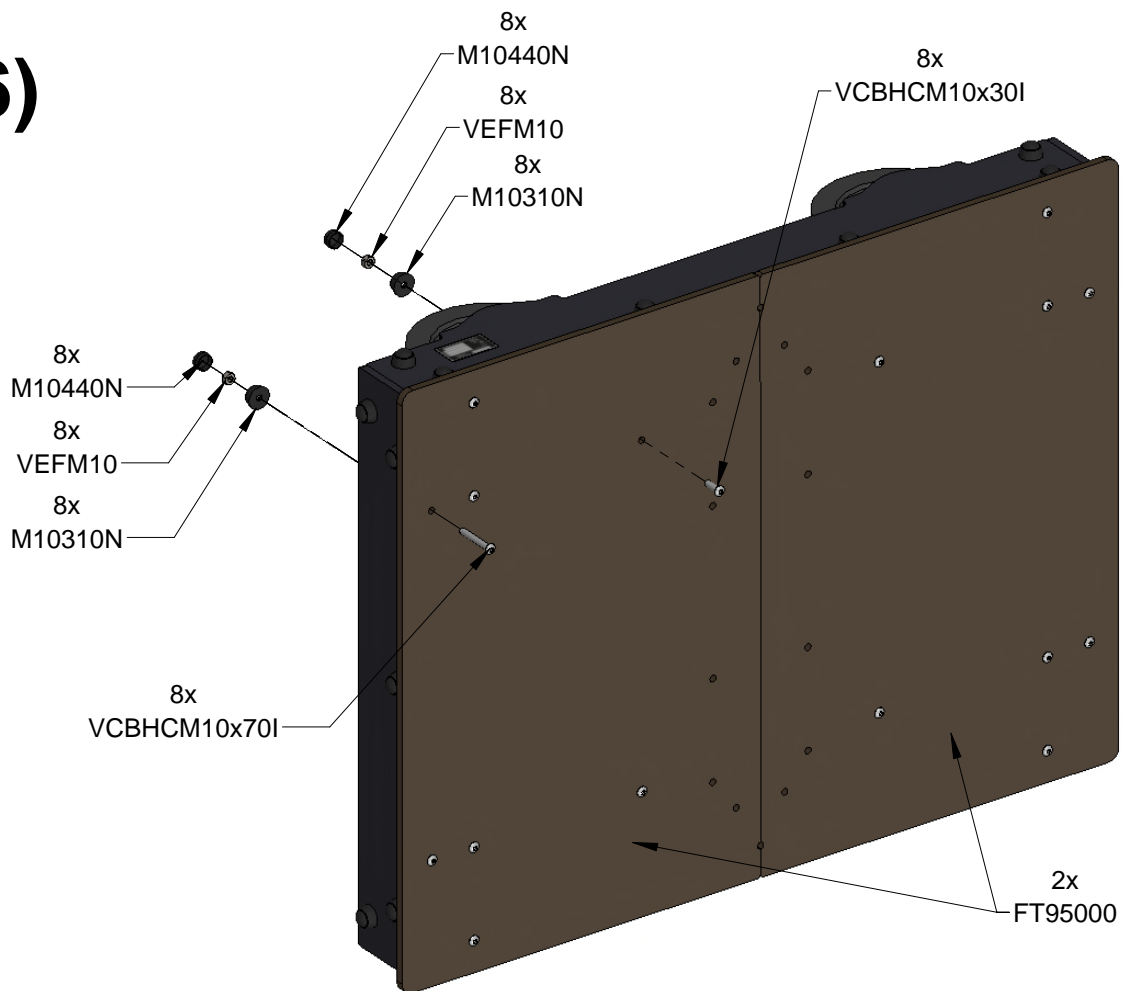
x4



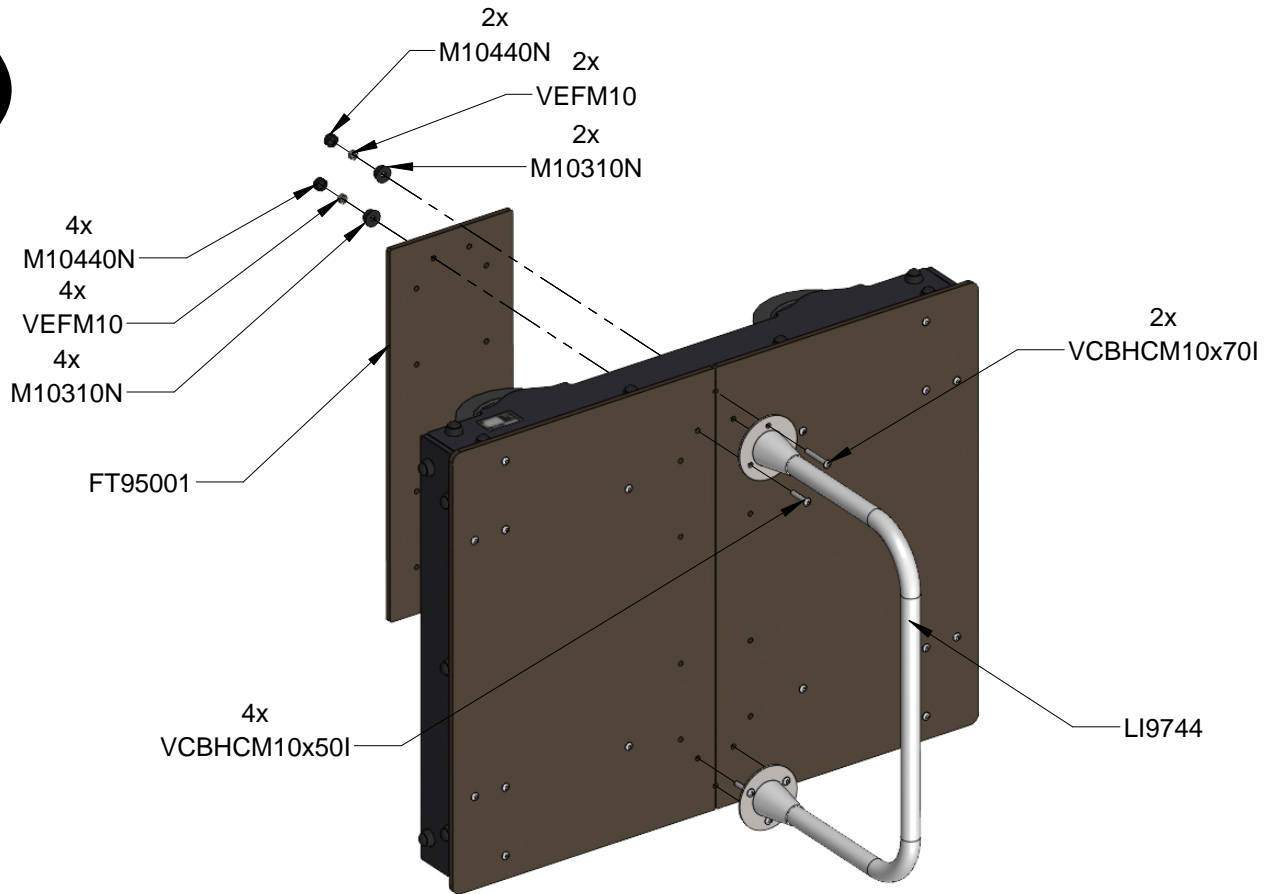
5)



6)



7)



8)

