



N°		
1	0.6 m	30 m ²
2	1 m	18.5 m ²

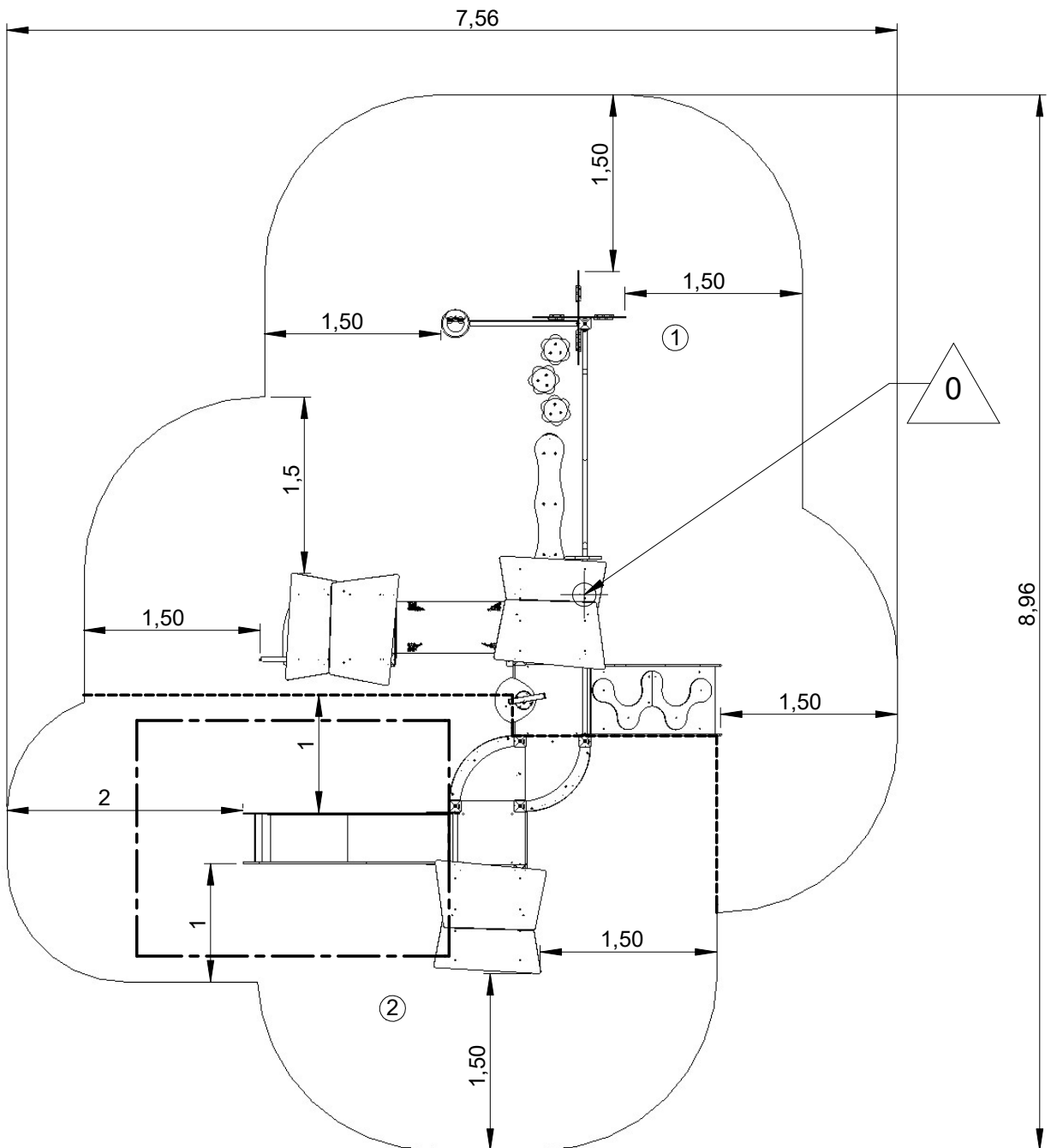
— Zone d'impact
Impact area
Area de impacto
Fallraum
Valzone

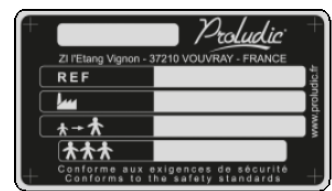
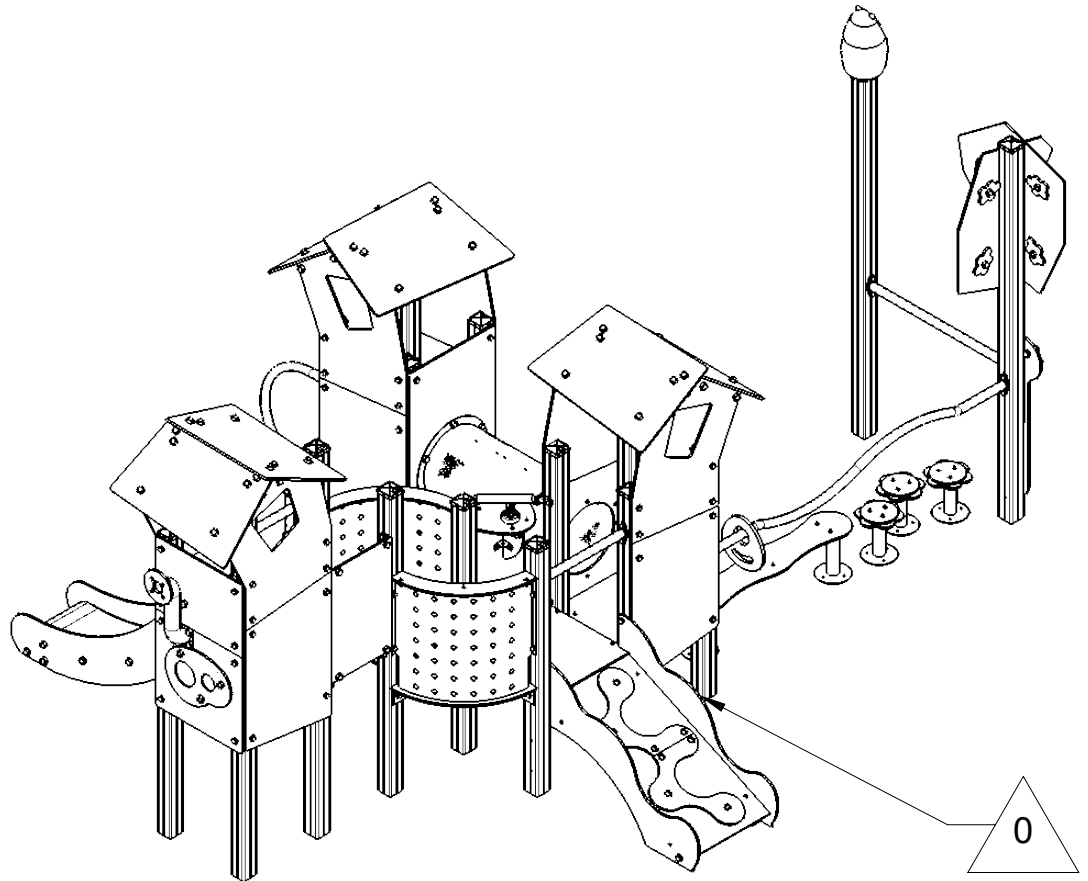


Point de référence
Setting out point
Punto de referencia
Bezugspunkt
Referentiepunt

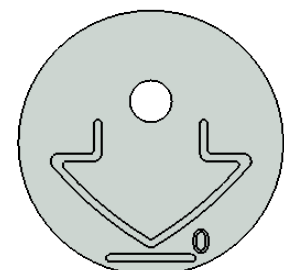
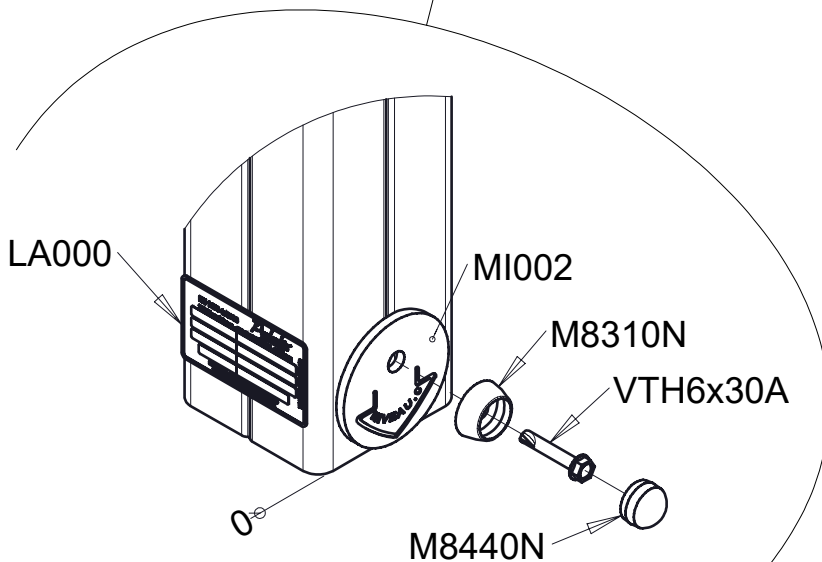
- - - Espace libre
Free space
Espacio libre
Freiraum
Vrije ruimte

EN1176-1:2017
EN1176-3:2017





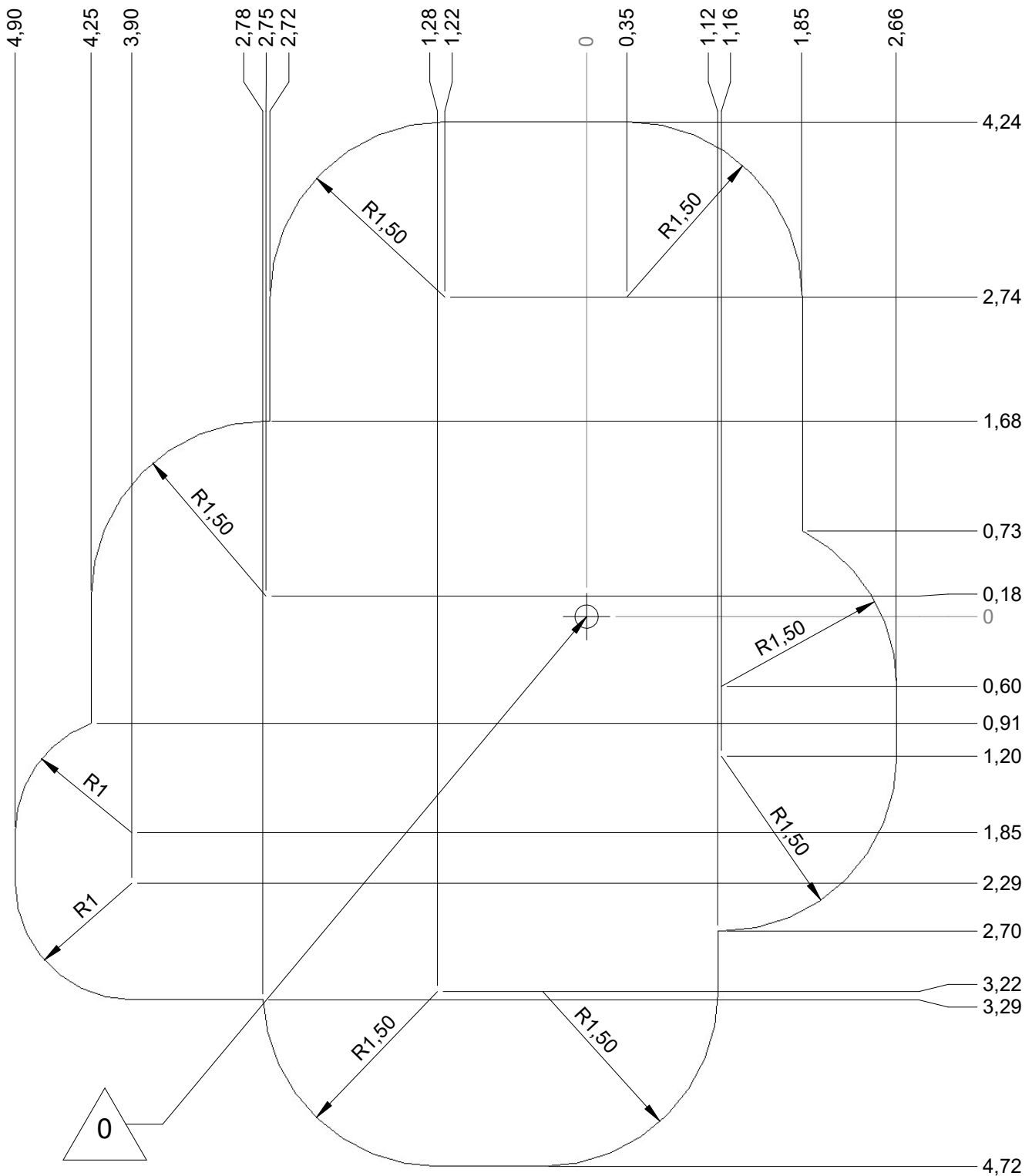
LA000



MI0002

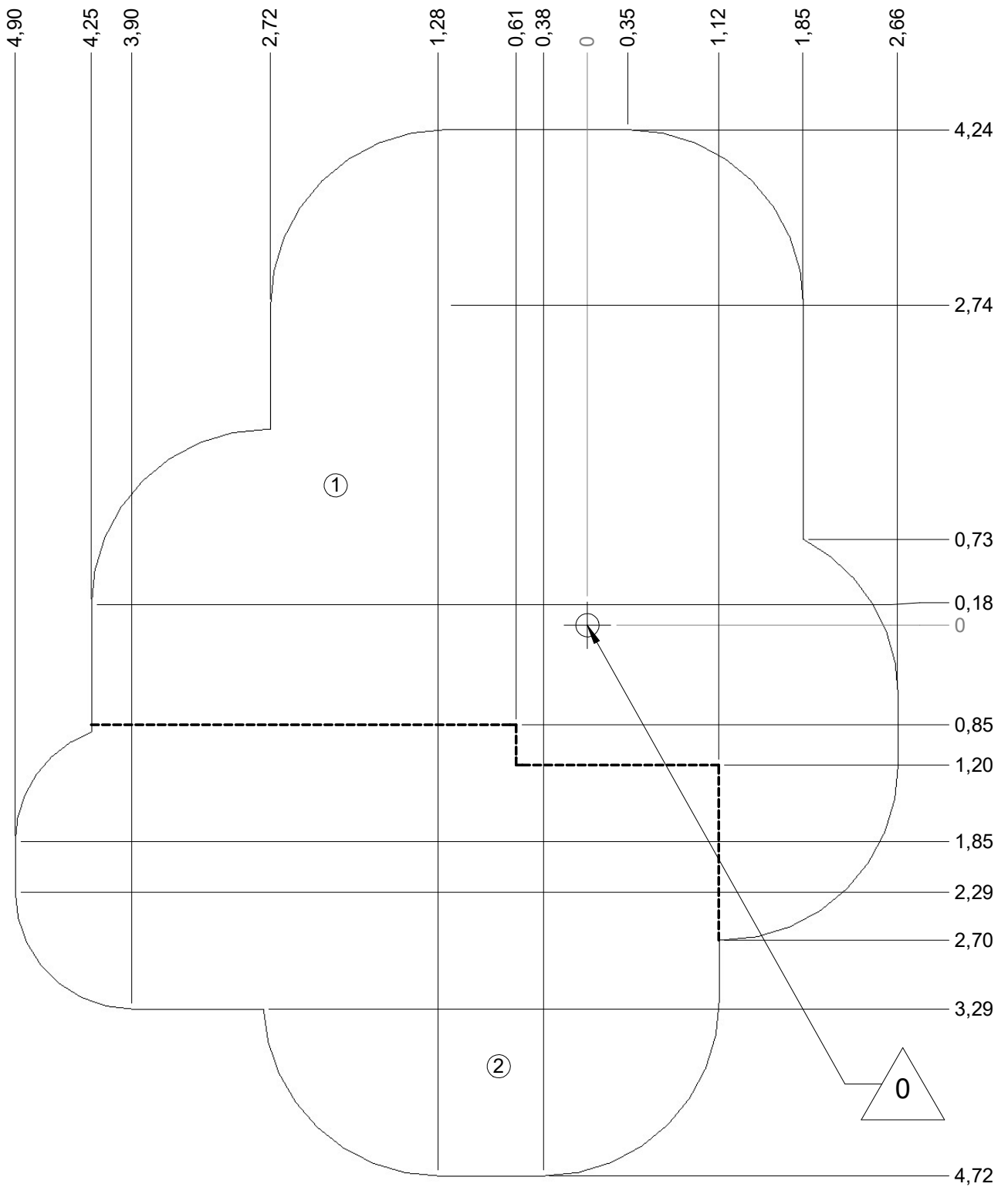
— Zone d'impact
 Impact area
 Area de impacto
 Fallraum
 Valzone

48.5 m²



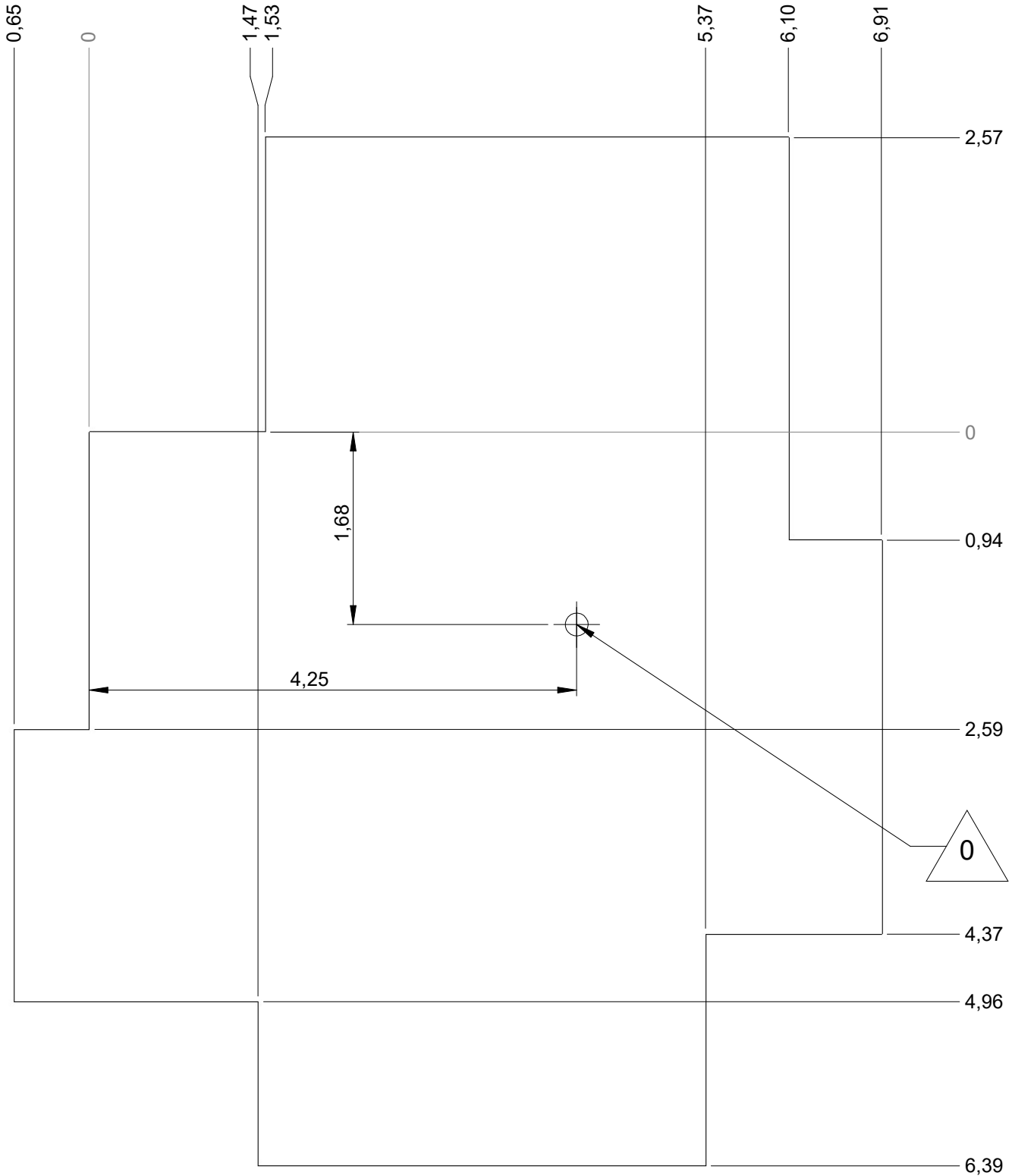
— Sol souple
 Wetpour
 Caucho continuo
 Synthetischer Fallschutz
 Gietvloer

48.5 m²



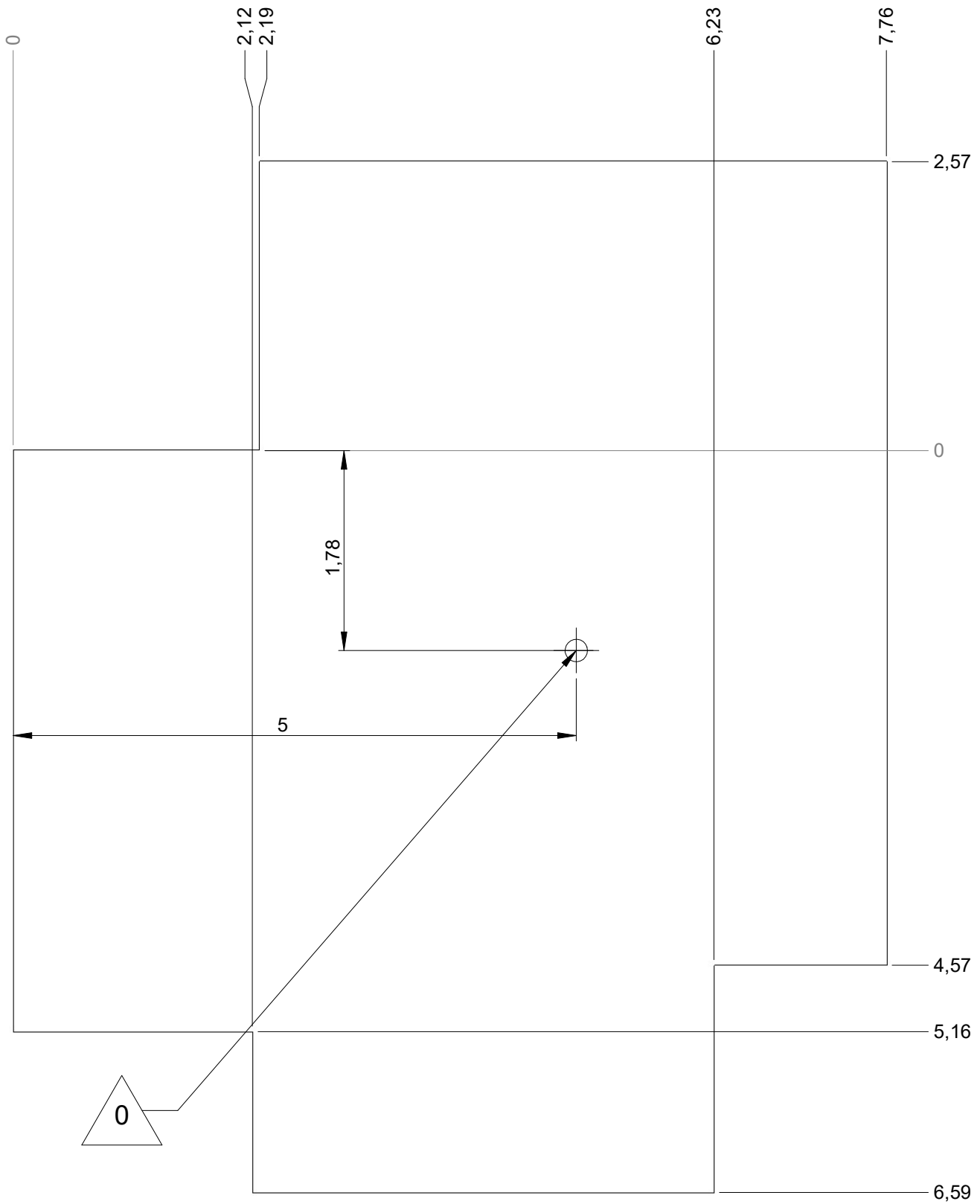
— Dalle béton
 Concrete pad
 Solera de hormigon
 Beton Bodenplatte
 Betonnen bodemplaat

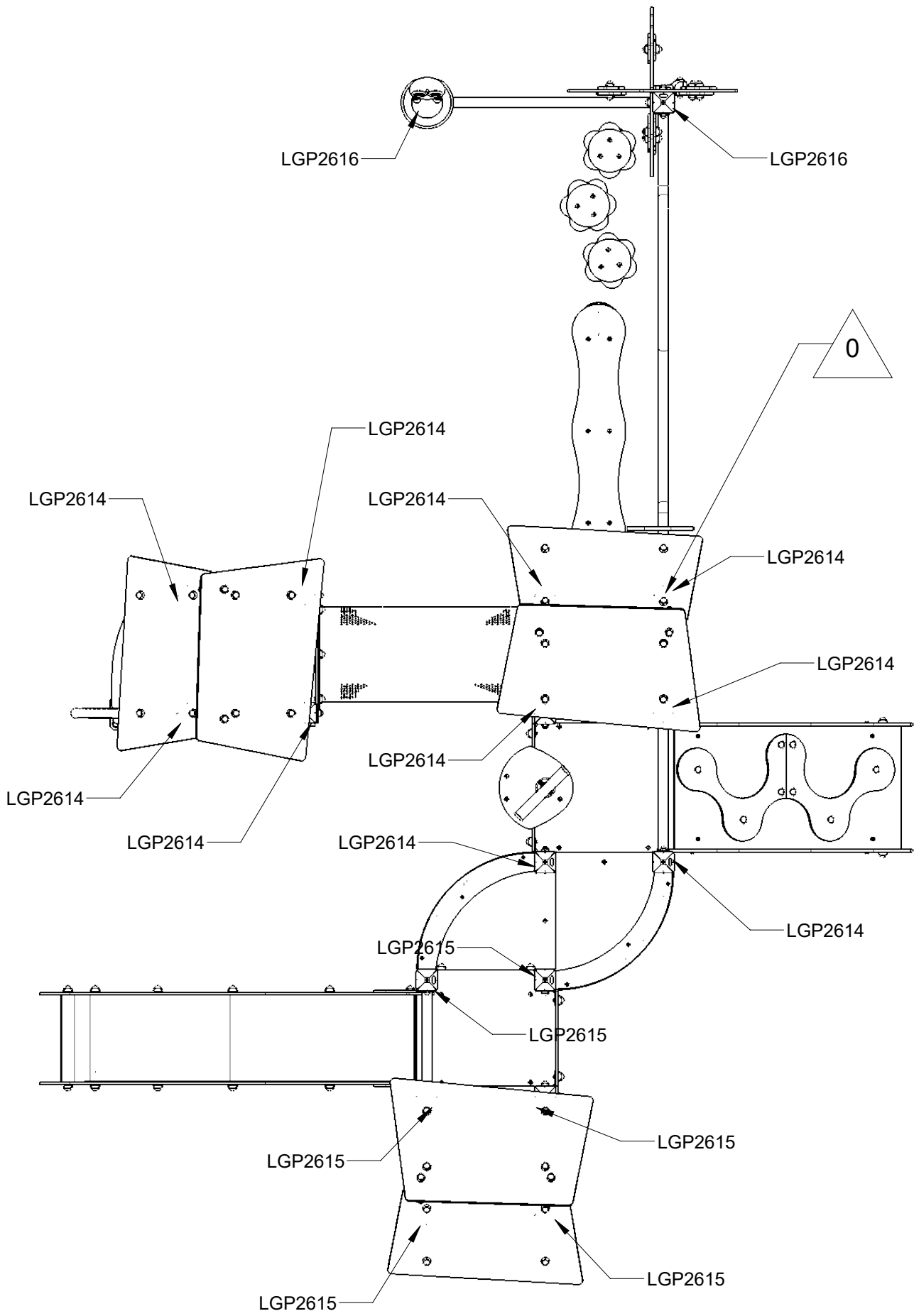
34.5 m
 51.5 m²

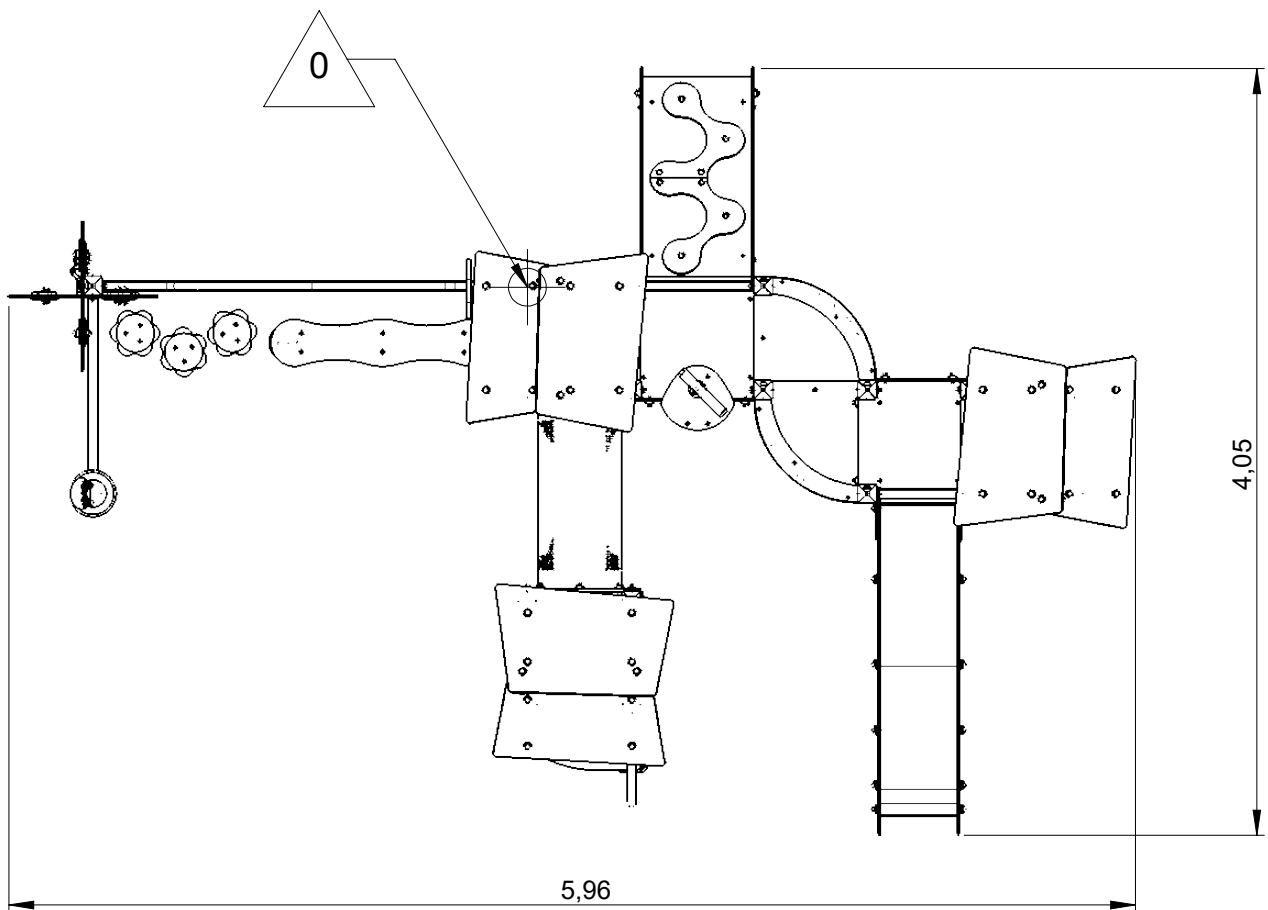
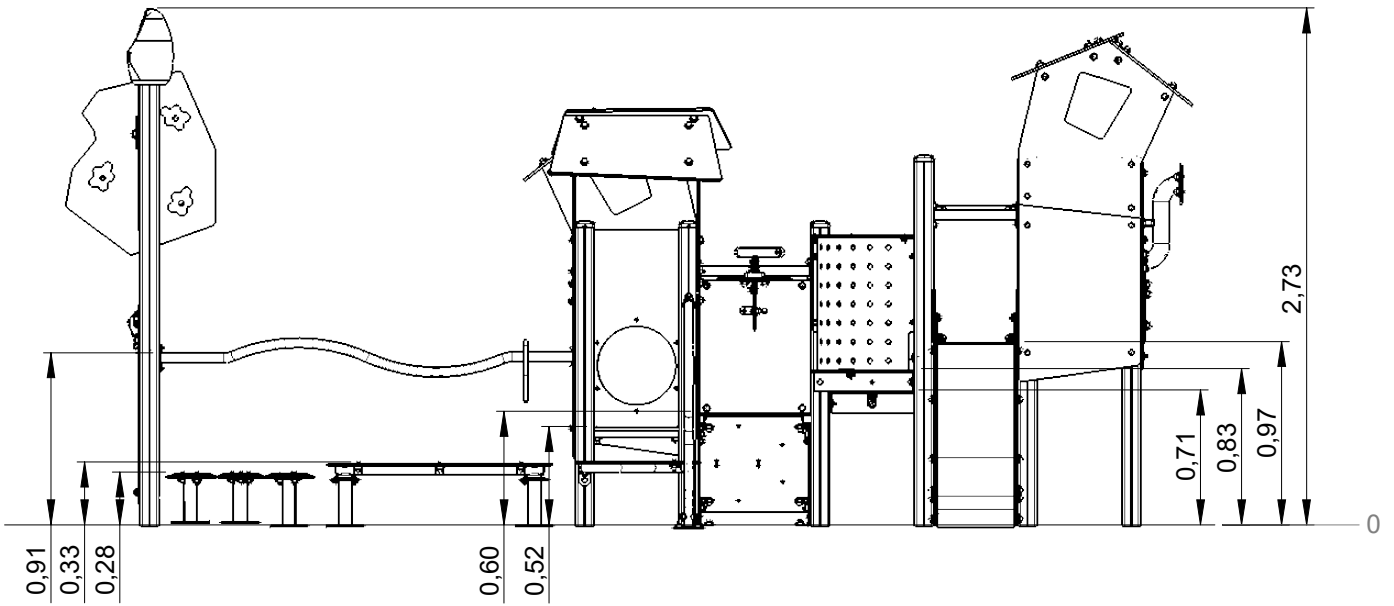


— Sol fluent
 Loos partucule material
 Arenero
 Loses Bodenmaterial
 Los bodemmateriaal

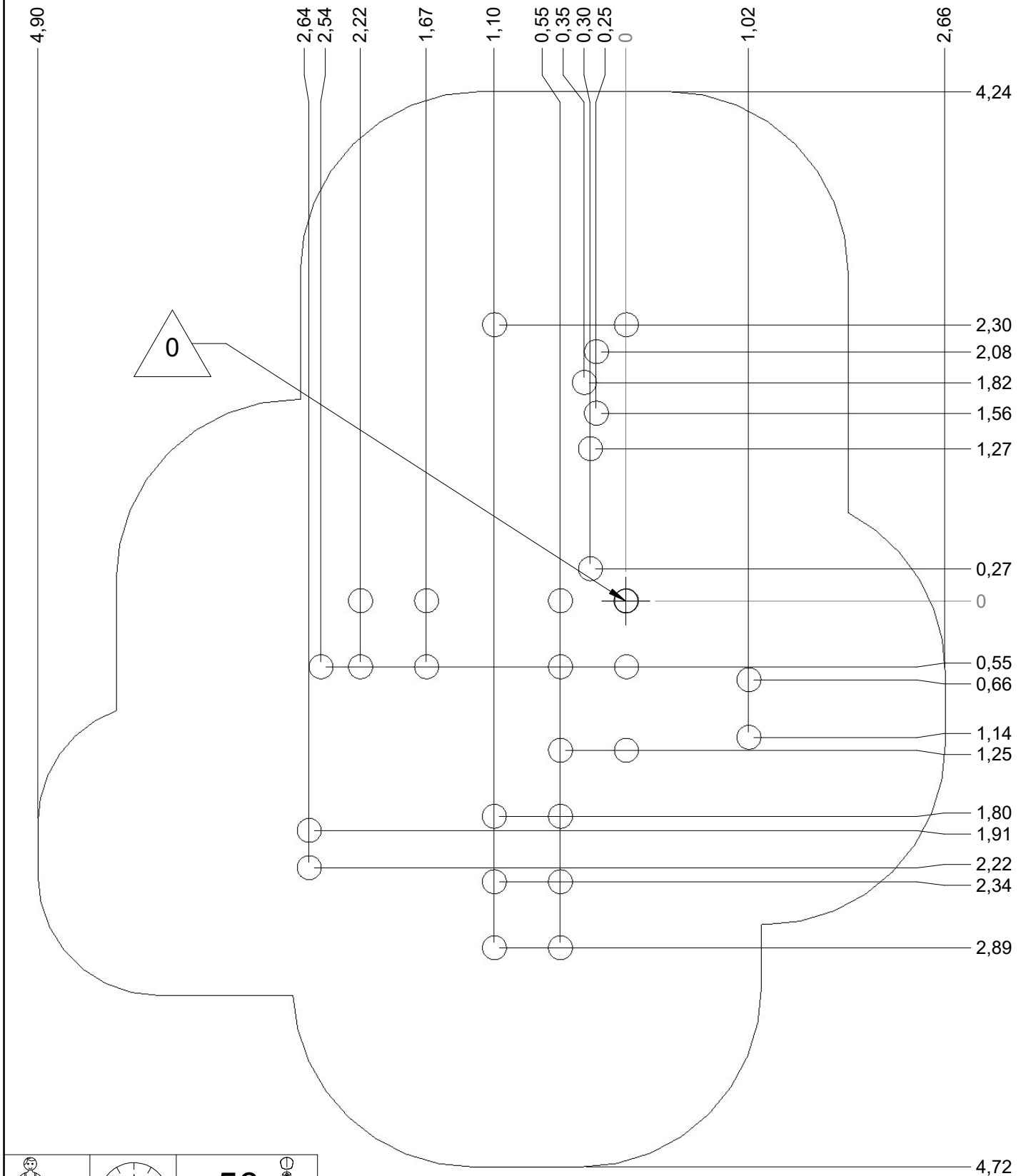
34 m
59.5 m²



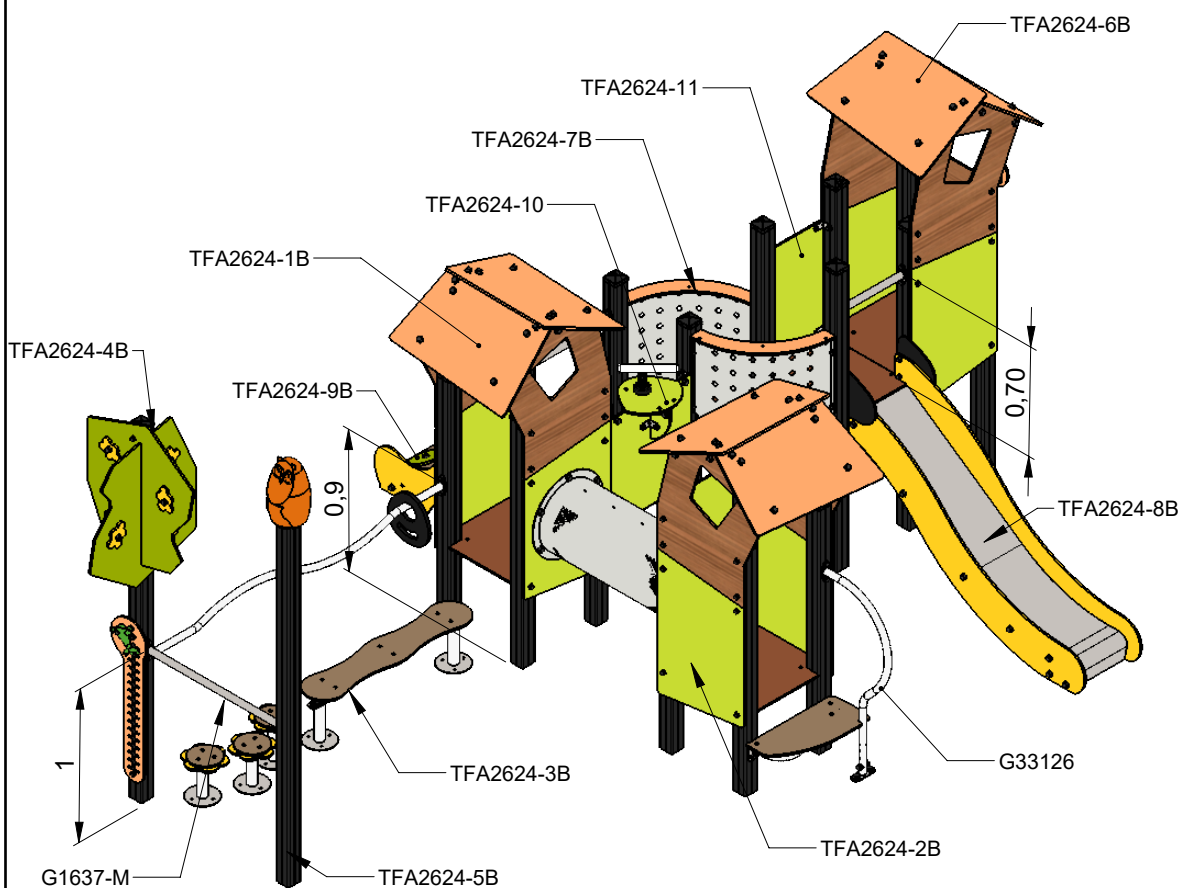
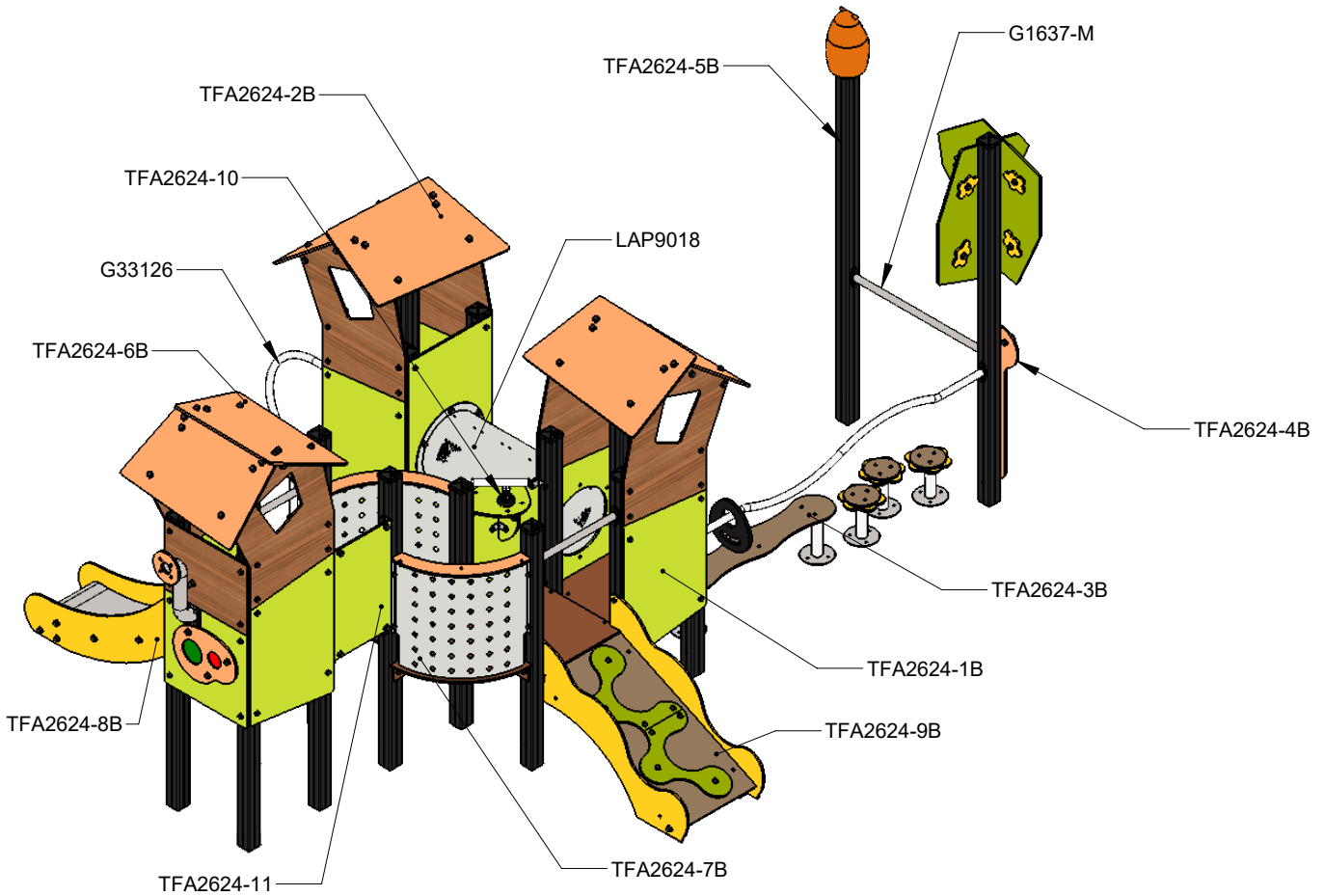




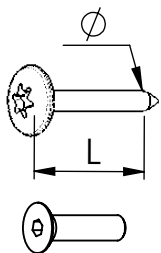
Implantation
 Footing plan
 Implantación
 Fundamentplan
 Funderingstekening



 <p>x2</p>	 <p>23H</p>	<p>x56 RD14M10</p> 
--	--	--



Réf	Qté
G1637-M	1
G33126B	1
LAP9018G	1
TFA2624-1B	1
TFA2624-2B	1
TFA2624-3B	1
TFA2624-4B	1
TFA2624-5B	1
TFA2624-6B	1
TFA2624-7B	1
TFA2624-8B	1
TFA2624-9B	1
TFA2624-10	1
TFA2624-11	1



VBT 6 x 30
 \varnothing \uparrow L (mm)

VFHC



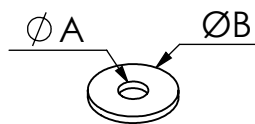
VEC M10
 \varnothing



VEF



VEB



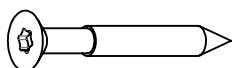
VR6x18
 $\varnothing A$ $\varnothing B$

VTHA

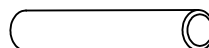
14 N.m

1000 - 1800 tr/min
 Vitesse de rotation
 Rotation speed

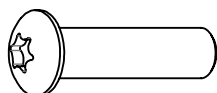
14 N.m
 Couple de rupture
 Torque of break



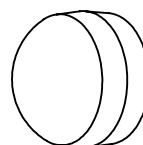
VWT



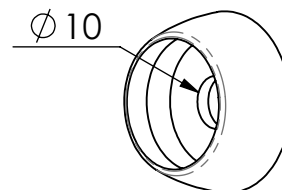
VGC



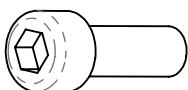
VCBHC



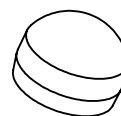
M10 440N



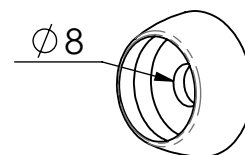
M10 310 N



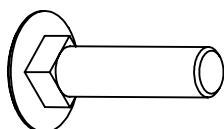
VBTR



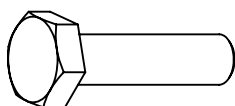
M8 440N



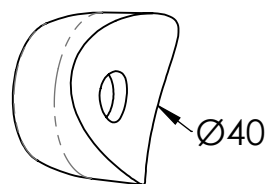
M8 310N



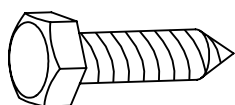
VTRCC



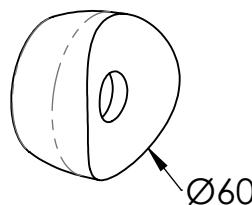
VTH



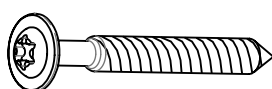
MI2503



VTF

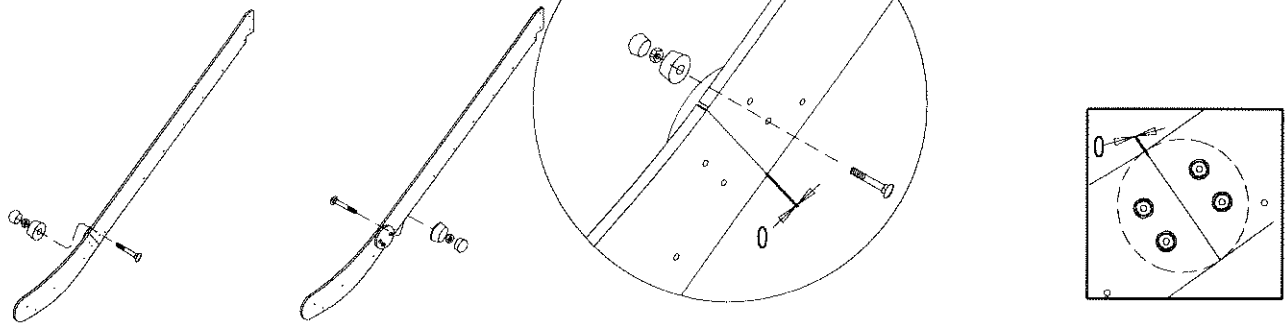


MI2701

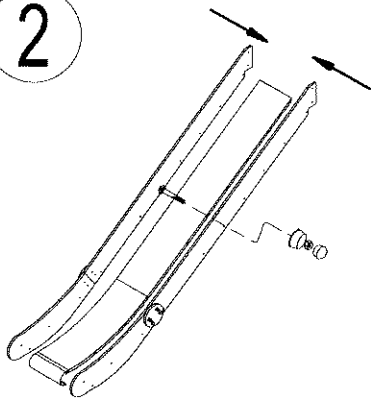


VBT

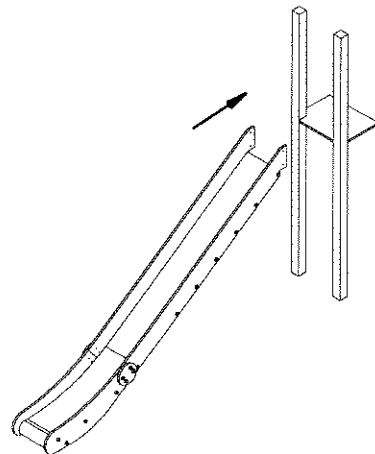
1



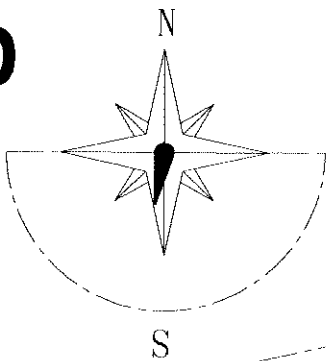
2



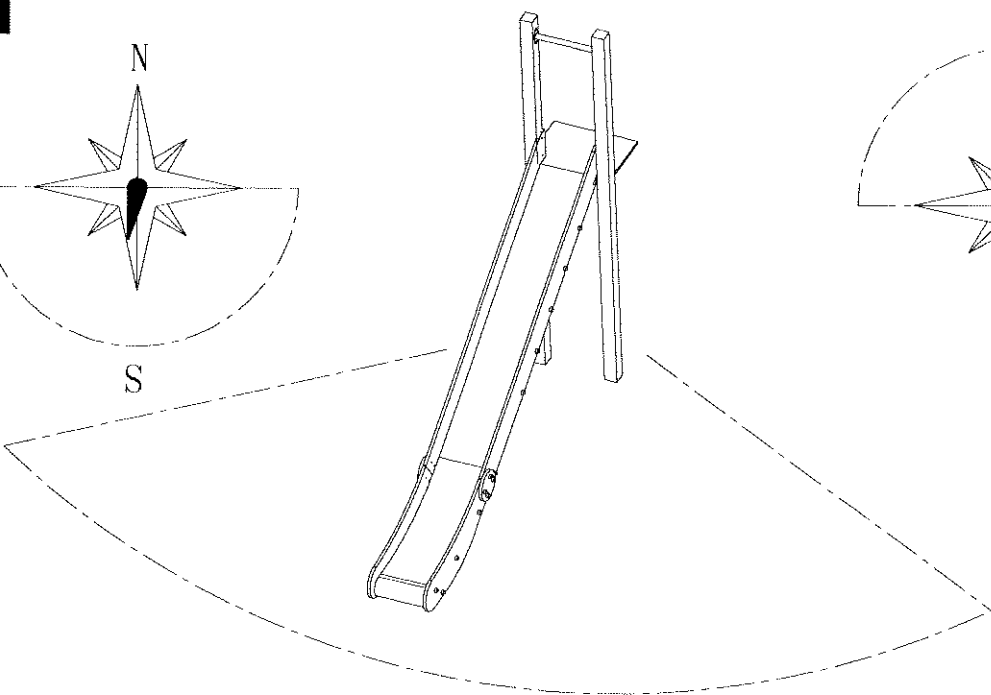
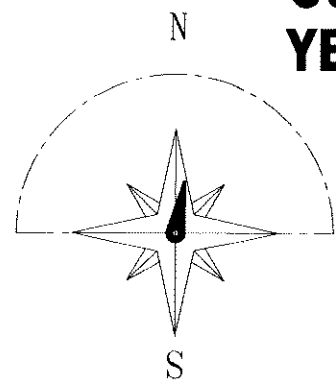
3



NON
NO



OUI
YES

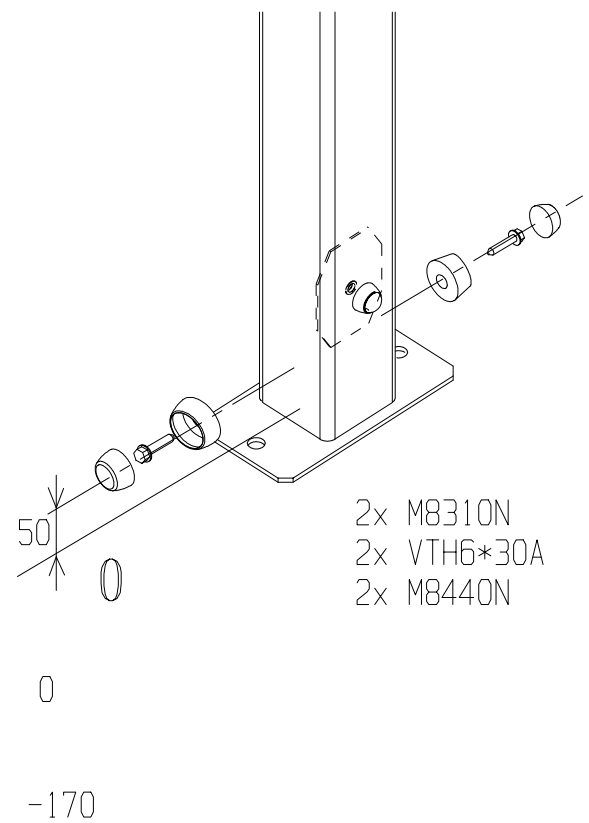
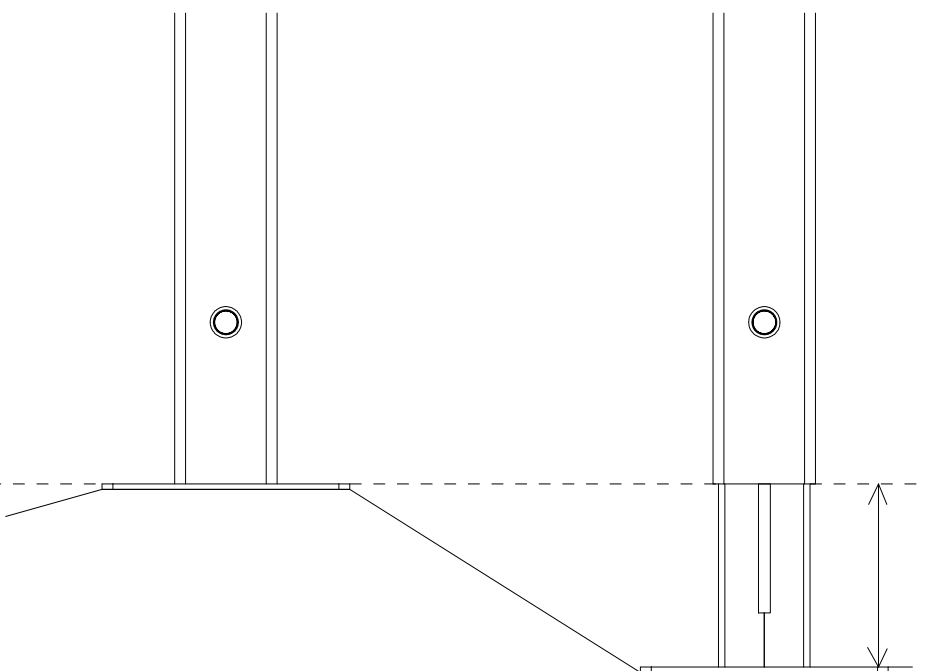
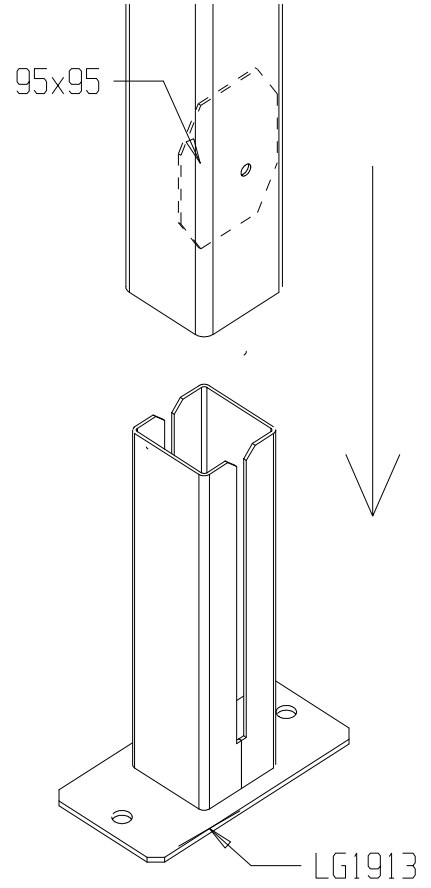
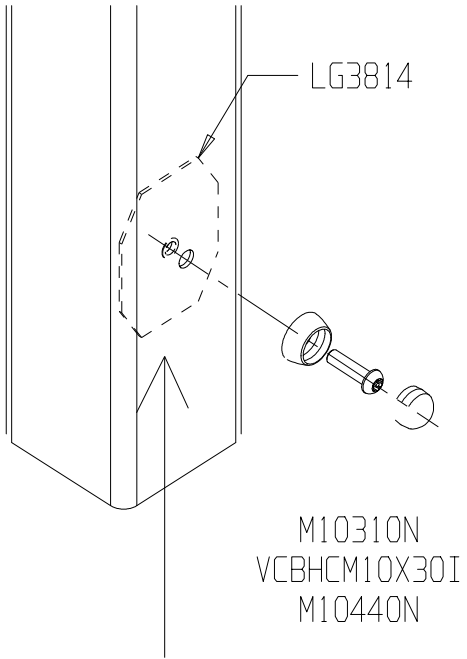


FR

Il est recommandé de ne pas orienter la glissière Sud / Sud Ouest

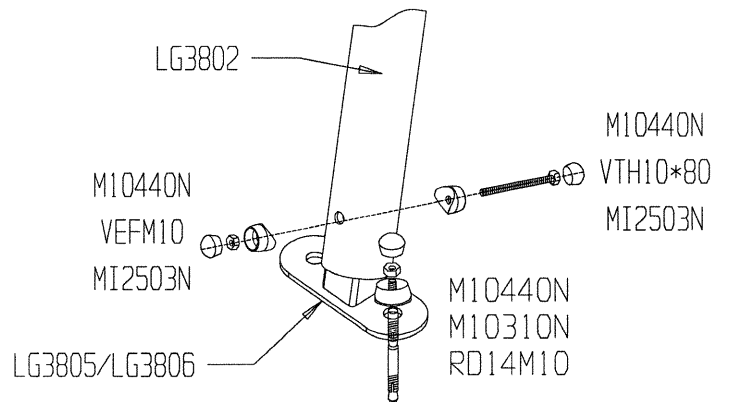
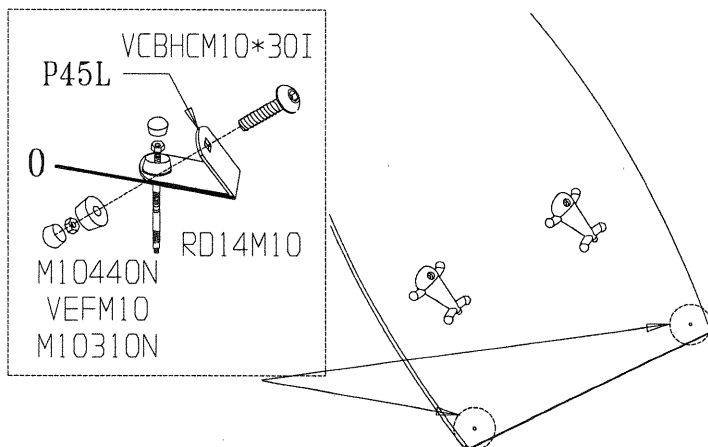
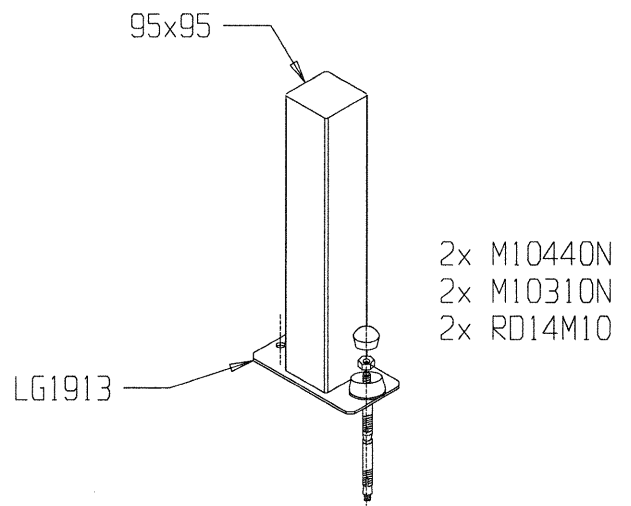
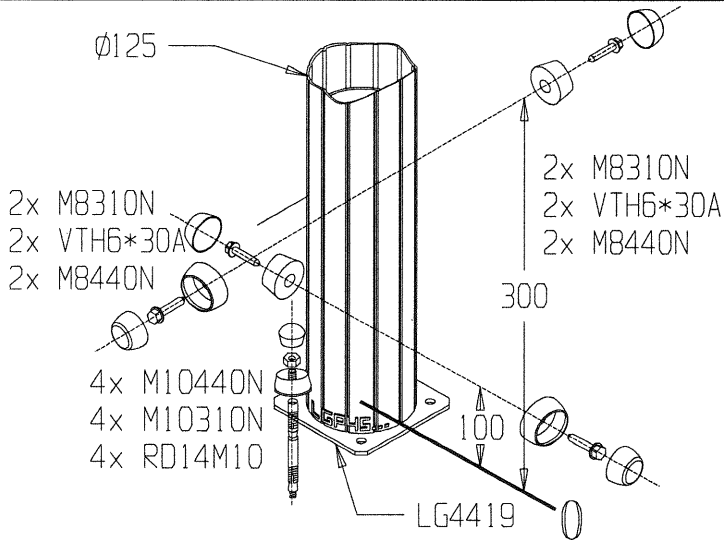
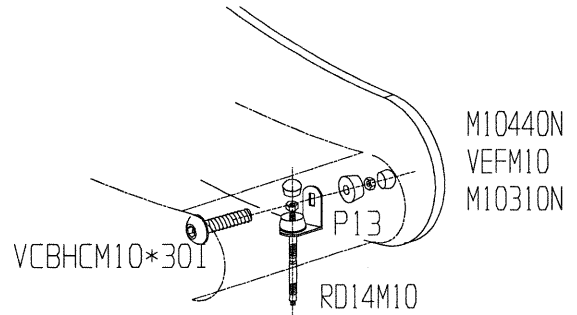
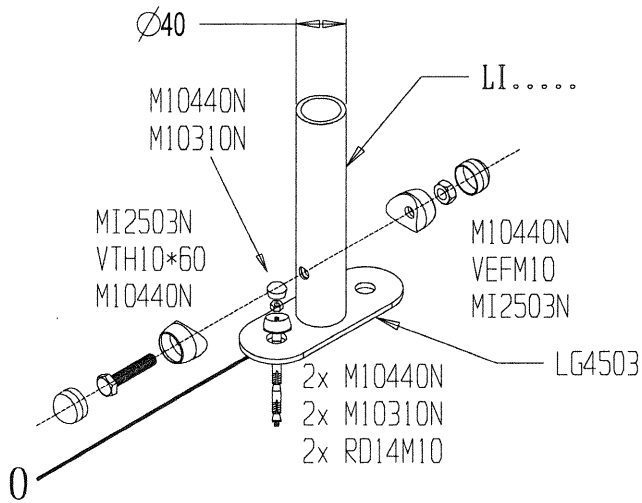
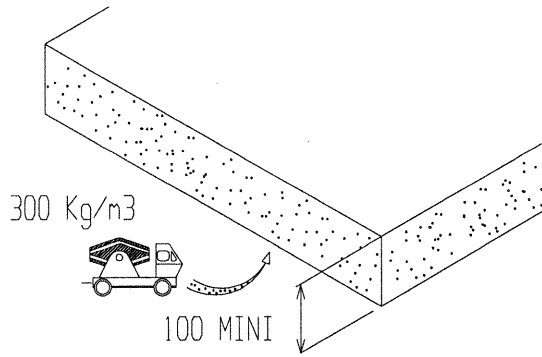
B

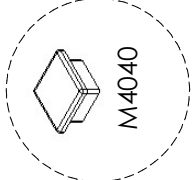
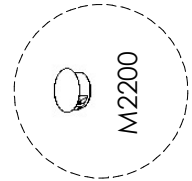
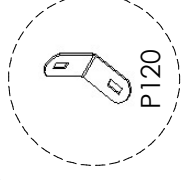
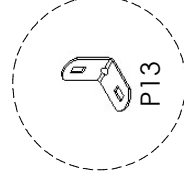
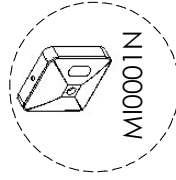
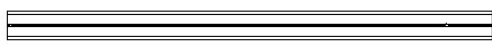
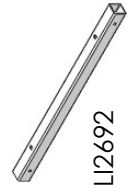
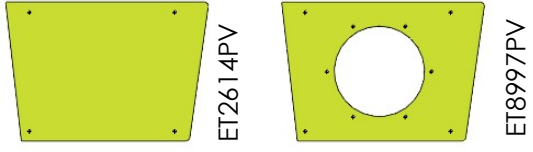
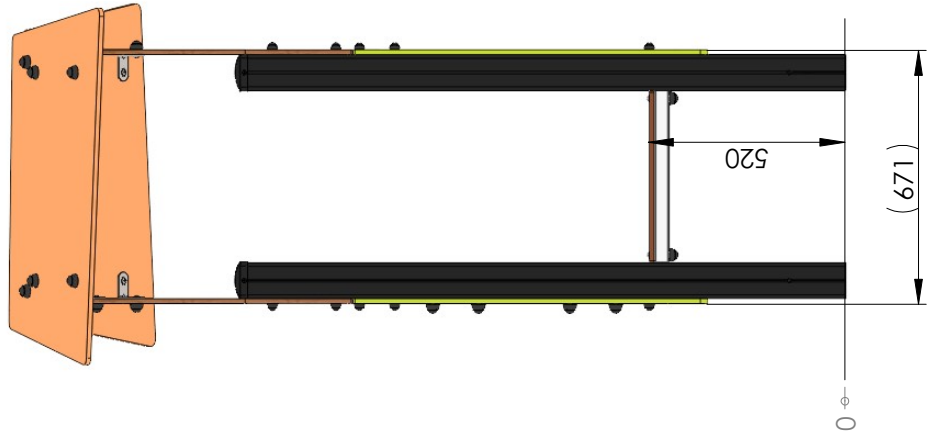
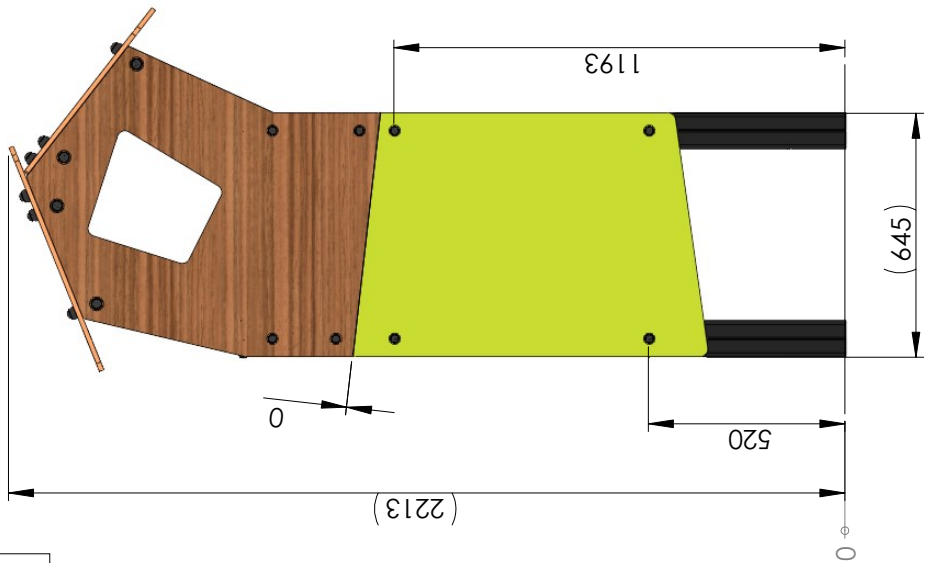
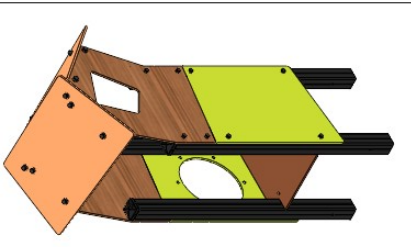
Proludic



B

Proludic





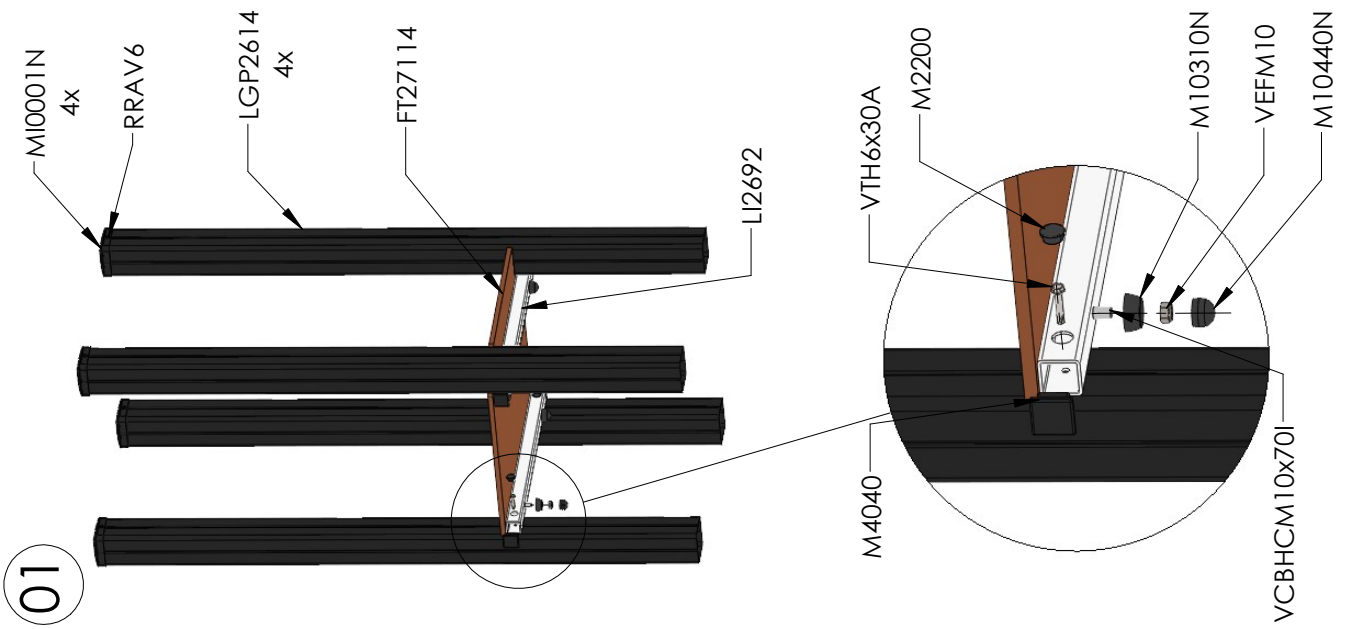
Réf	Qté
ET2614PV	1
ET8989OF	1
ET8990OF	1
ET8992CH	2
ET8997PV	1
FT27114	1
LGP2614	4
LI2692	2
M2200	4
M4040	4
M8310N	16
M8440N	16
M10310N	30
M10440N	30
MI0001N	4
P13	8
P120	2
RRAV6	8
VCBHC M10x30I	26
VCBHC M10x70I	4
VEFM10	30
VTH6x30A	20

TFA2624-1B

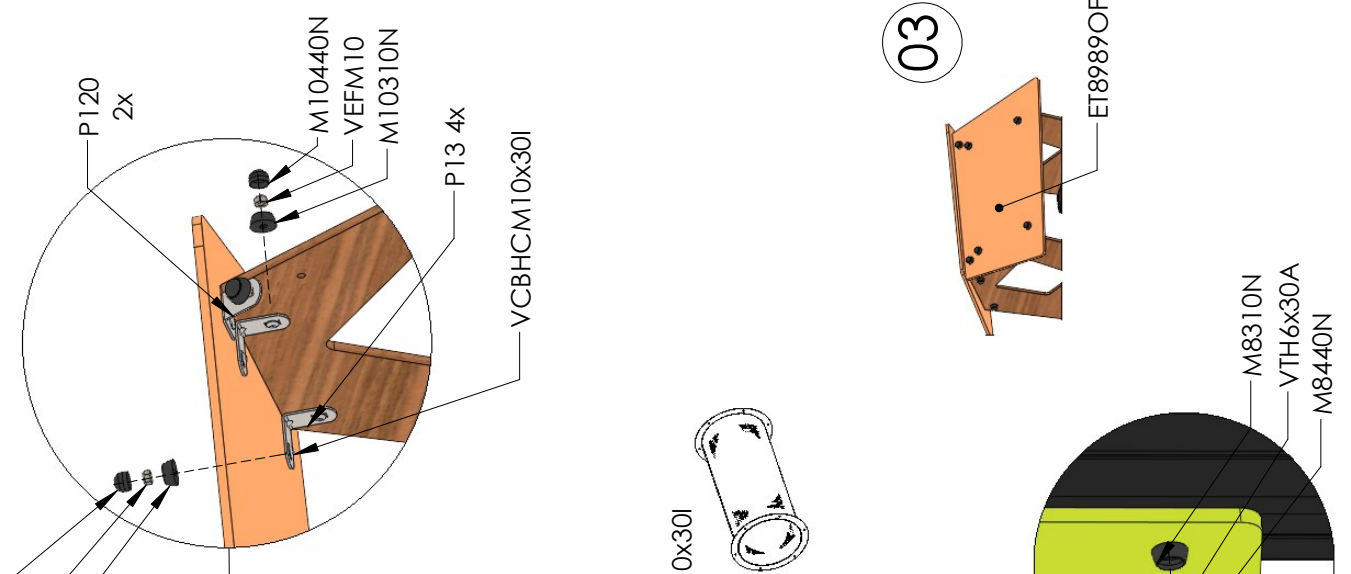
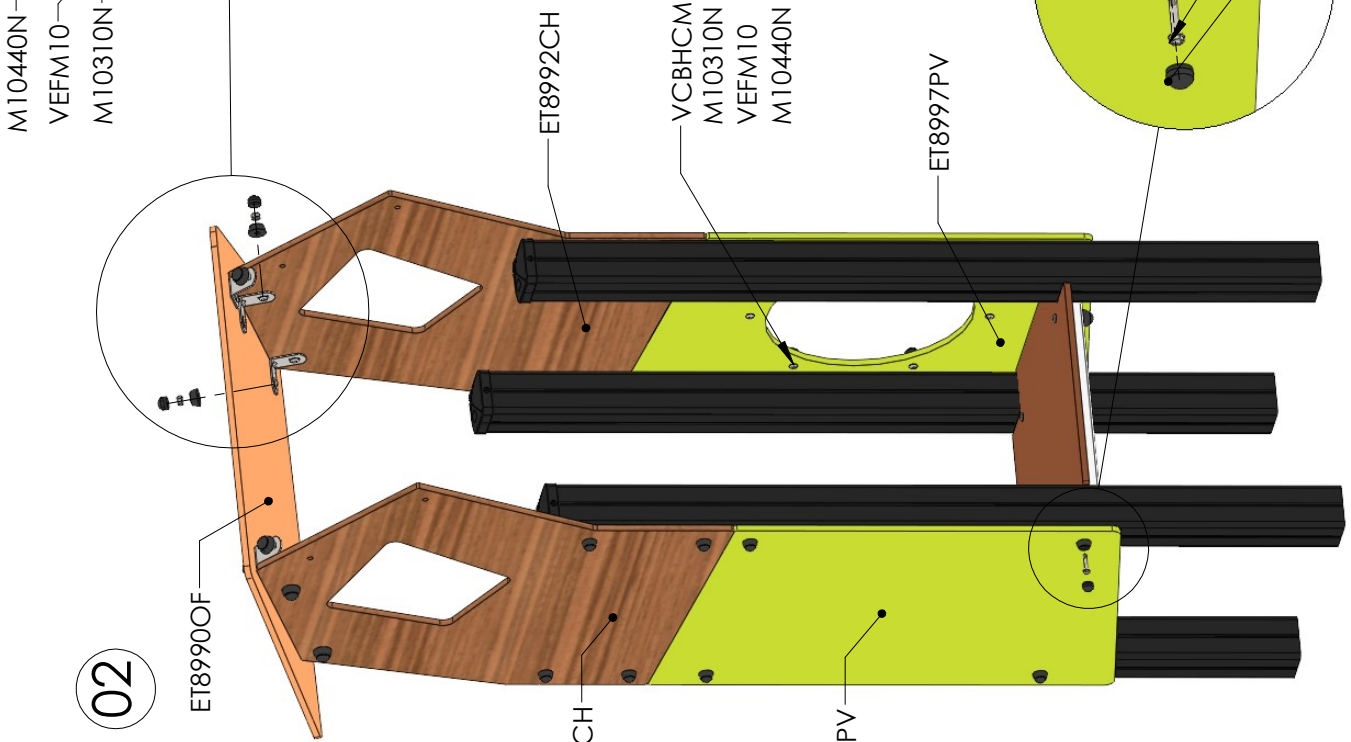
2 / 2

17/11/2020 *ProLudic*

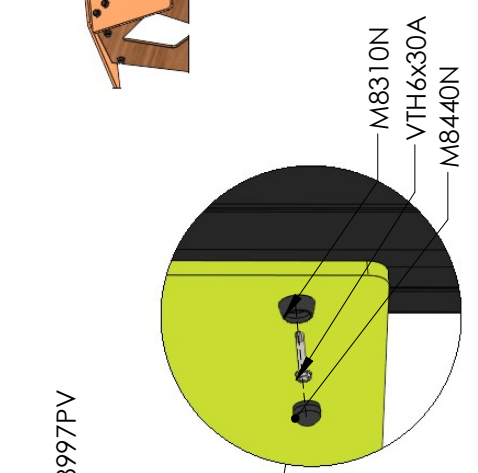
01

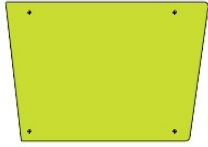
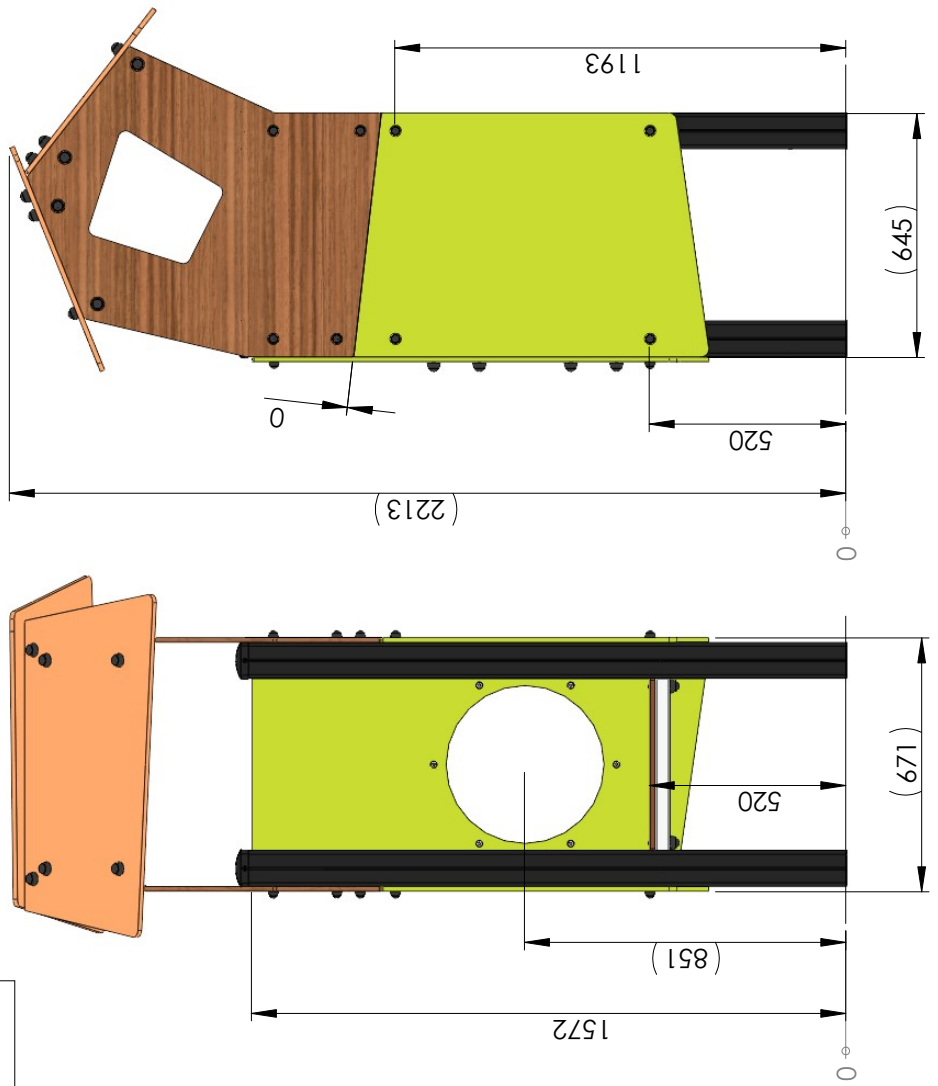
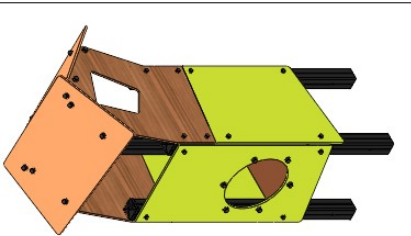


02

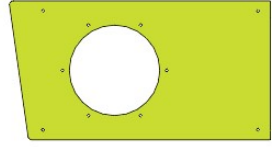


03

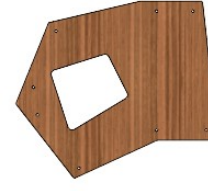




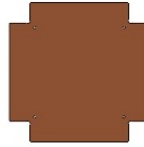
ET2614PV



ET8993PV



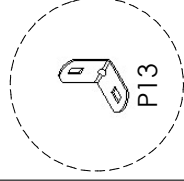
ET8992CH



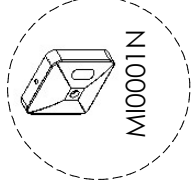
FT27114



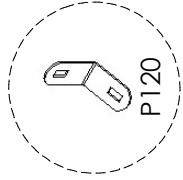
LI2692



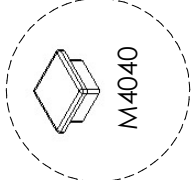
P13



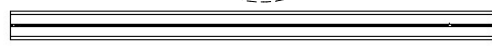
M10001N



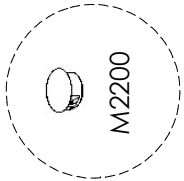
P120



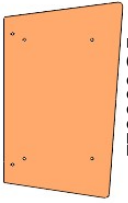
M4040



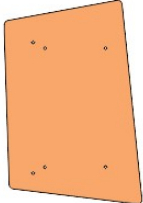
LGP2614



M2200



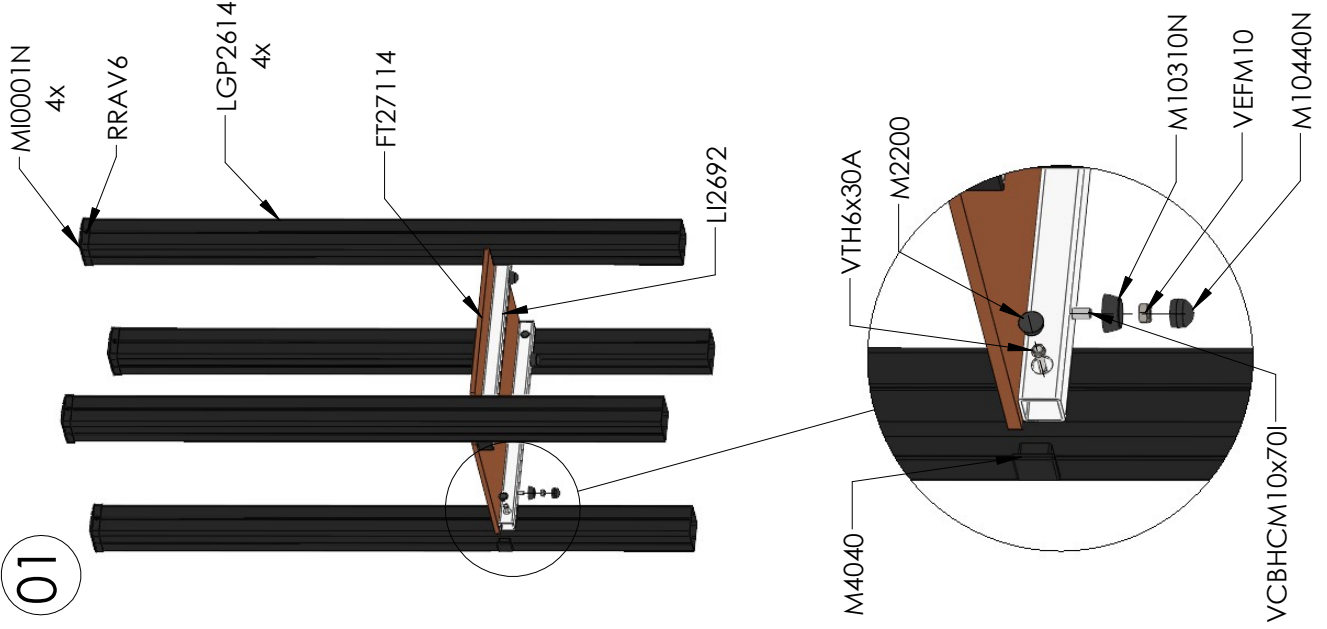
ET8989OF



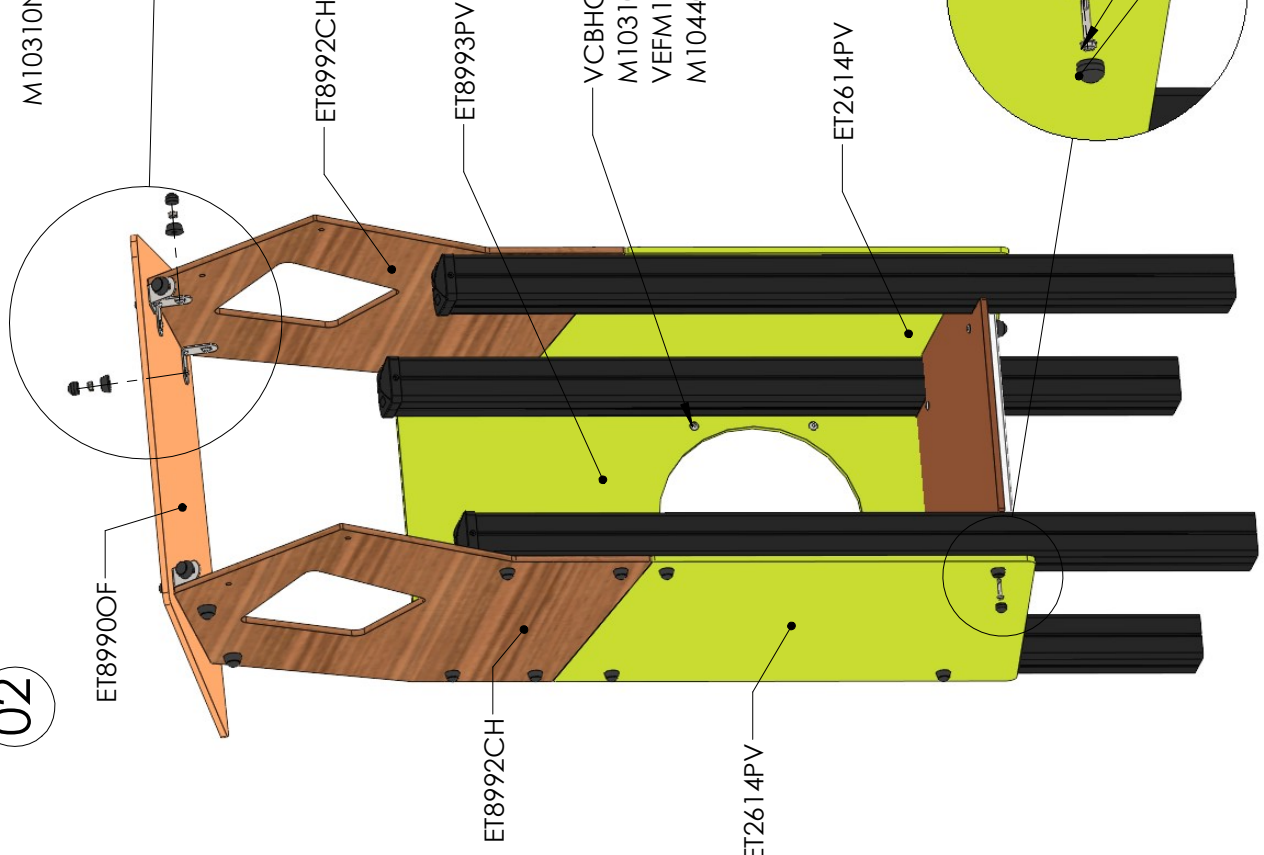
ET8990OF

Réf	Qté
ET2614PV	2
ET8989OF	1
ET8990OF	1
ET8992CH	2
ET8993PV	1
FT27114	1
LGP2614	4
LI2692	2
M2200	4
M4040	4
M8310N	20
M8440N	20
M10310N	30
M10440N	30
M10001N	4
P13	8
P120	2
RRAV6	8
VCBHC M10x30I	26
VCBHC M10x70I	4
VEFM10	30
VTH6x30A	24

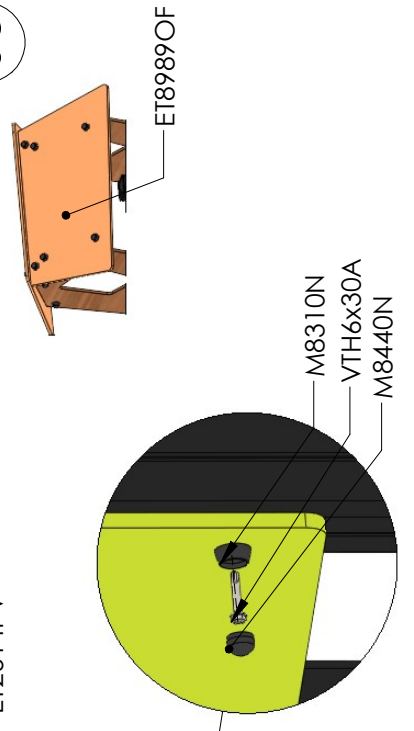
01

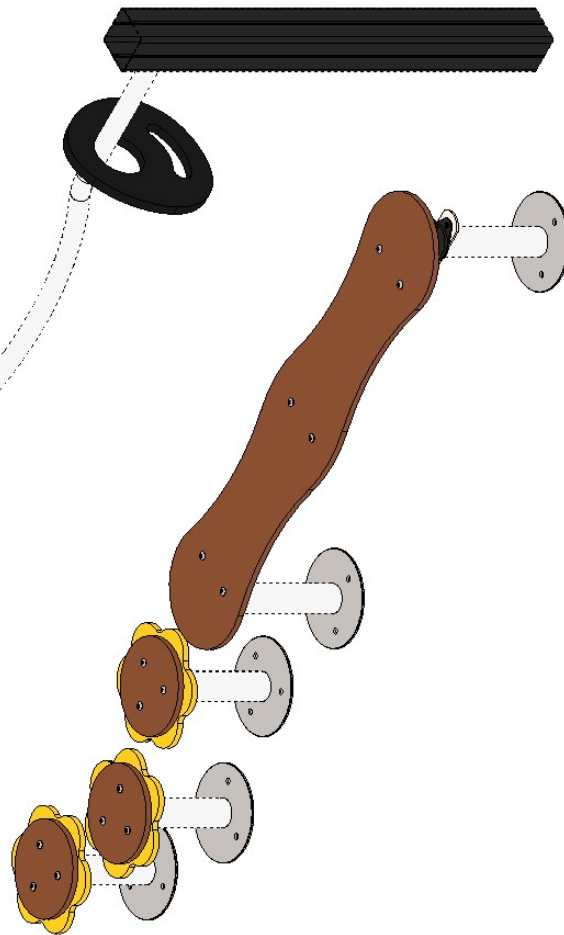
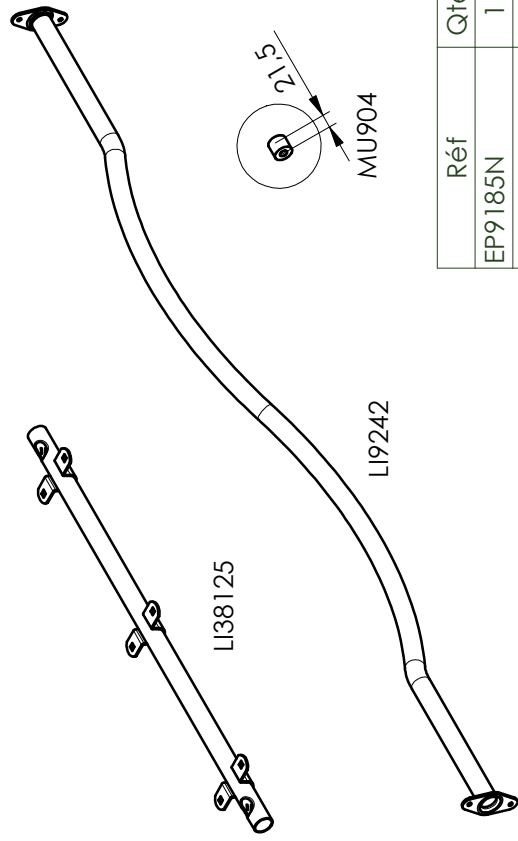


02

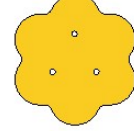


03

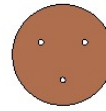




Réf	Qté
EP9185N	1
ET9361J	3
FT38101	3
FT38124	1
LI22	3
LI25	2
LI9242	1
LI38125	1
M42	2
M8310N	8
M8440N	8
M10310N	15
M10440N	15
MU904	2
R1523	2
VCBHC M10x30I	6
VCBHC M10x40I	9
VEFM8	4
VEFM10	17
VR8x18	8
VTH6x30A	4
VTH8x25	4
VTRCC10x100	2



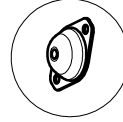
ET9361J



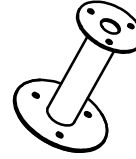
FT38101



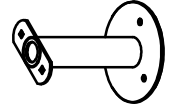
EP9185



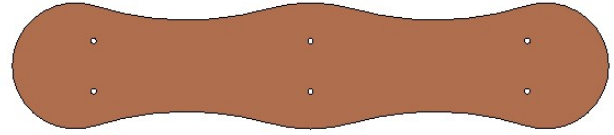
R1523



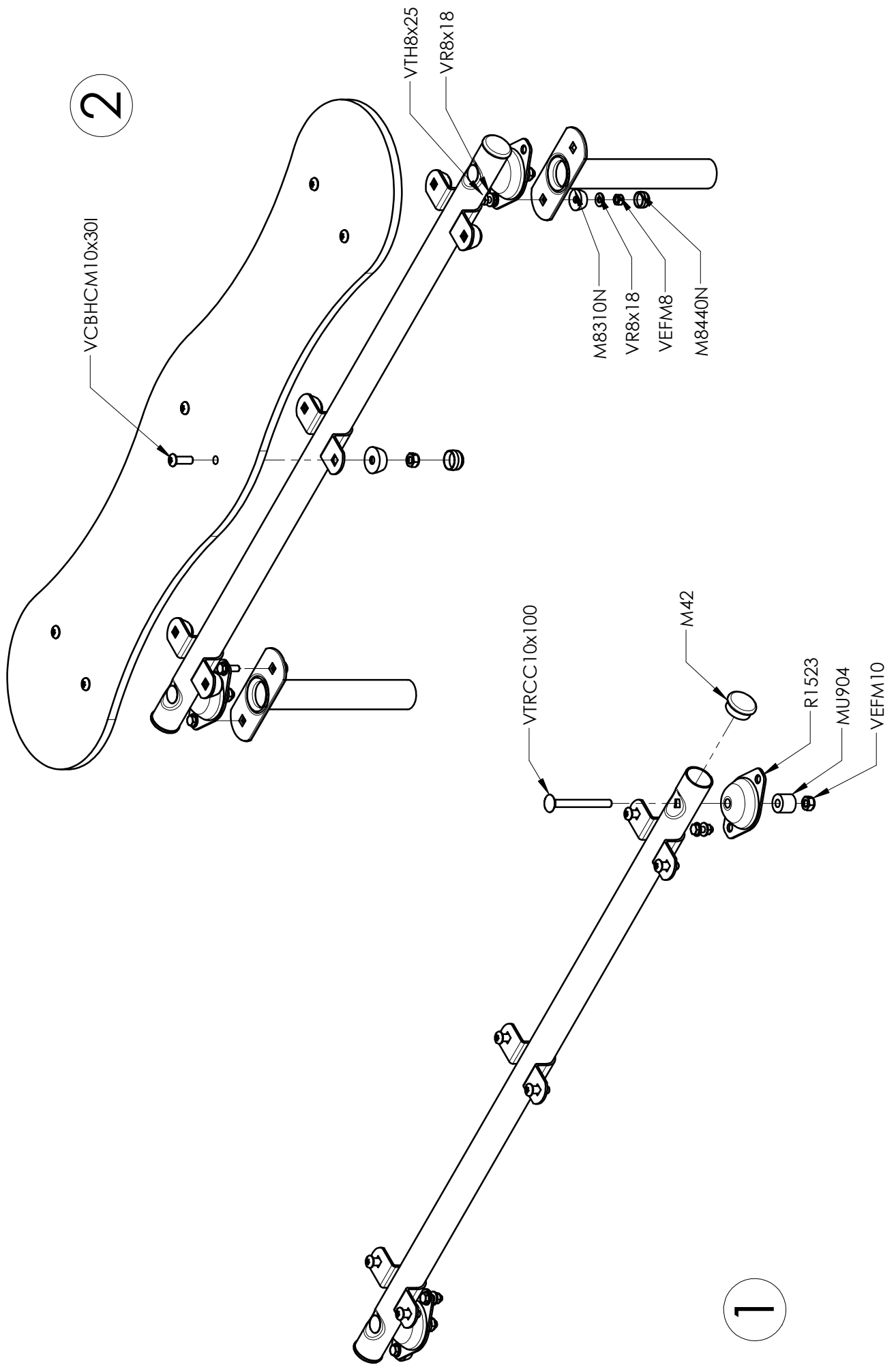
LI22

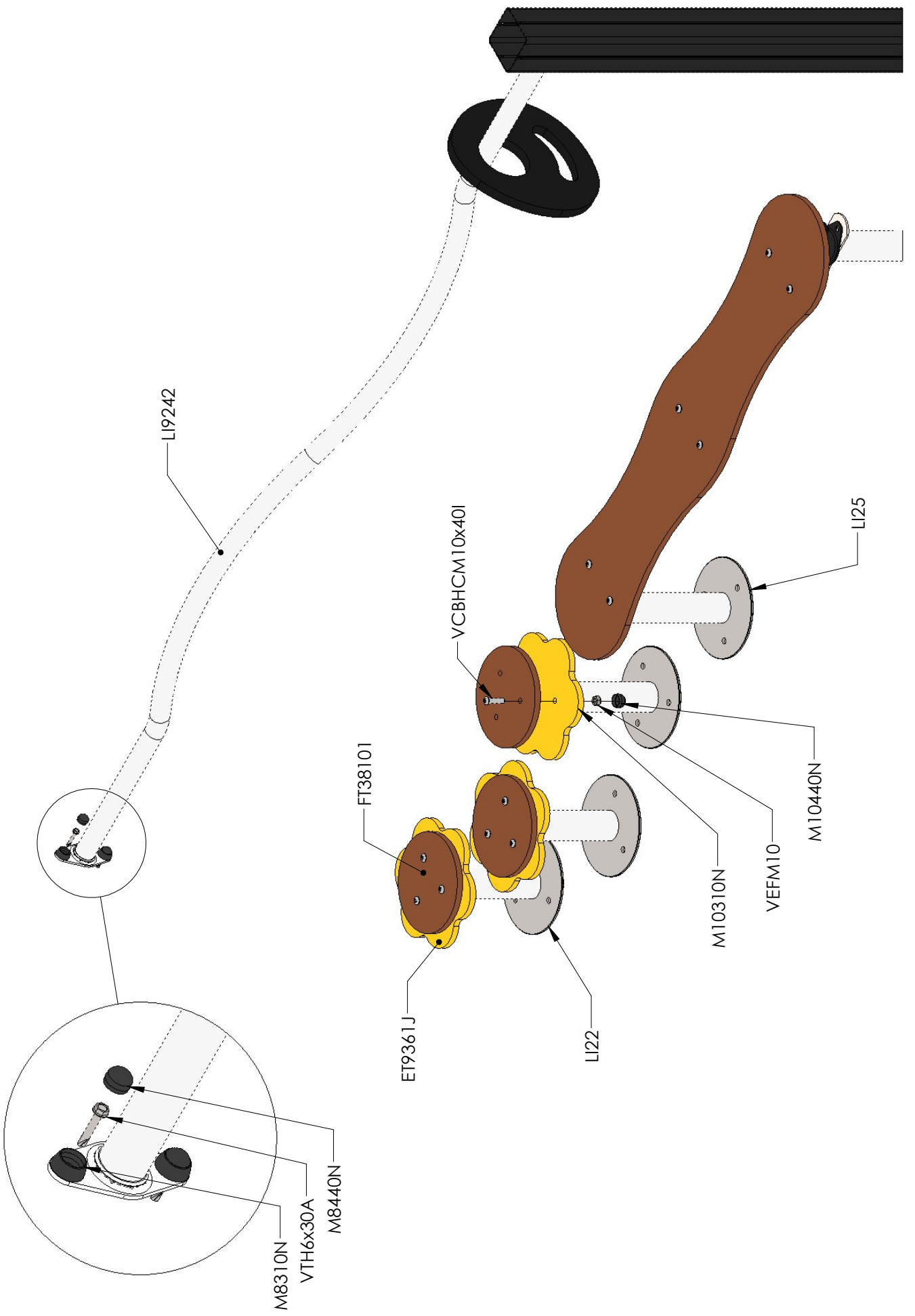


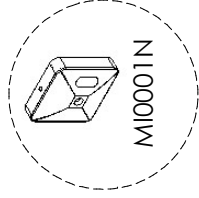
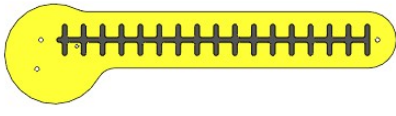
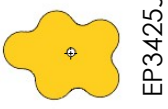
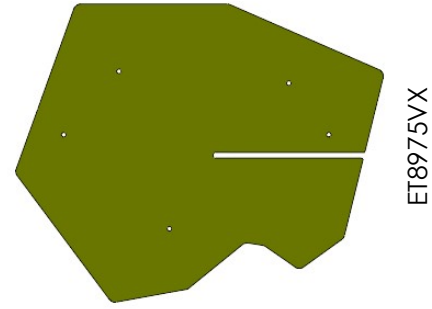
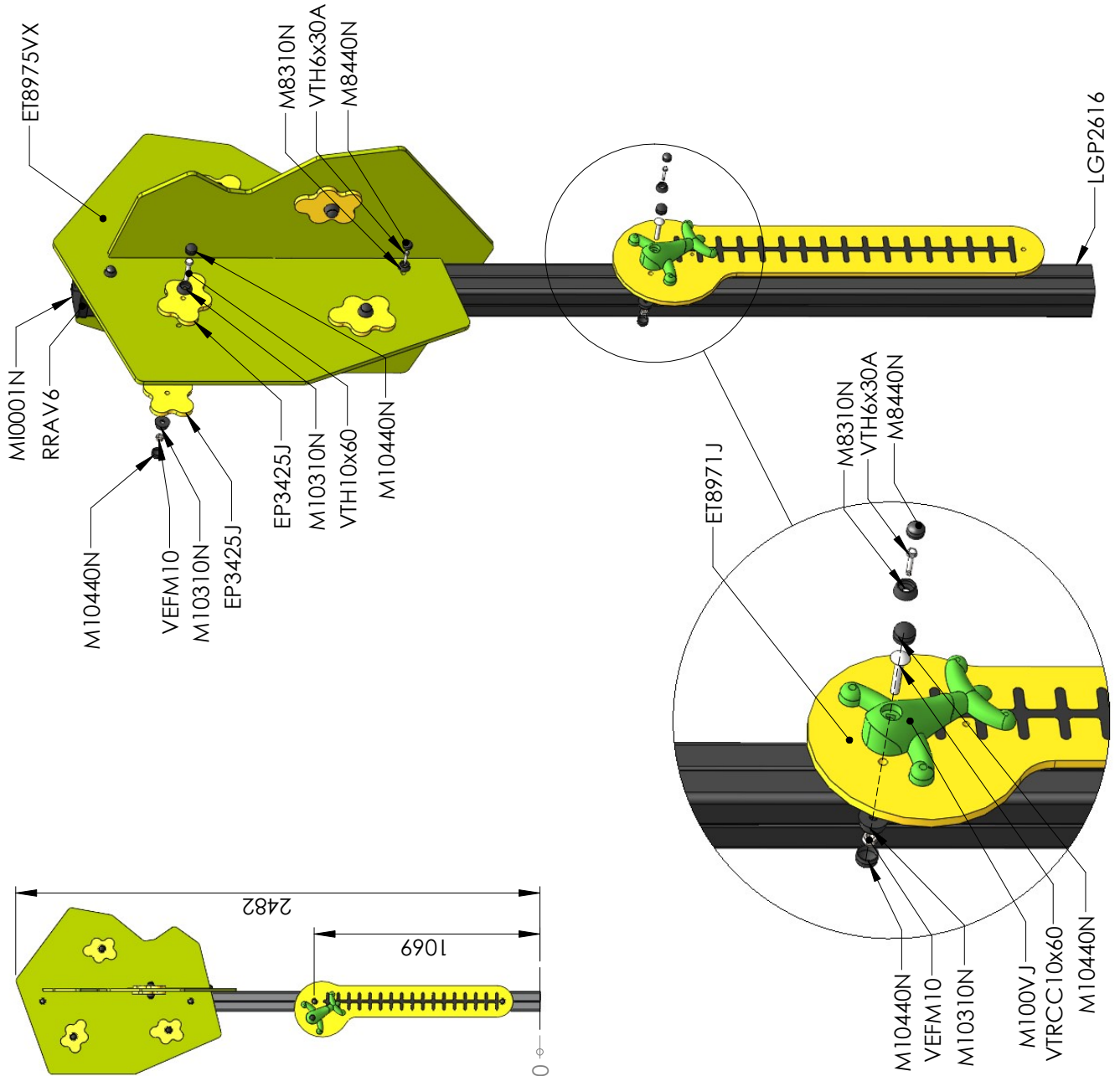
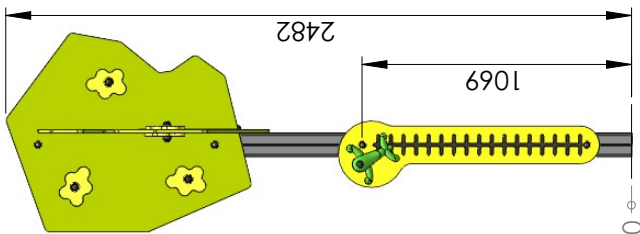
LI25



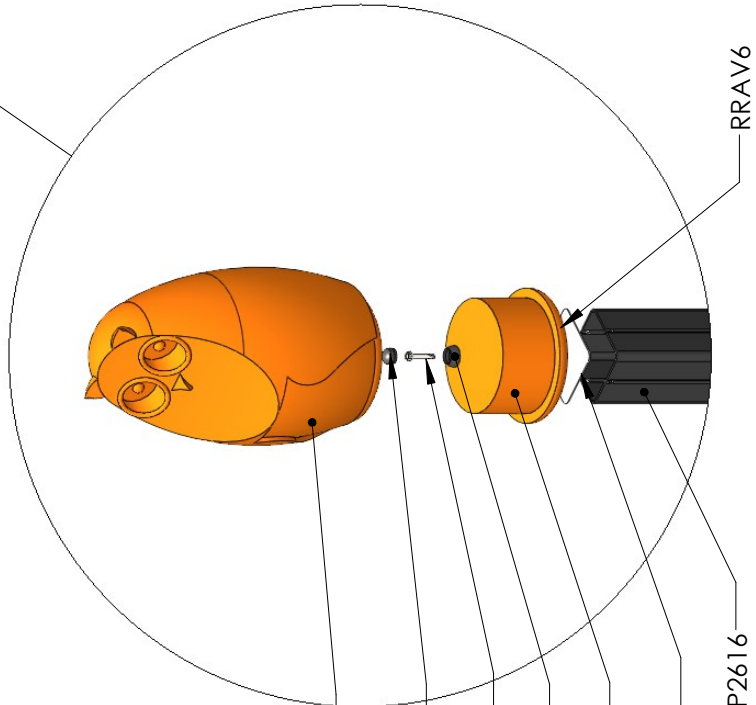
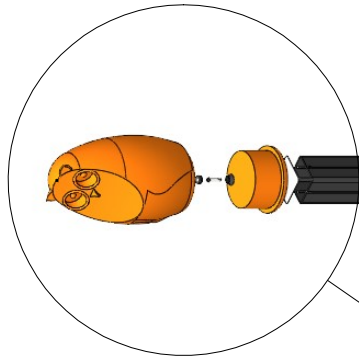
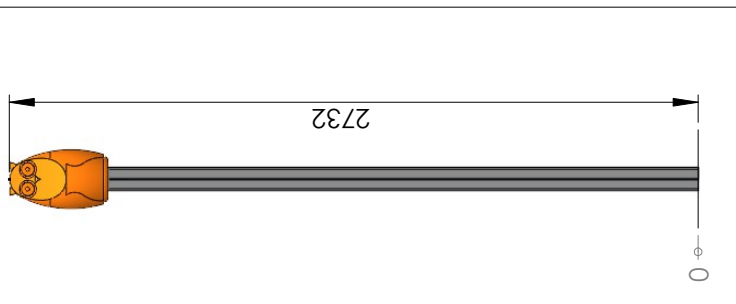
FT38124



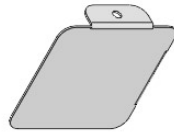




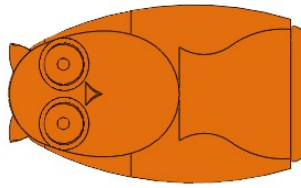
Réf	Qté
EP3425J	12
ET8971J	1
ET8975VX	2
LGP2616	1
M10001N	1
M8310N	6
M8440N	6
M10310N	13
M10440N	14
M10001N	1
RRAV6	2
VEFM10	7
VTH6x30A	6
VTH10x60	6
VTRCC10x60	1



LGP2616

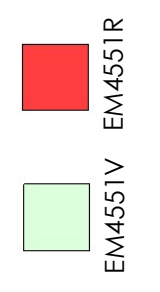
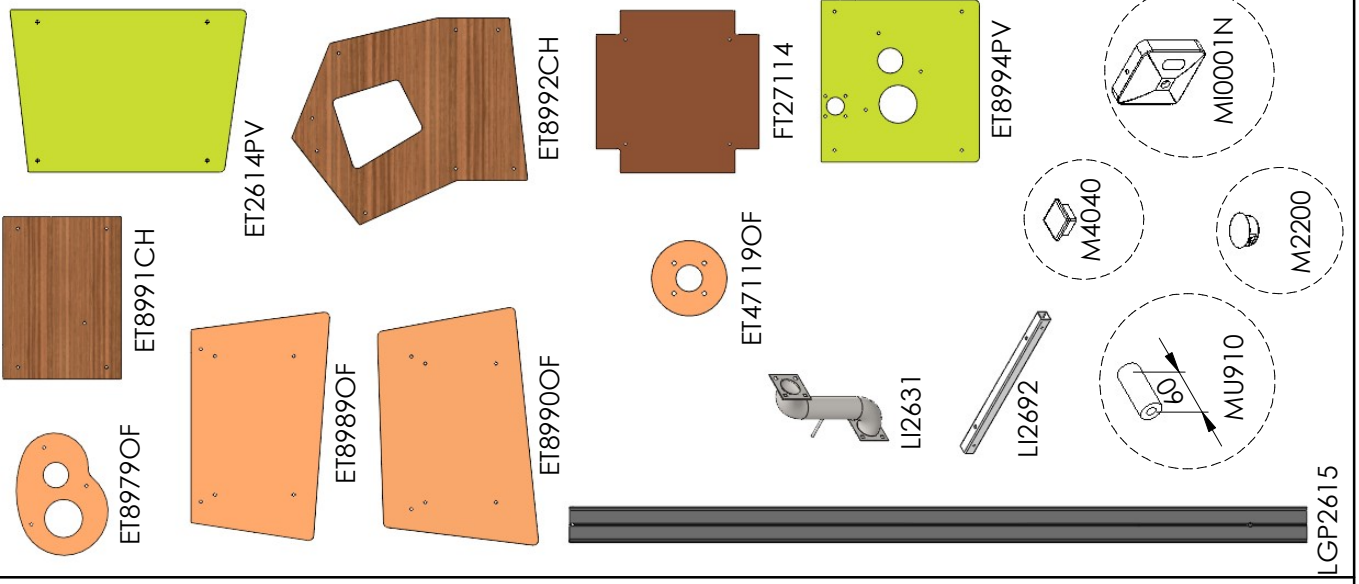
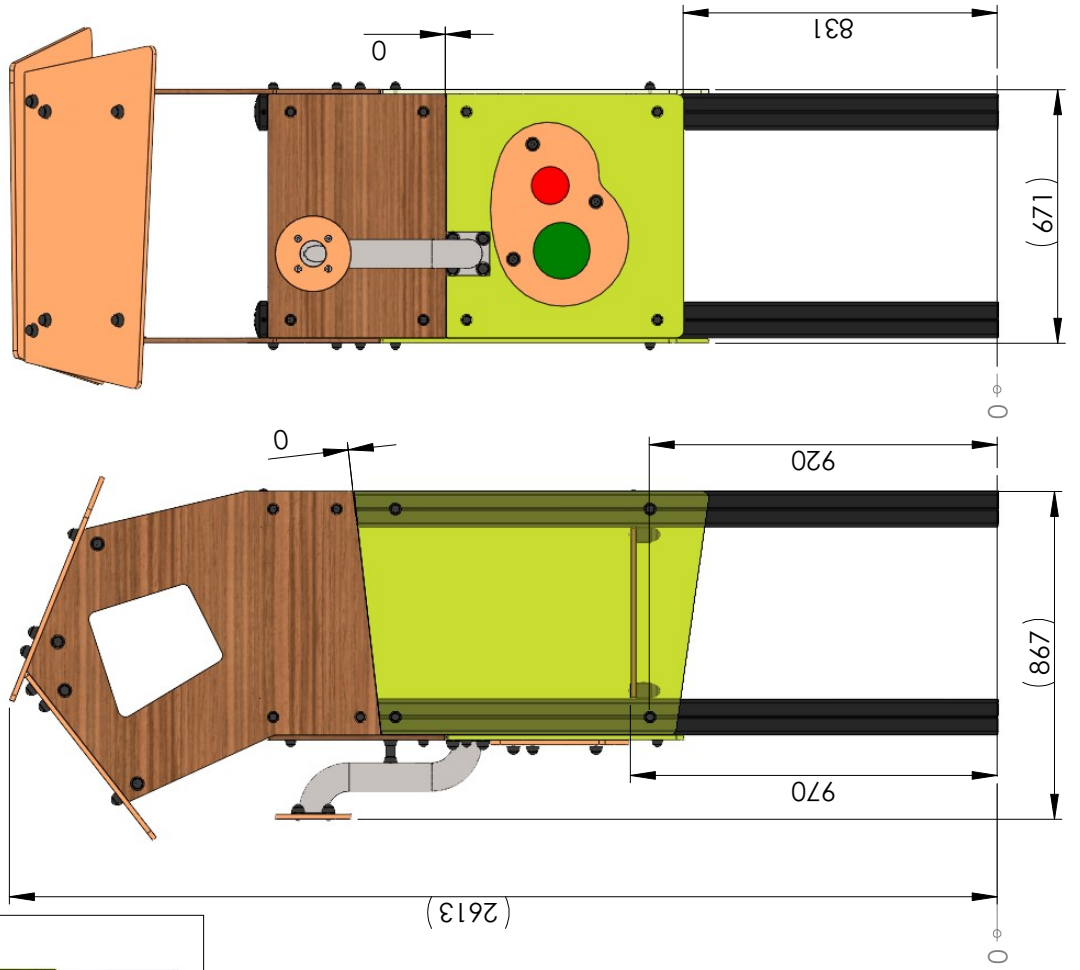
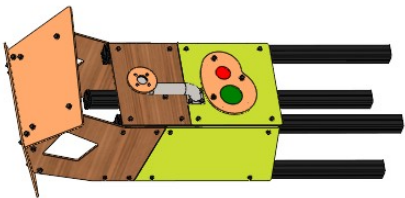


LI4769



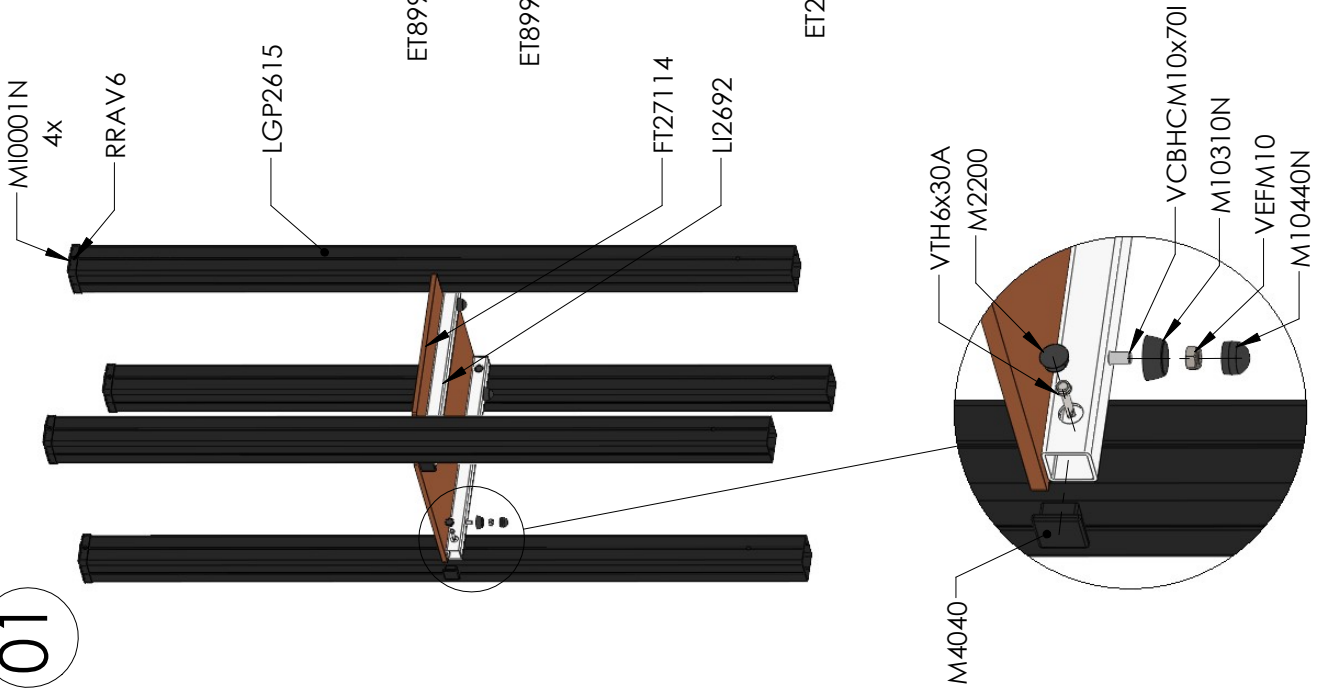
M3381

Réf	Qté
LGP2616	1
LI4769	1
M3381	1
M8310N	1
M8440N	1
RRAV6	2
VTH6x30A	1

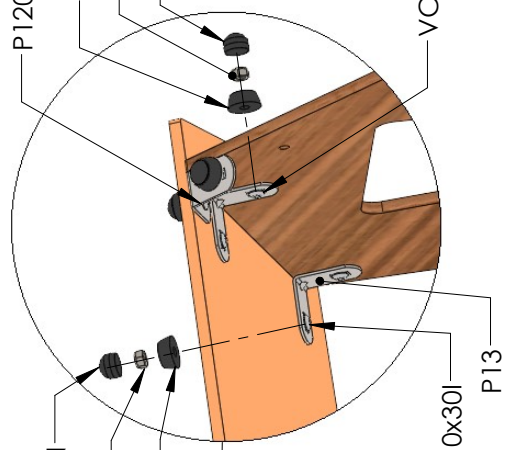
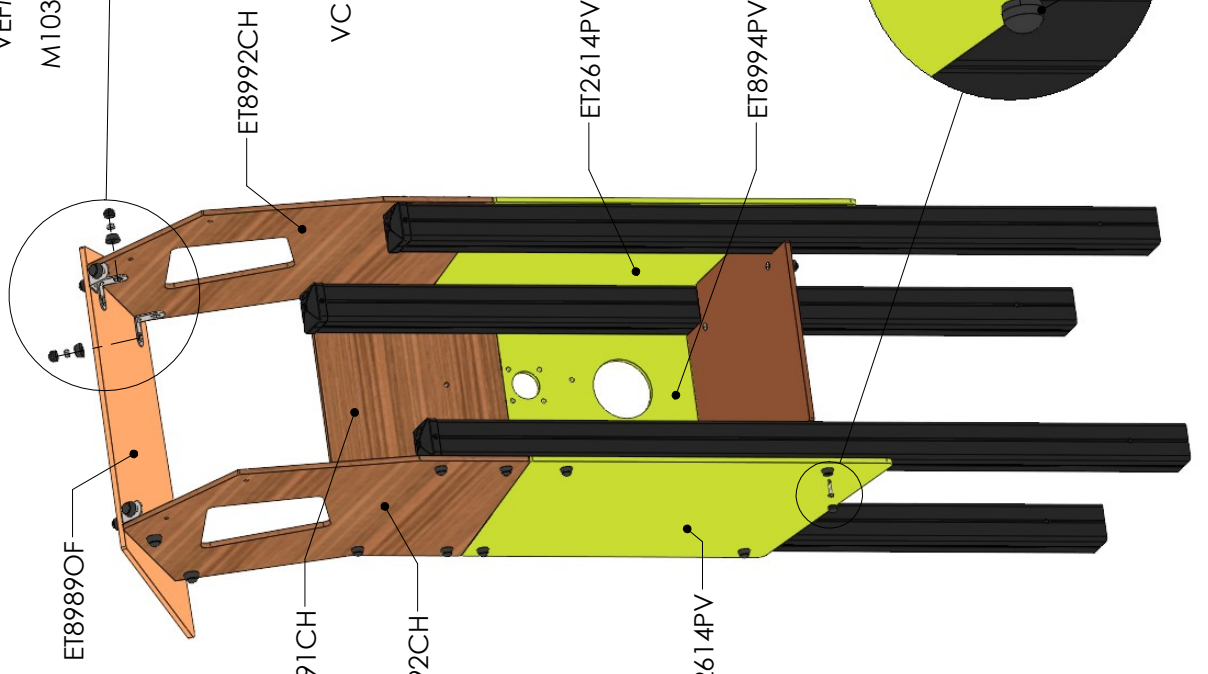


Réf	Qté
EM4551R	1
EM4551V	1
ET2614PV	2
ET8979OF	1
ET8989OF	1
ET8990OF	1
ET8991CH	1
ET8992CH	2
ET8994PV	1
ET47119OF	1
FT27114	1
LGP2615	4
LI2631	1
LI2692	2
M2200	4
M4040	4
M8310N	24
M8440N	24
M10310N	38
M10440N	36
MI0001N	4
MU910	1
P13	8
P120	2
RRAV6	8
VCBHC10x30I	28
VCBHC10x50I	3
VCBHC10x70I	4
VEFM10	36
VTH6x30A	28

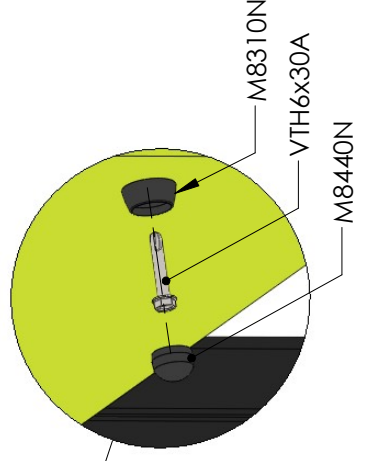
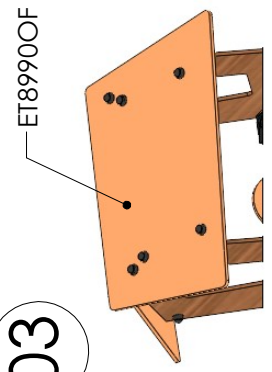
01

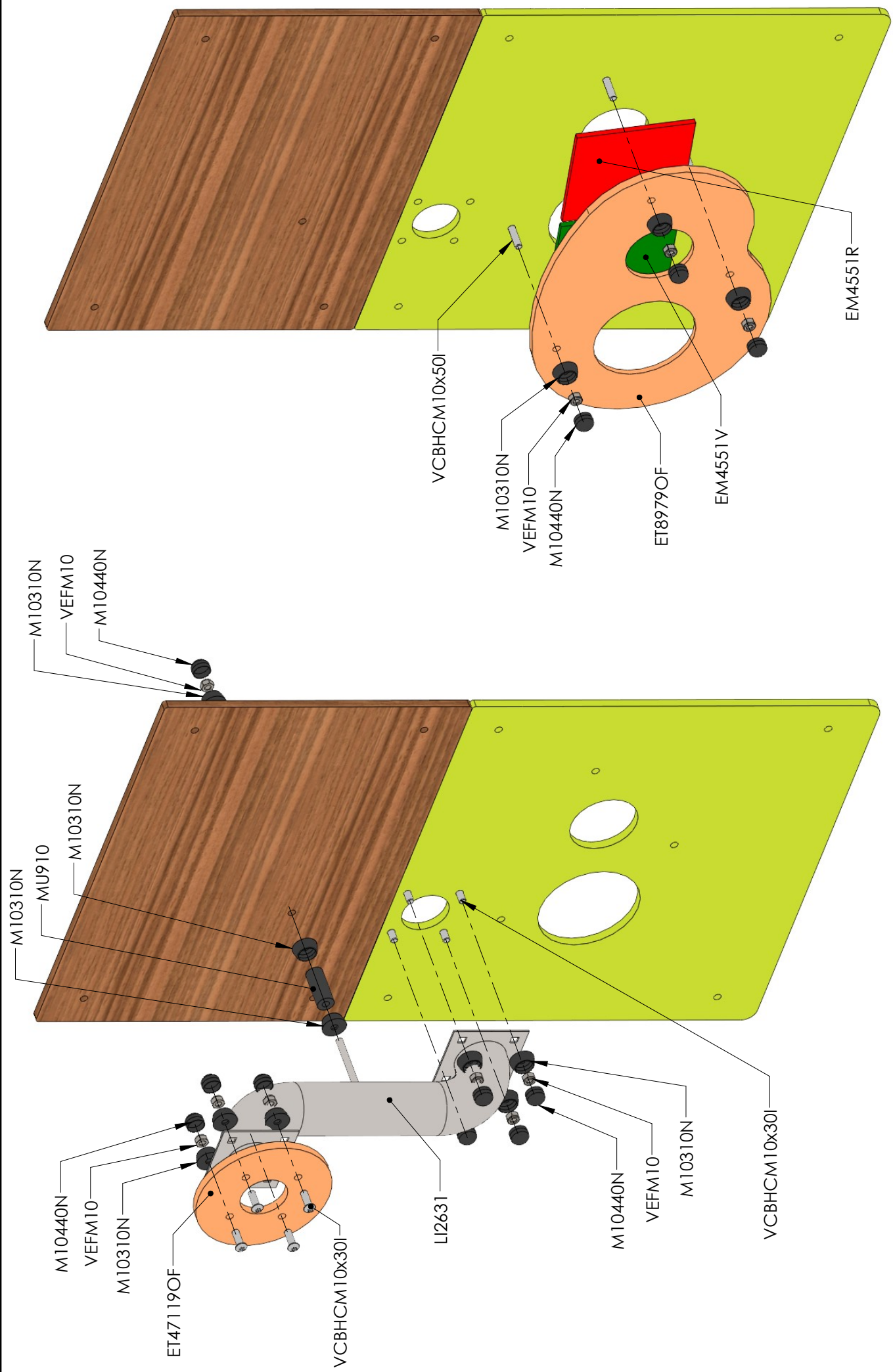


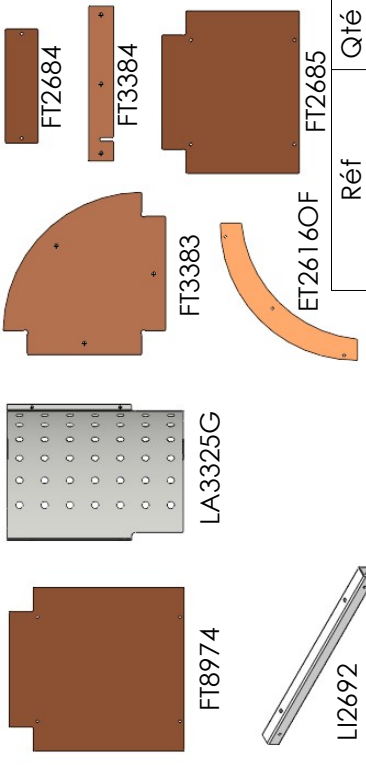
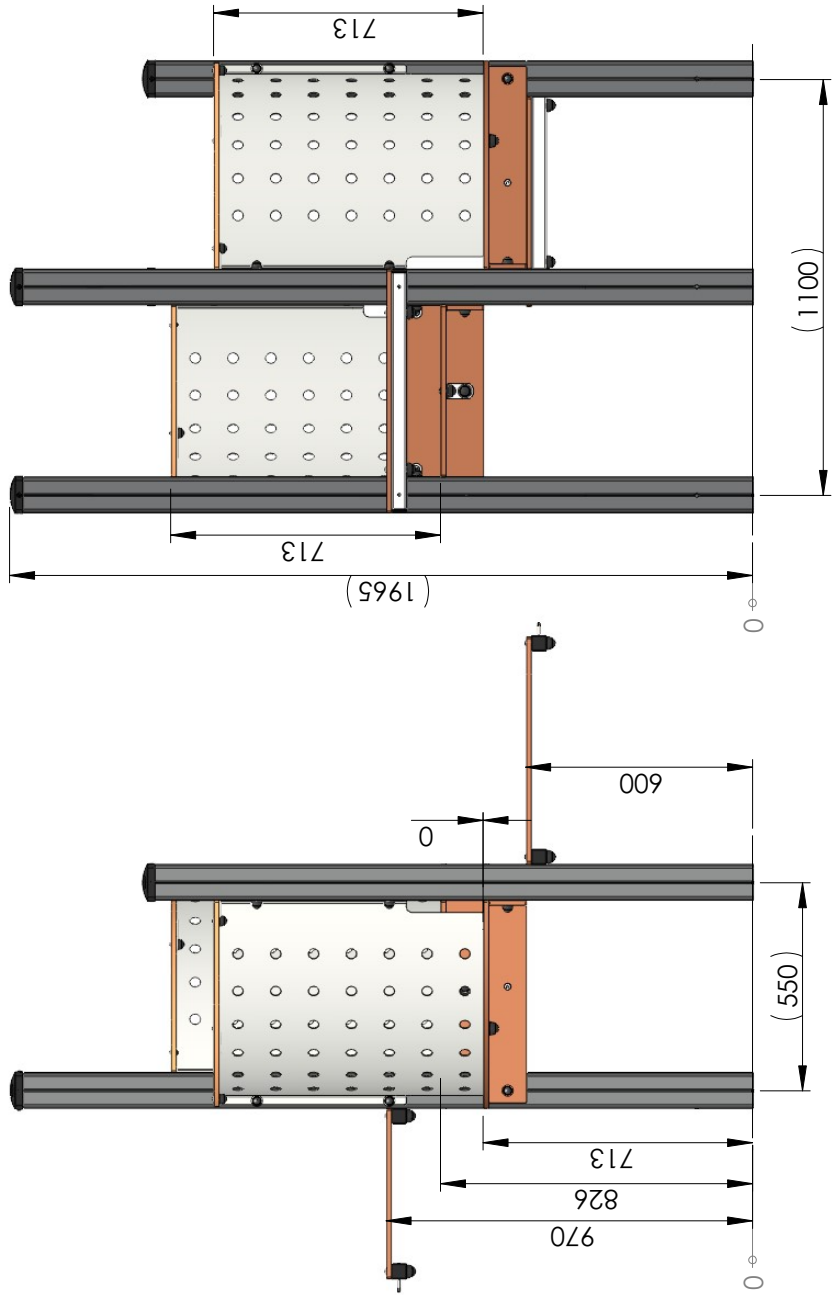
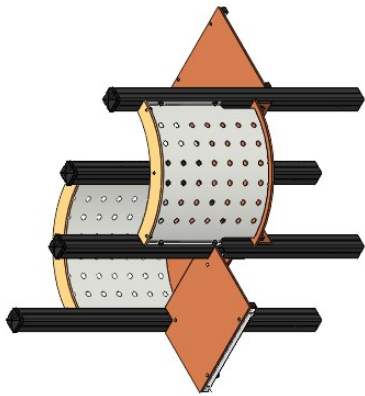
02



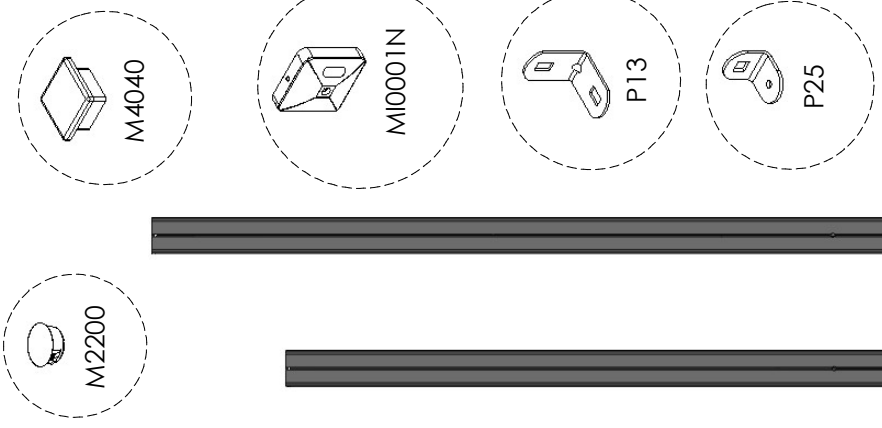
03





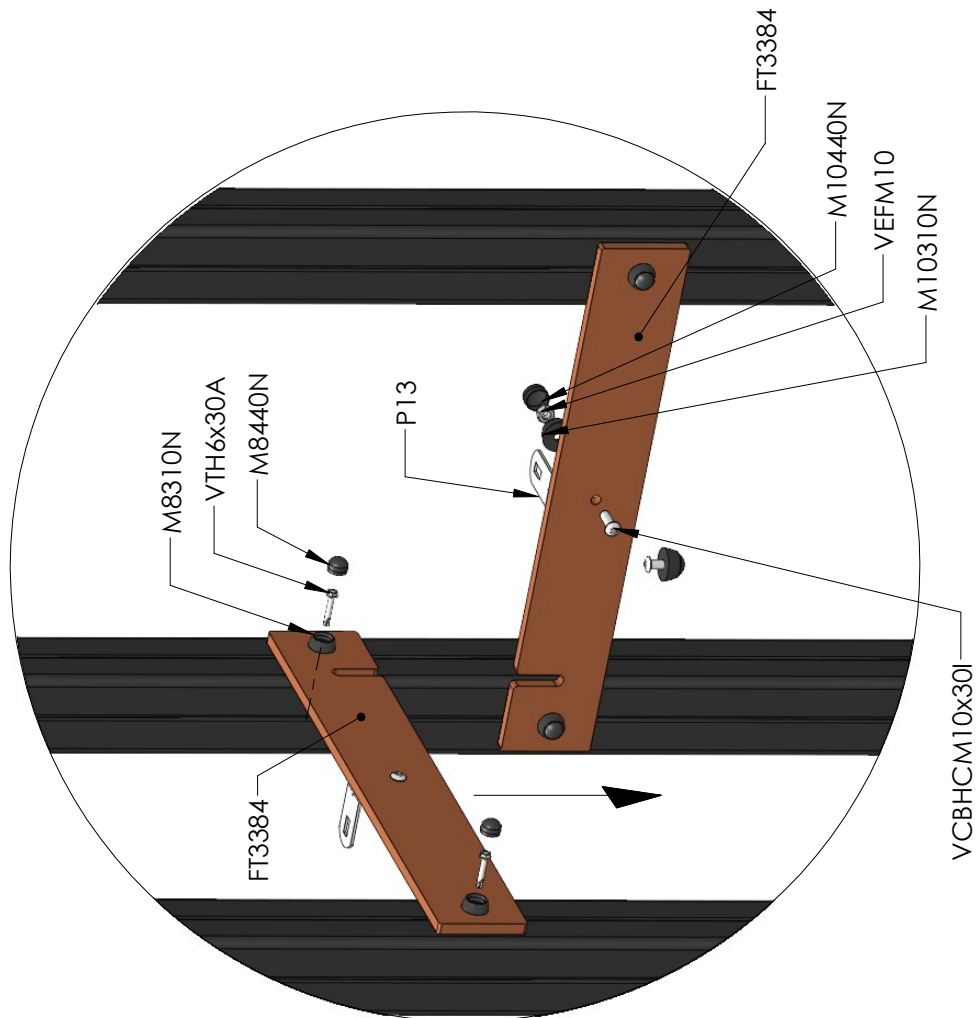
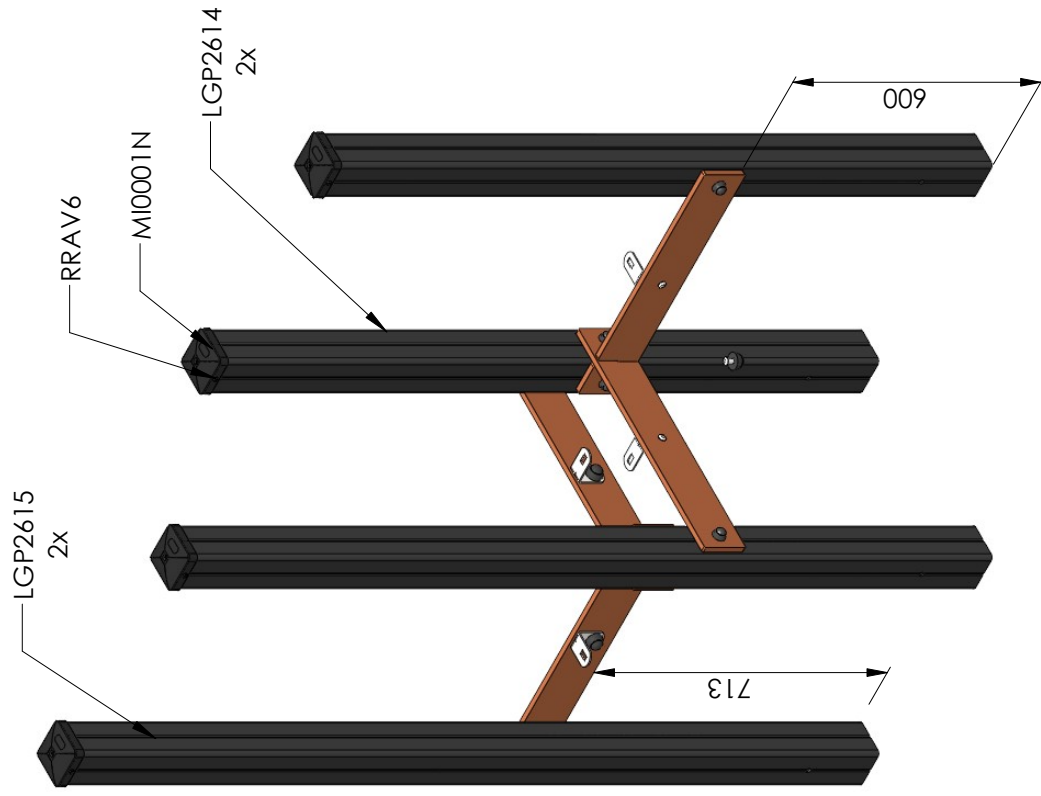


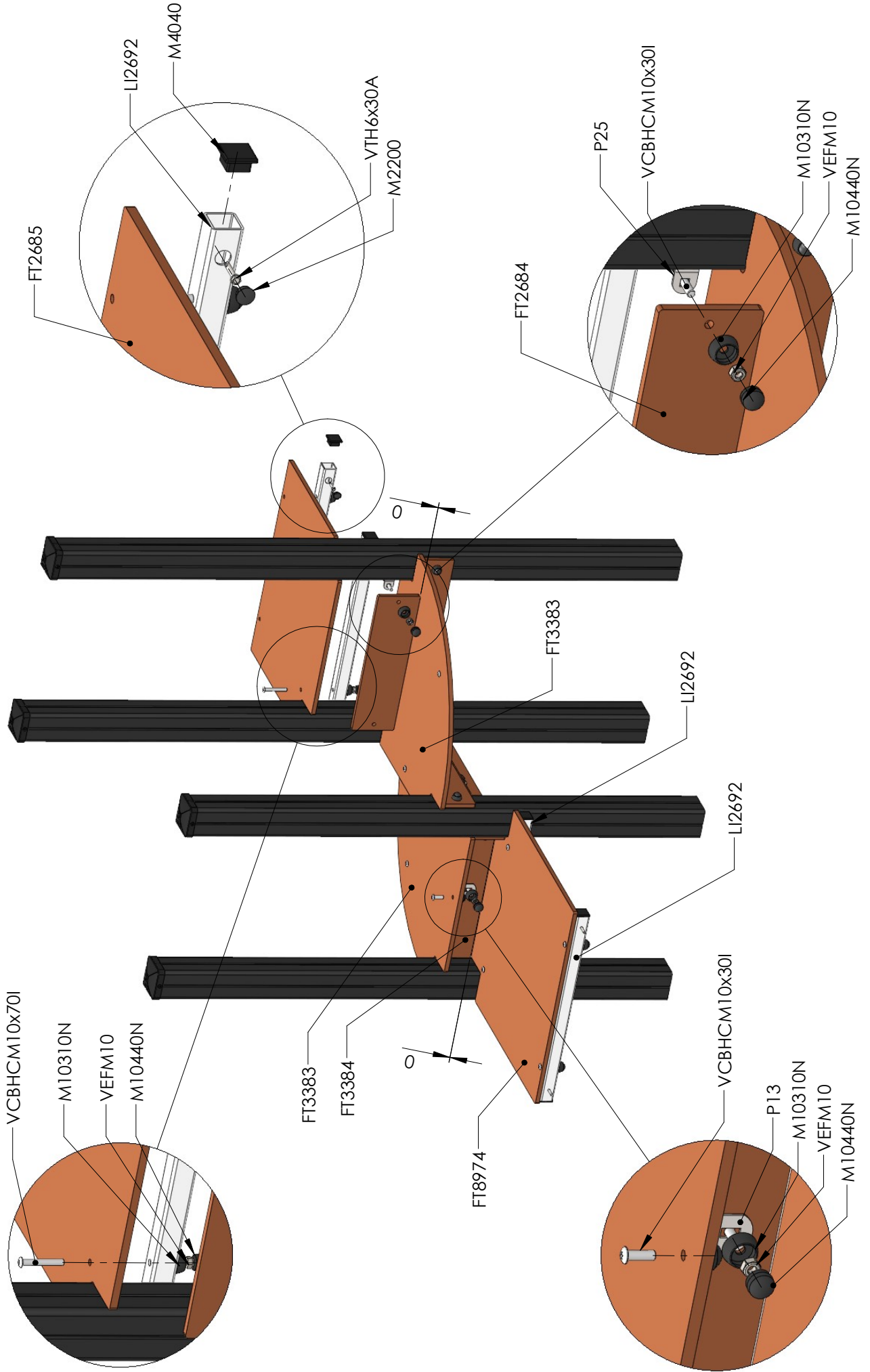
Réf	Qté
ET2616OF	2
FT2684	1
FT2685	1
FT3383	2
FT3384	4
FT8974	1
LA3325G	2
LGP2614	2
LGP2615	2
LI2692	4
M2200	8
M4040	8
M8310N	26
M8440N	26
M10310N	20
M10440N	20
MI0001N	4
P13	4
P25	2
RRAV6	8
VCBHC M8x30I	8
VCBHC M10x30I	12
VCBHC M10x70I	8
VEFM8	8
VEFM10	20
VTH6x30A	26

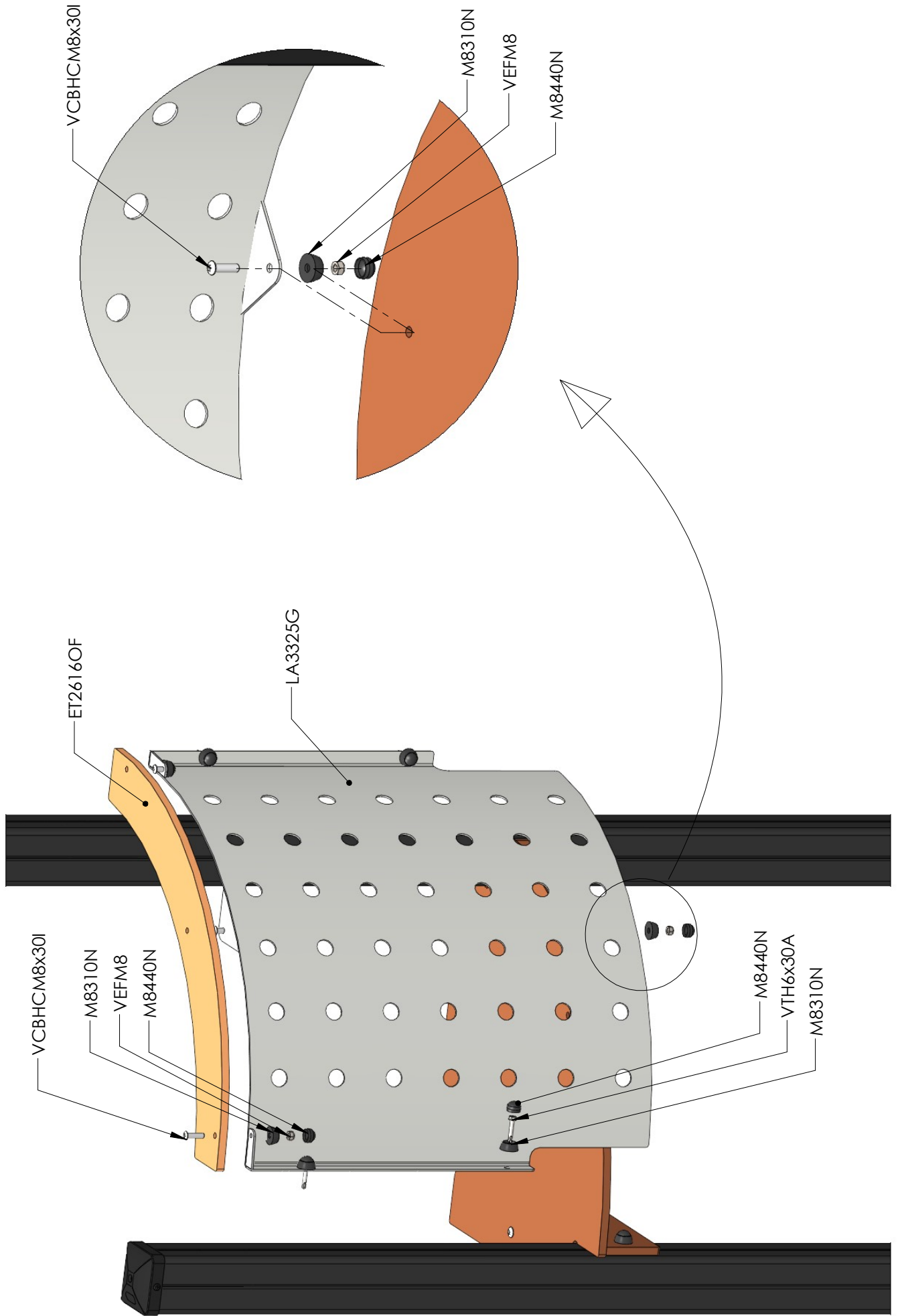


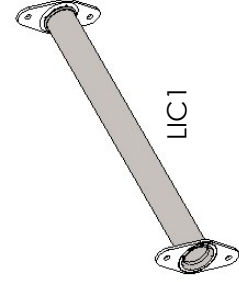
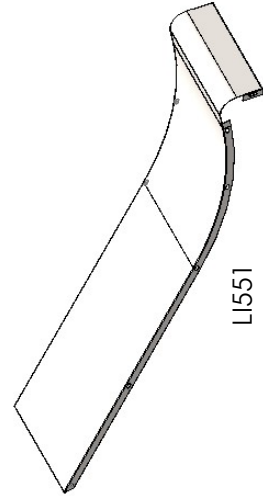
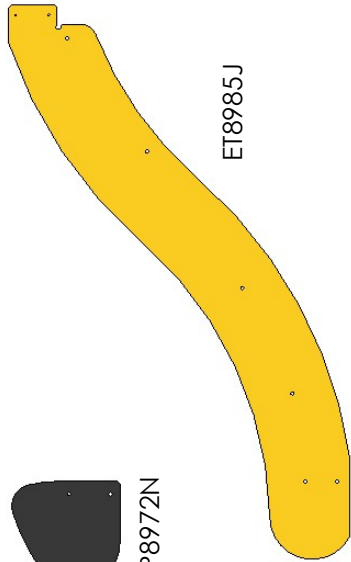
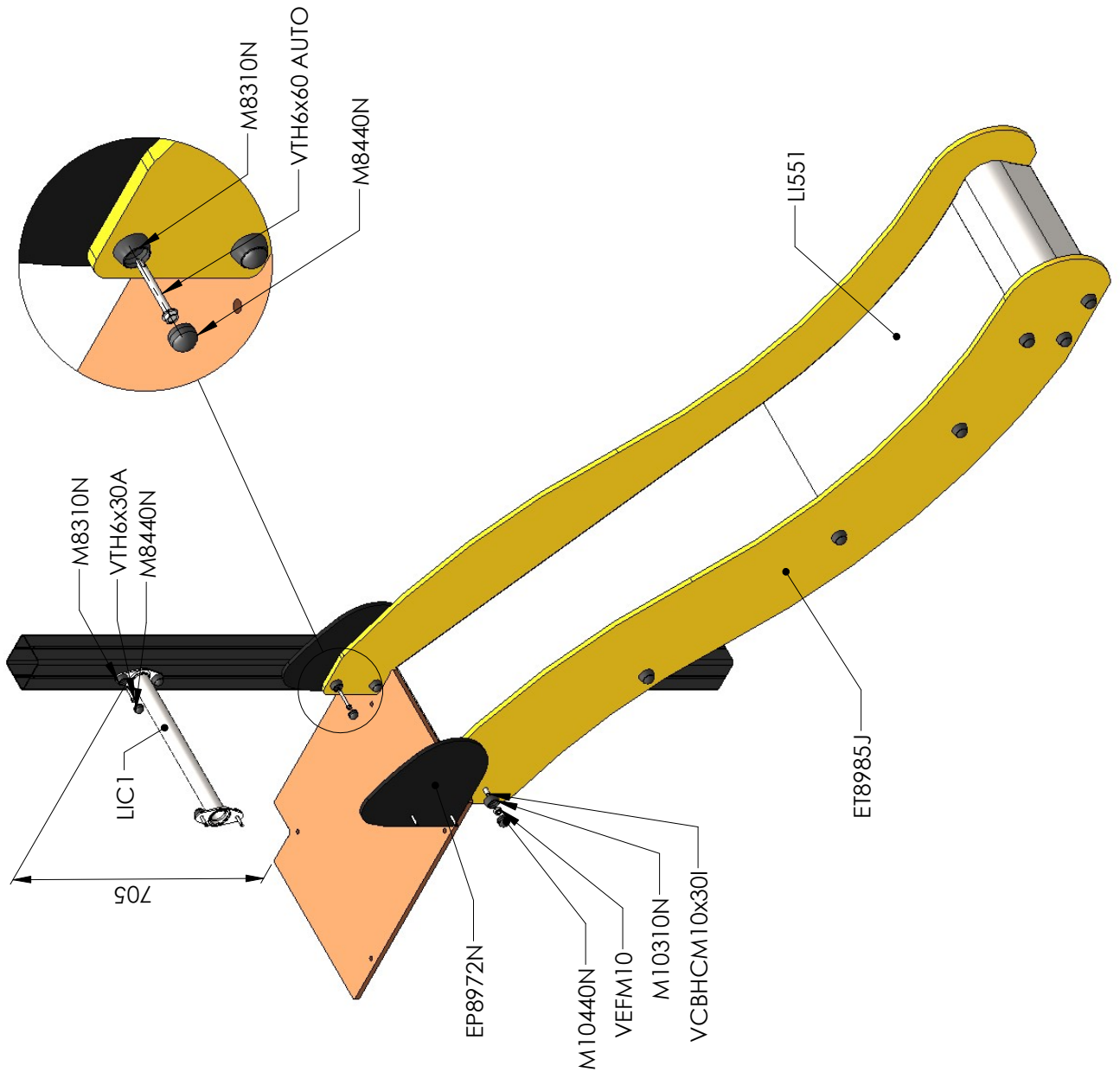
LGP2614 LGP2615

01

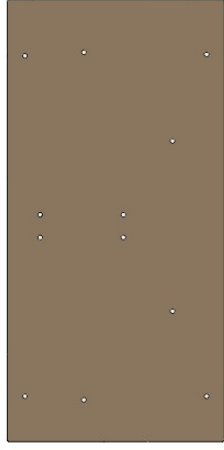
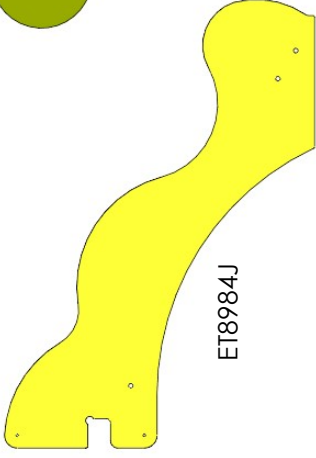
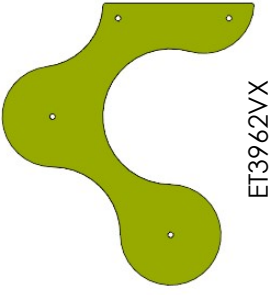
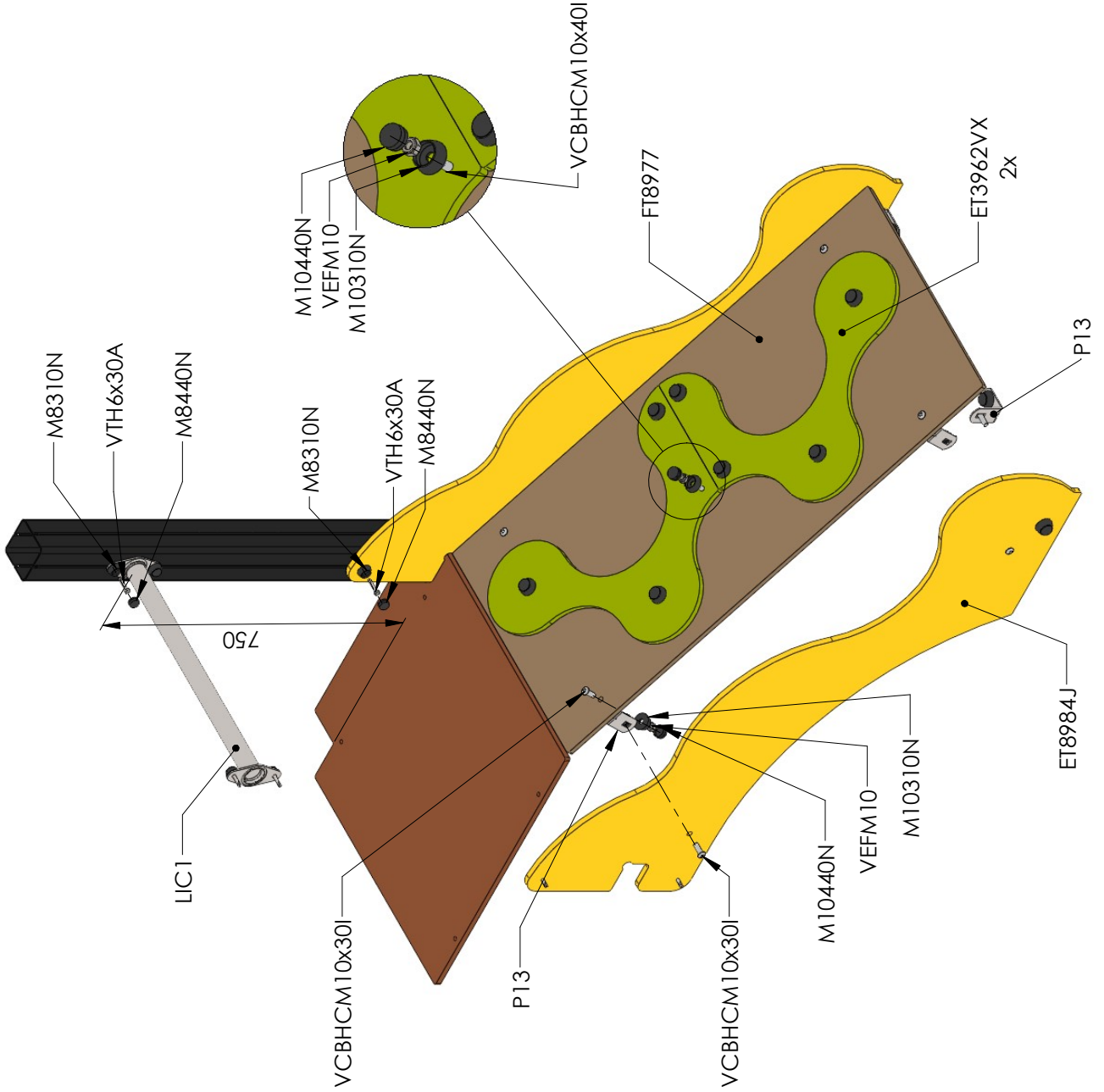




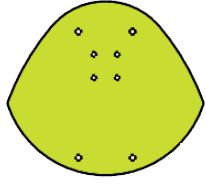
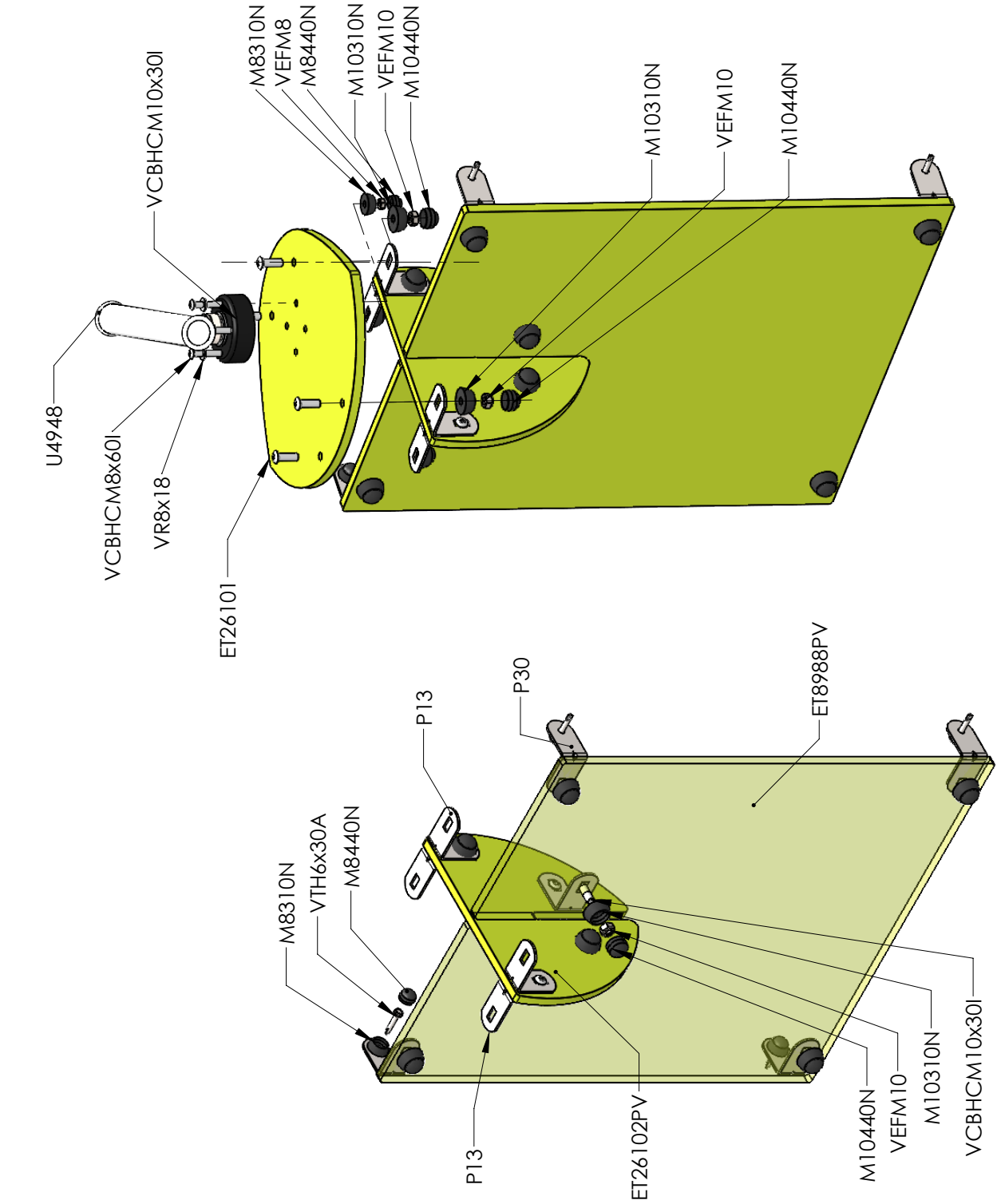




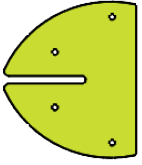
Réf	Qté
EP8972N	2
ET8985J	2
LI551	1
LIC1	1
M8310N	8
M8440N	8
M10310N	16
M10440N	16
PI3	2
RD14M10	2
VCBHC10x30I	14
VEFM10	14
VTH6x30A	4
VTH6x60 AUTO	4



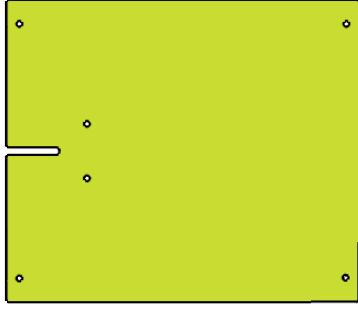
Réf	Qté
ET3962VX	2
ET8984J	2
FT8977	1
LIC6	1
M8310N	8
M8440N	8
M10310N	20
M10440N	20
P13	6
RD14M10	2
VCBHCM10x30I	10
VCBHCM10x40I	8
VEFM10	18
VTH6x30A	8



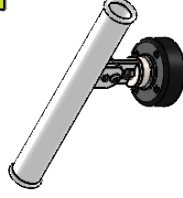
ET26101PV



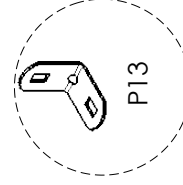
ET26102PV



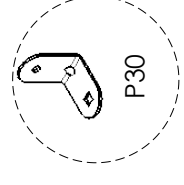
ET8988PV



U4948

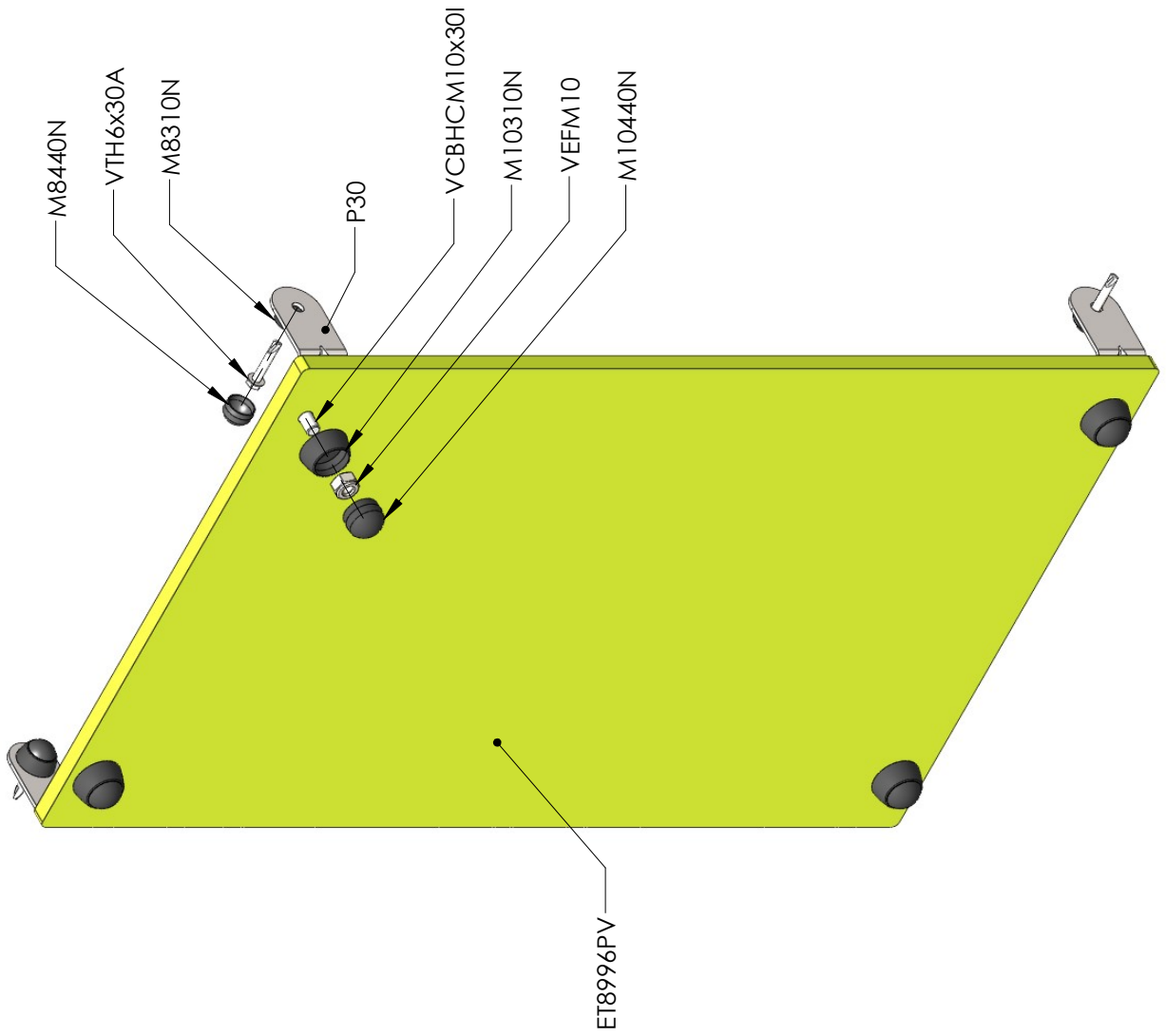


P13

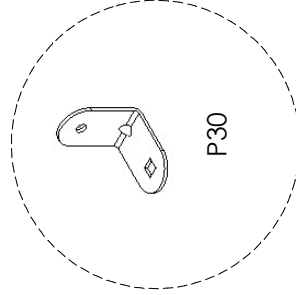


P30

Réf	Qté
ET26102PV	1
ET26101PV	1
ET8988PV	1
M8310N	8
M8440N	8
M10310N	14
M10440N	14
P13	6
P30	4
U4948	1
VCBHCMI0x30I	14
VEFM10	14
VTH6x30A	4
VCBHCMI8x60I	4
VEFM8	4
VR8x18	4

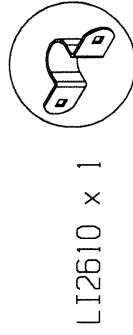
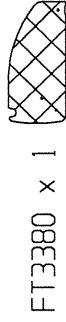
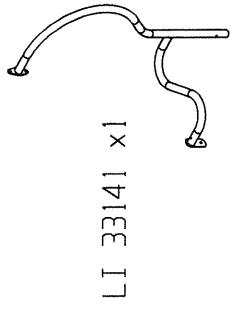
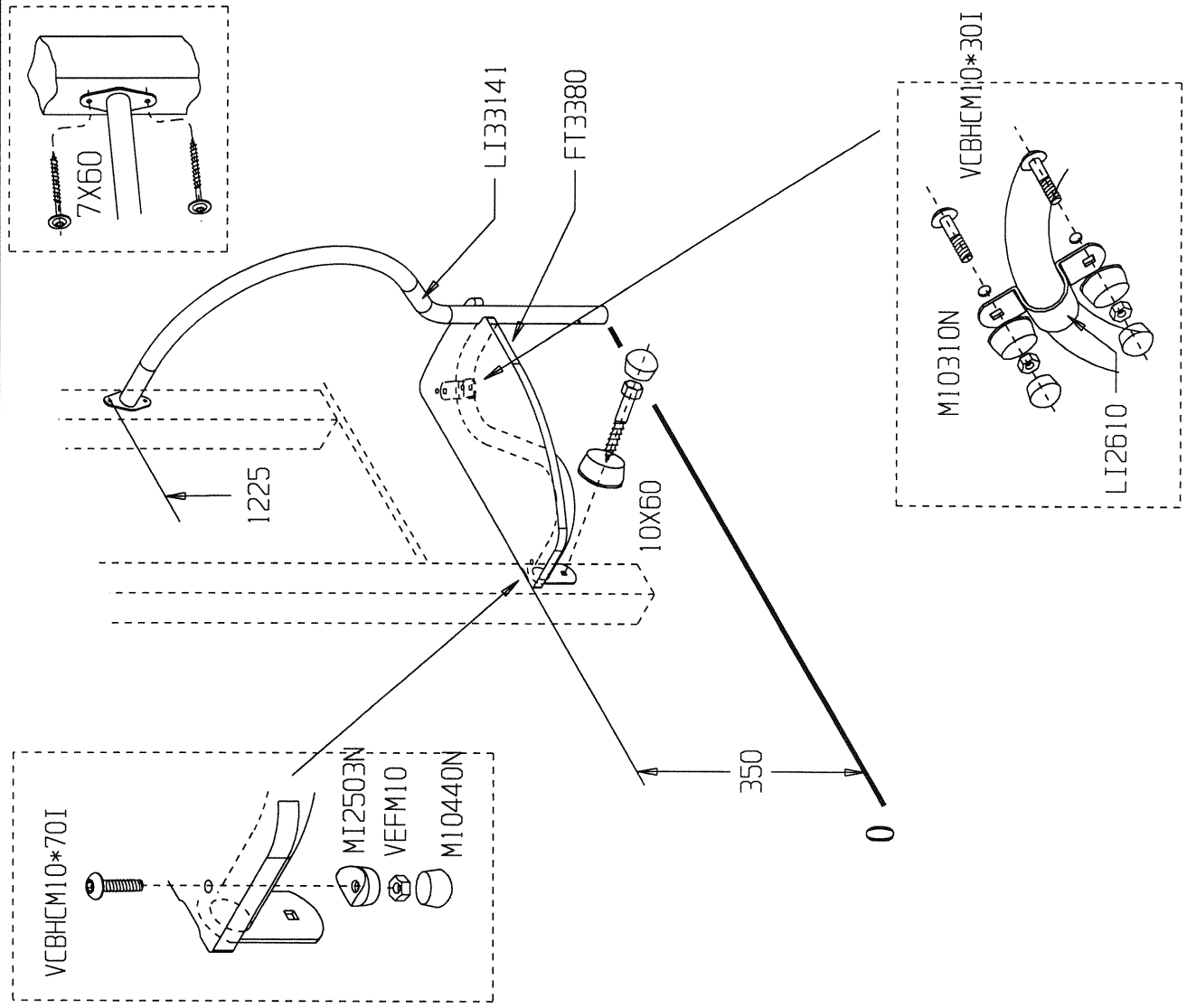


ET8996PV

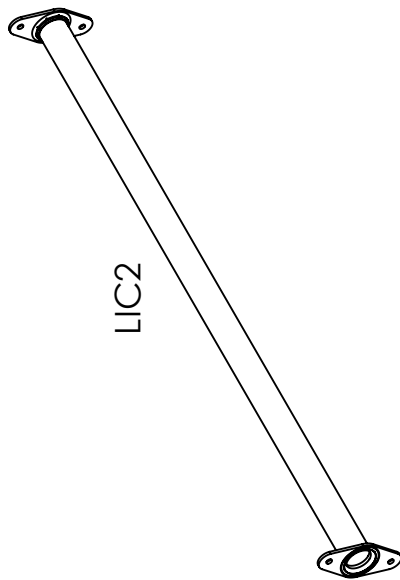
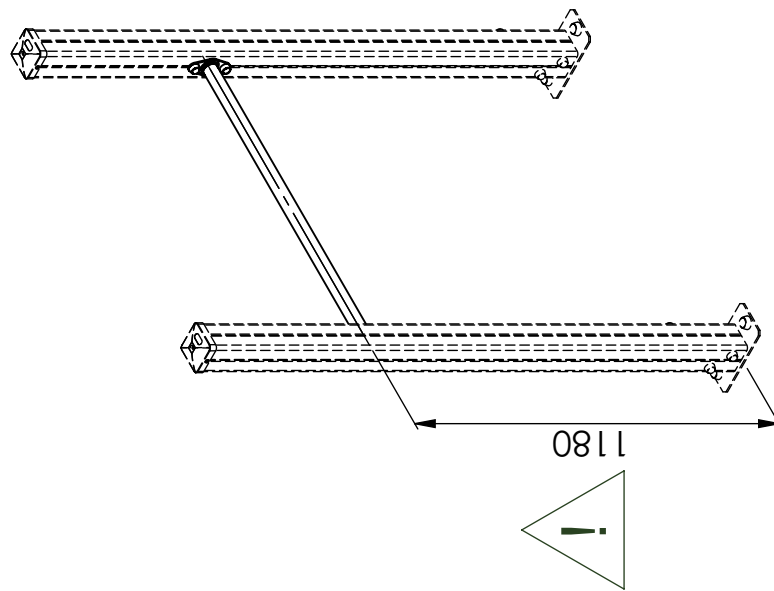
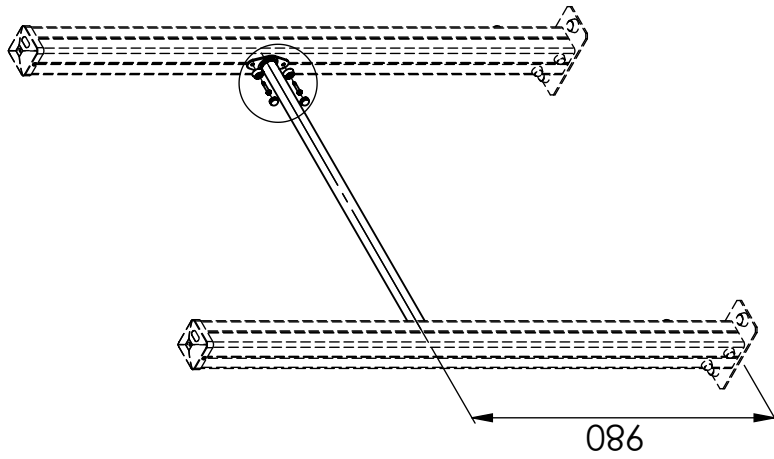
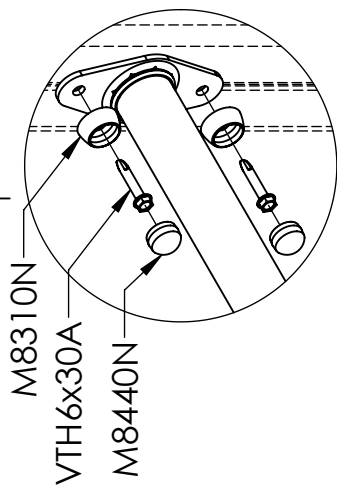


P30

Réf	Qté
ET8996PV	1
M8310N	4
M8440N	4
M10310N	4
M10440N	4
P30	4
VCBHCM10x30I	4
VEFM10	4
VTH6x30A	4



	VBT 7x60	2
	VCBHCM10*30I	2
	VCBHCM10*70I	1
	VTF 10x60	1
	M10310N	3
	M10440N	4
	VEFM10	3
	M2503	1



M8310N	4
M8440N	4
VTH6x30A	4
LIC2	1