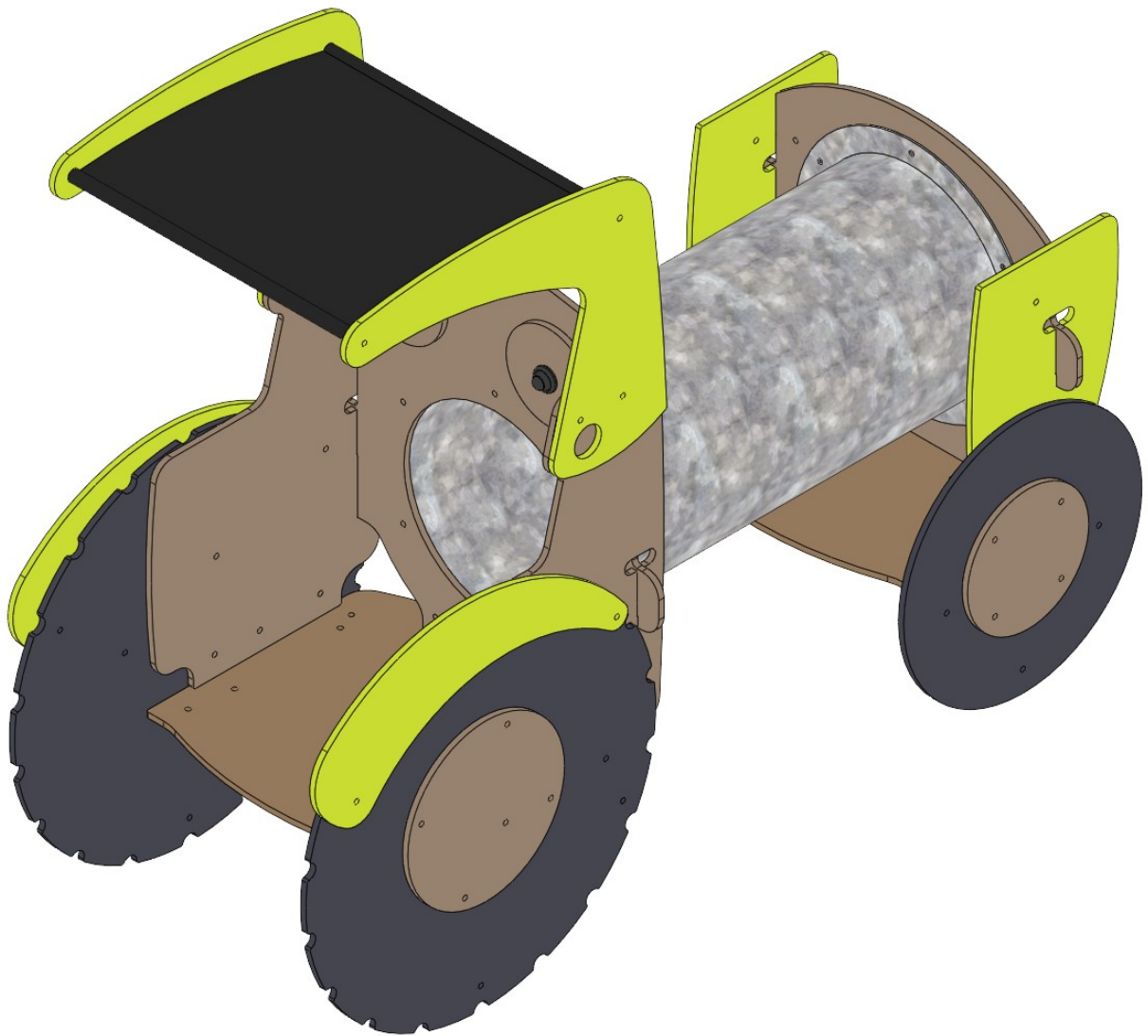


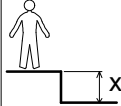
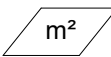
J2623

*ProLudic*





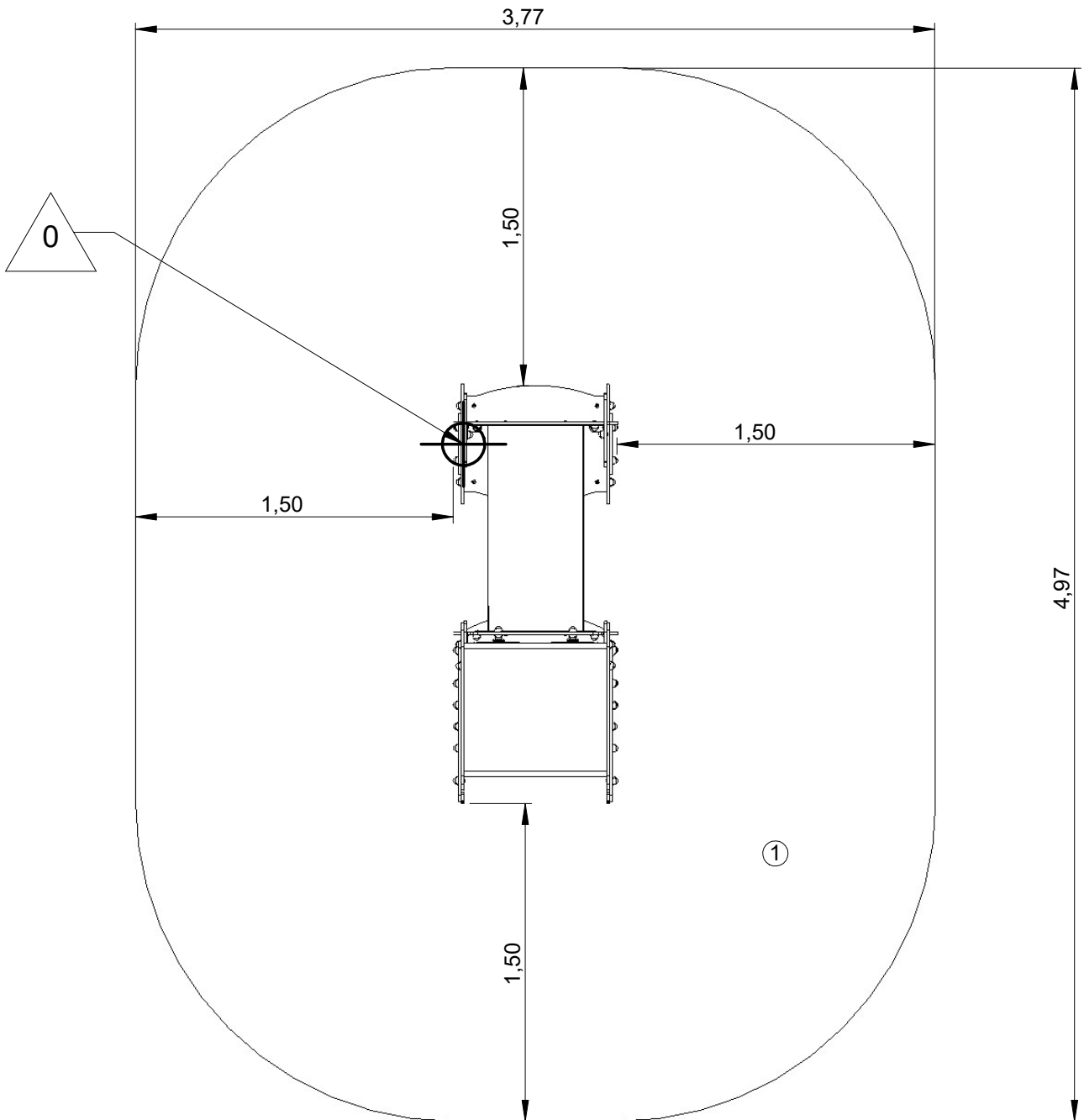
*ProLudic*

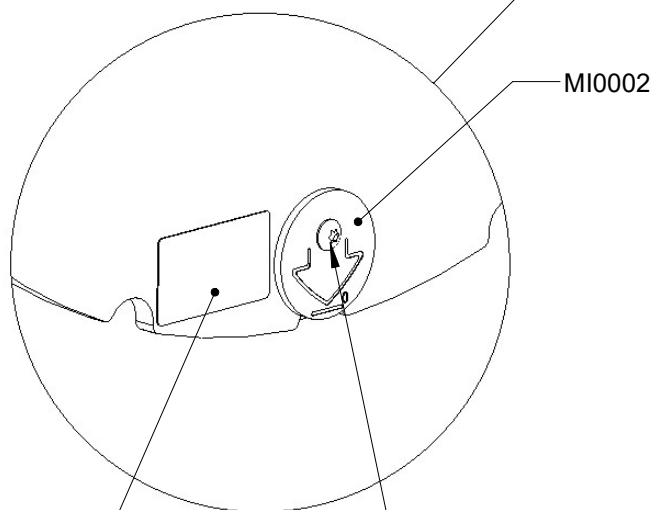
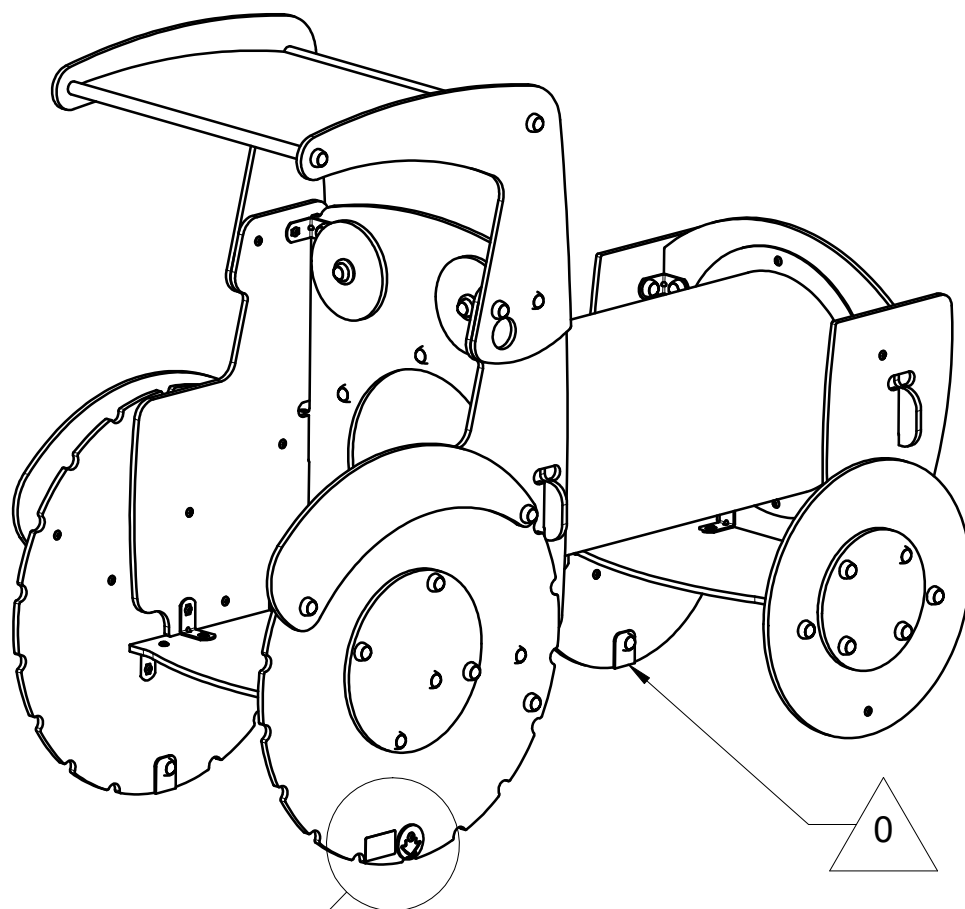
N°		
1	0.6 m	17 m <sup>2</sup>

— Zone d'impact  
Impact area  
Area de impacto  
Fallraum  
Valzone

① Point de référence  
Setting out point  
Punto de referencia  
Bezugspunkt  
Referentiepunt

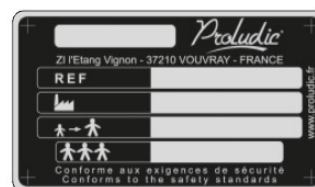
EN1176-1:2017



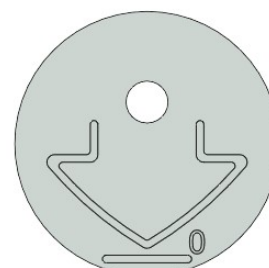


LA000

VCBHCM10x30I  
M10310N  
VEFM10  
M10440N



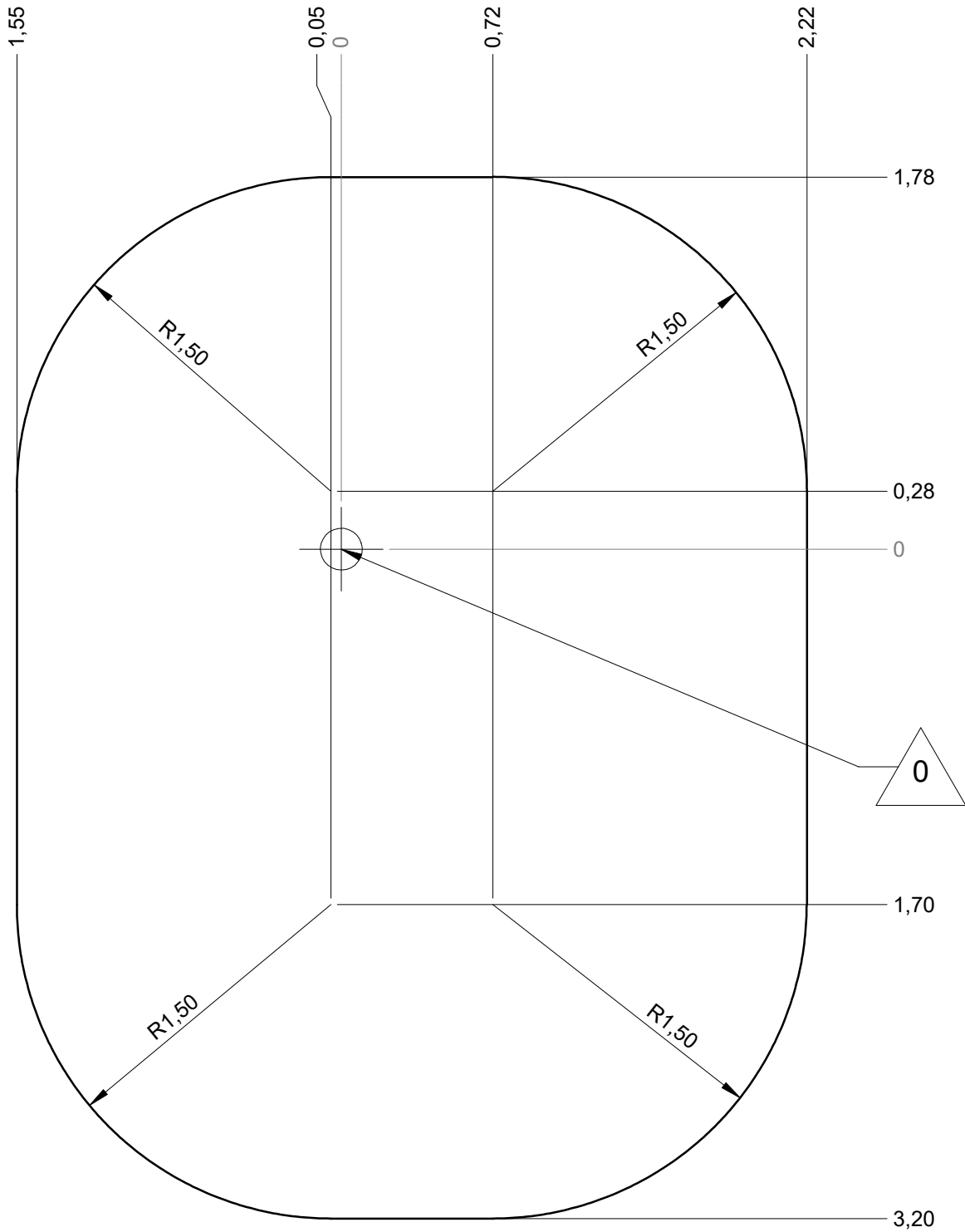
LA000



MI0002

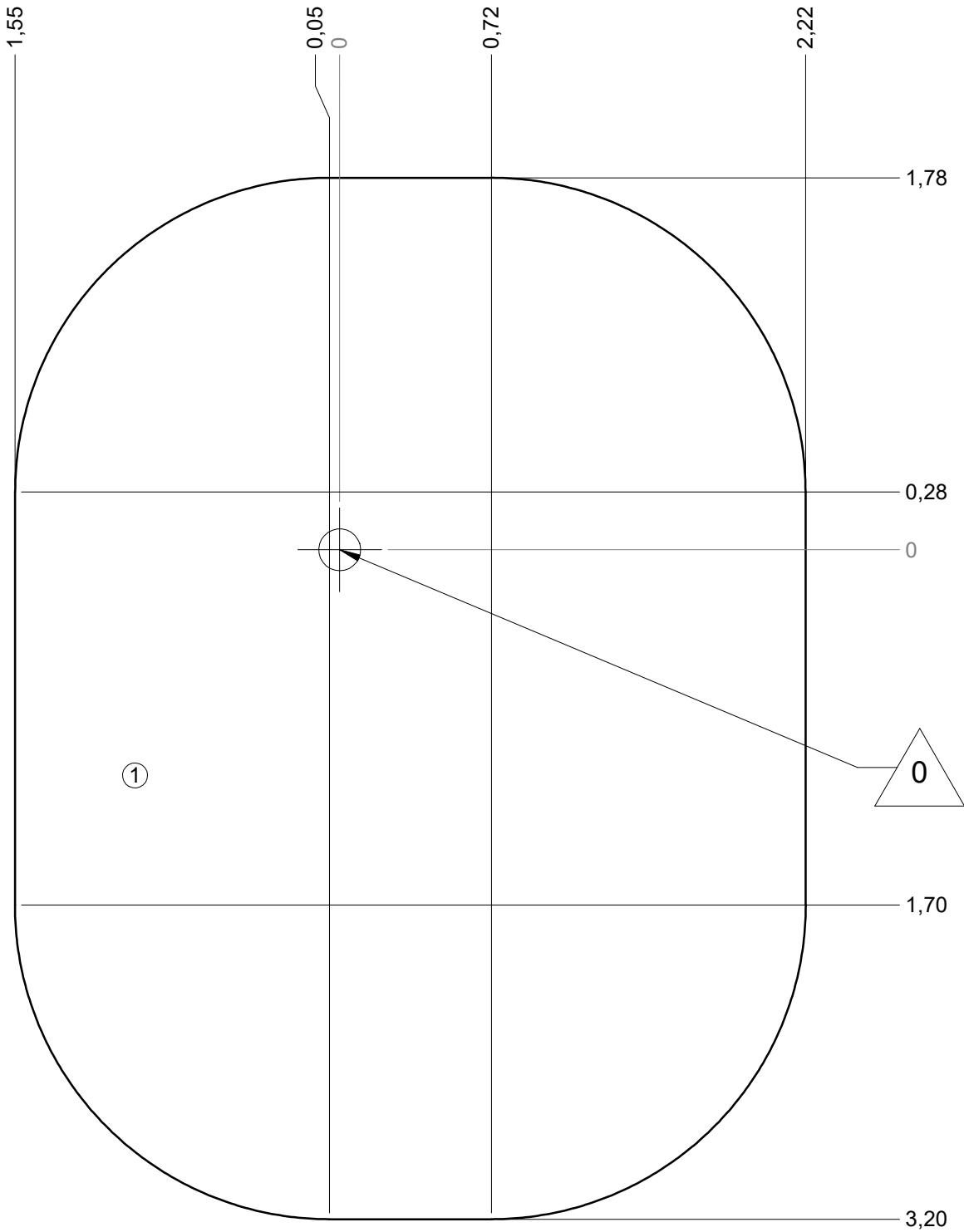
— Zone d'impact  
Impact area  
Area de impacto  
Fallraum  
Valzone

17 m<sup>2</sup>



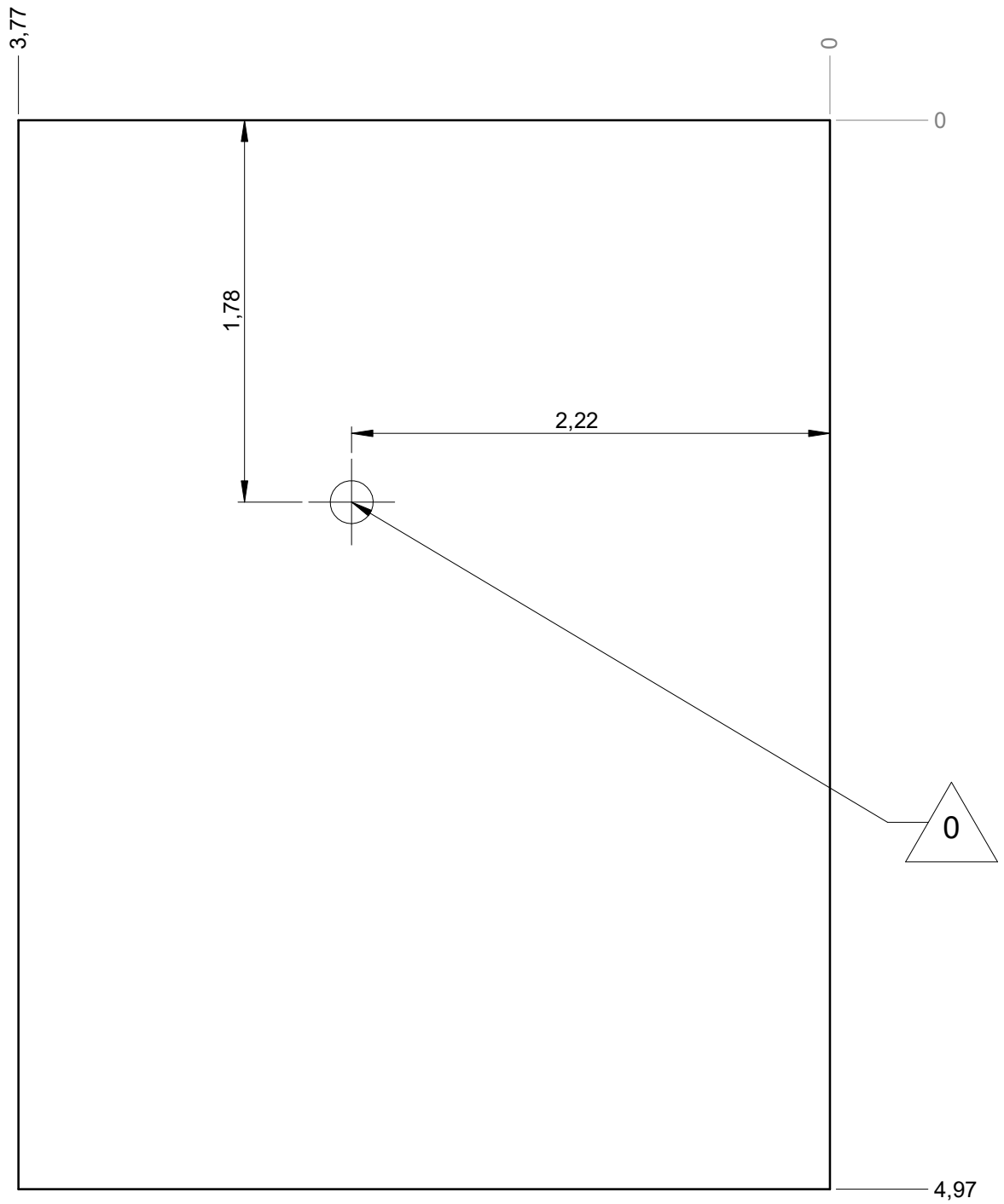
— Sol souple  
Wetpour  
Caucho continuo  
Synthetischer Fallschutz  
Gietvloer

17 m<sup>2</sup>

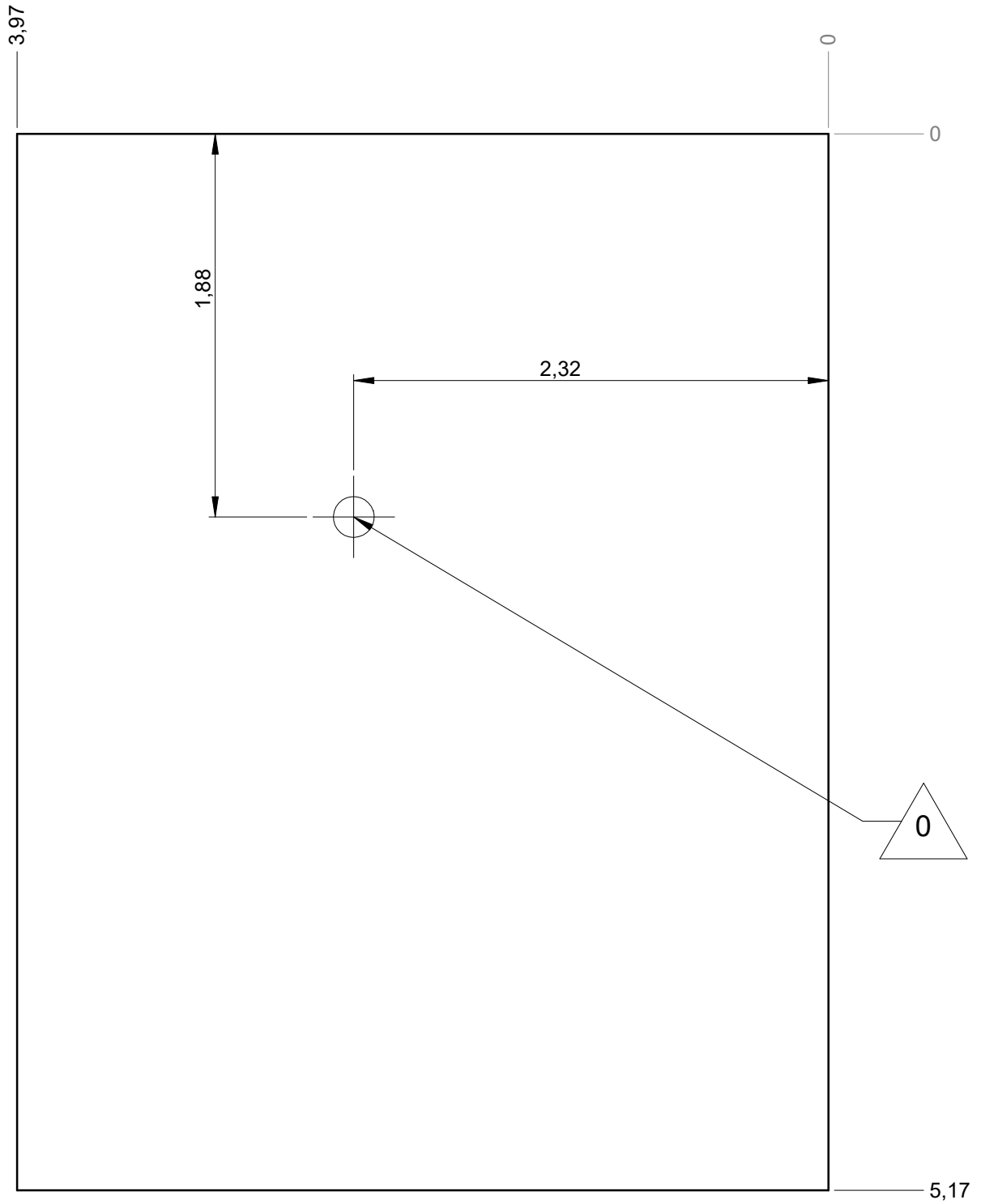


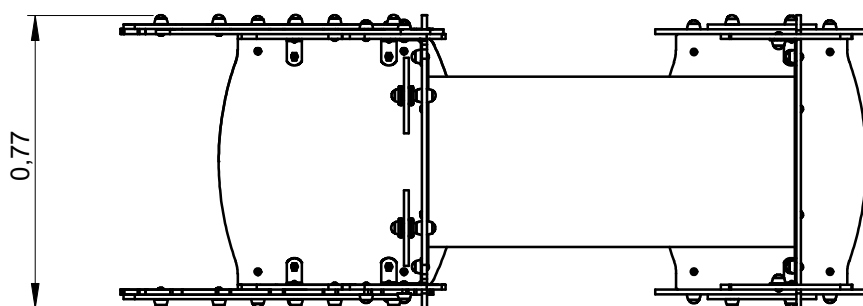
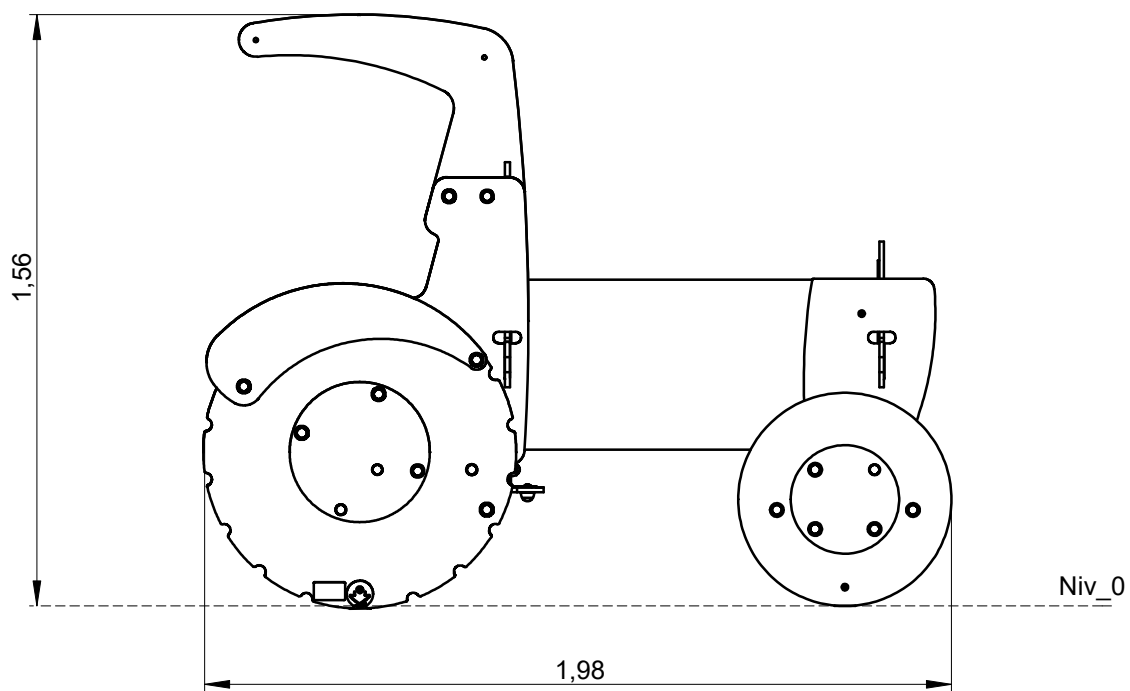
— Dalle béton  
Concrete pad  
Solera de hormigon  
Beton Bodenplatte  
Betonnen bodemplaat

18 m  
19 m<sup>2</sup>



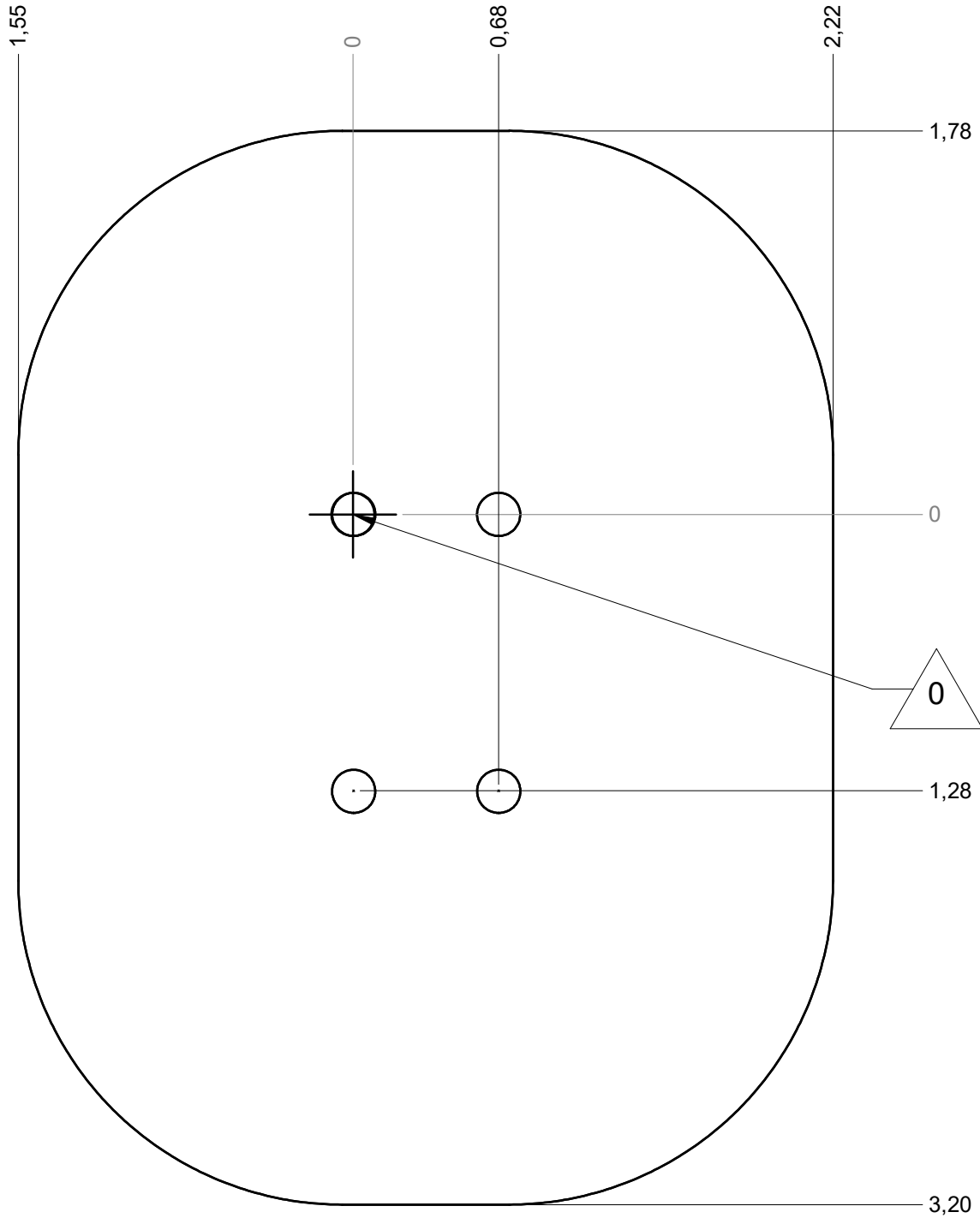
— Sol fluent  
Loos partucule material 19 m  
Arenero  
Loses Bodenmaterial 21 m<sup>2</sup>  
Los bodemateriaal




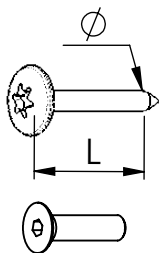




Implantation  
Footing plan  
Implantación  
Fundamentplan  
Funderingstekening



 x2	 3H	 RD14M10
---	--	---



VBT 6 x 30  
 $\varnothing$   $\uparrow$  L (mm)

VFHC



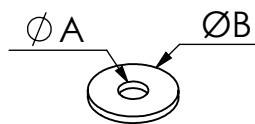
VEC M10  
 $\varnothing$




VEF




VEB



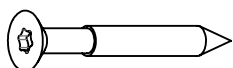
VR6x18  
 $\varnothing A$   $\varnothing B$



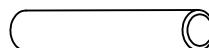
**1000 - 1800 tr/min**  
 Vitesse de rotation  
 Rotation speed



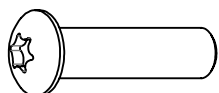
**14 N.m**  
 Couple de rupture  
 Torque of break



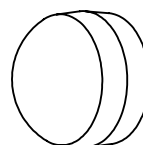
VWT



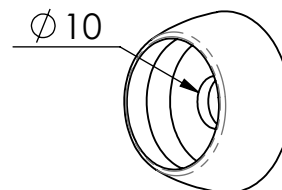
VGC



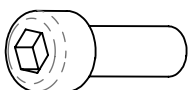
VCBHC



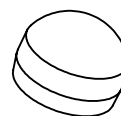
M10 440N



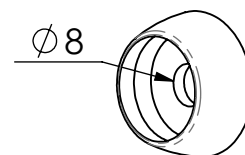
M10 310 N



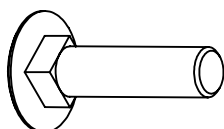
VBTR



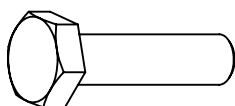
M8 440N



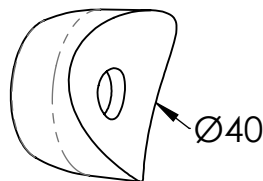
M8 310N



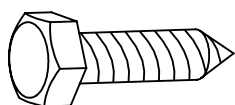
VTRCC



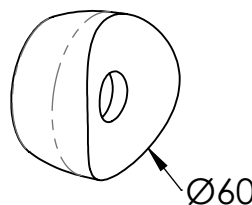
VTH



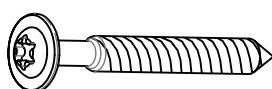
MI2503



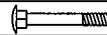
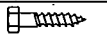
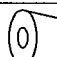


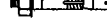
VTF

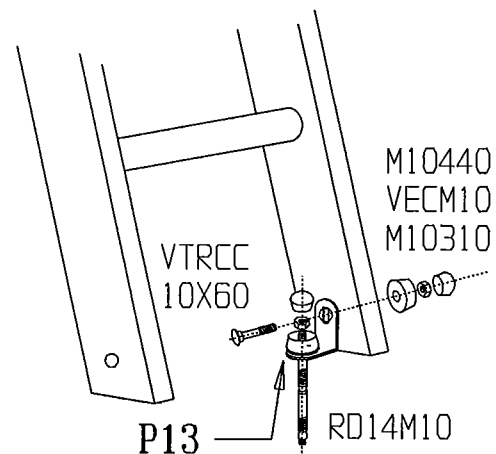
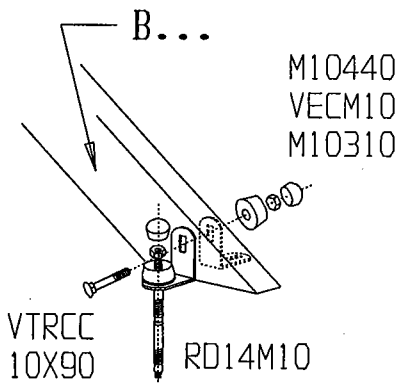
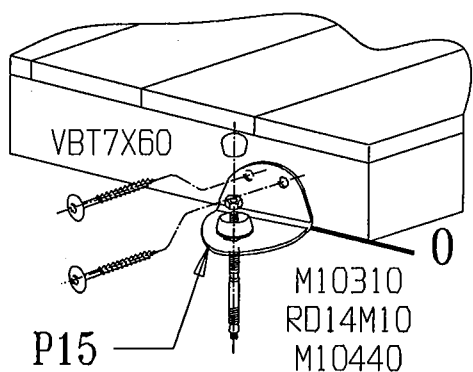
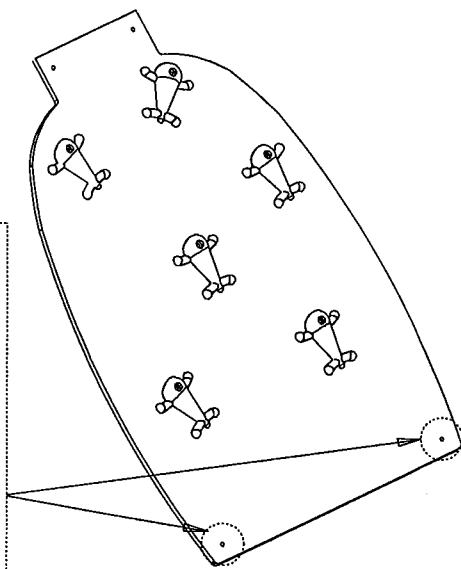
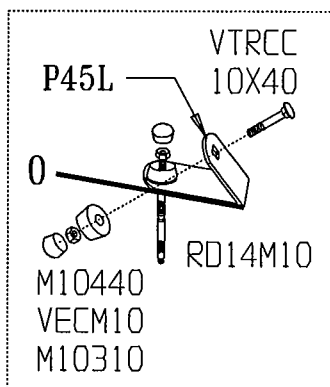
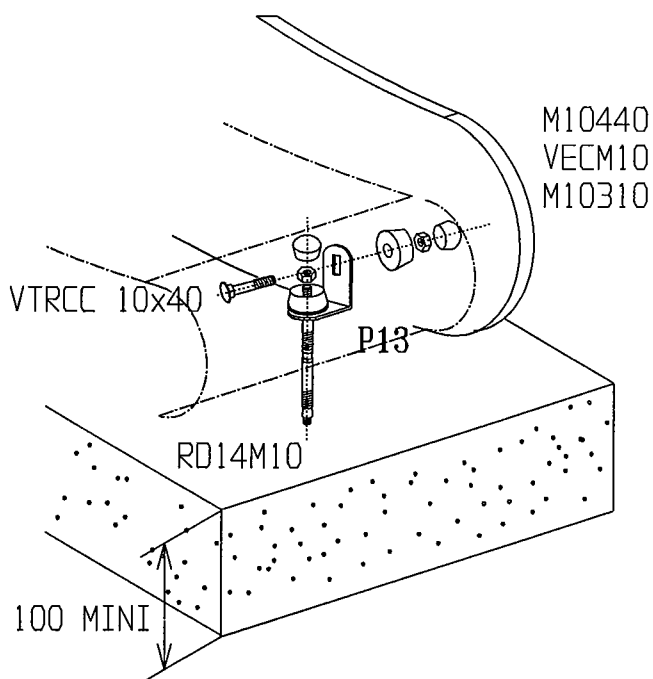
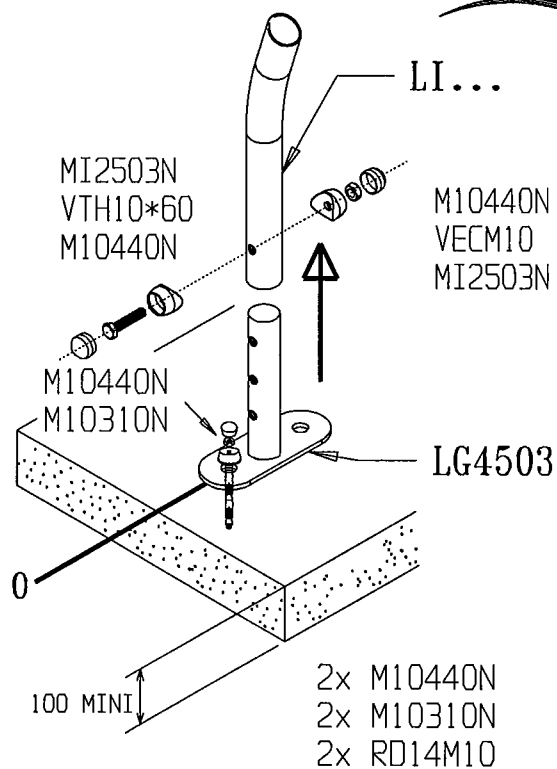
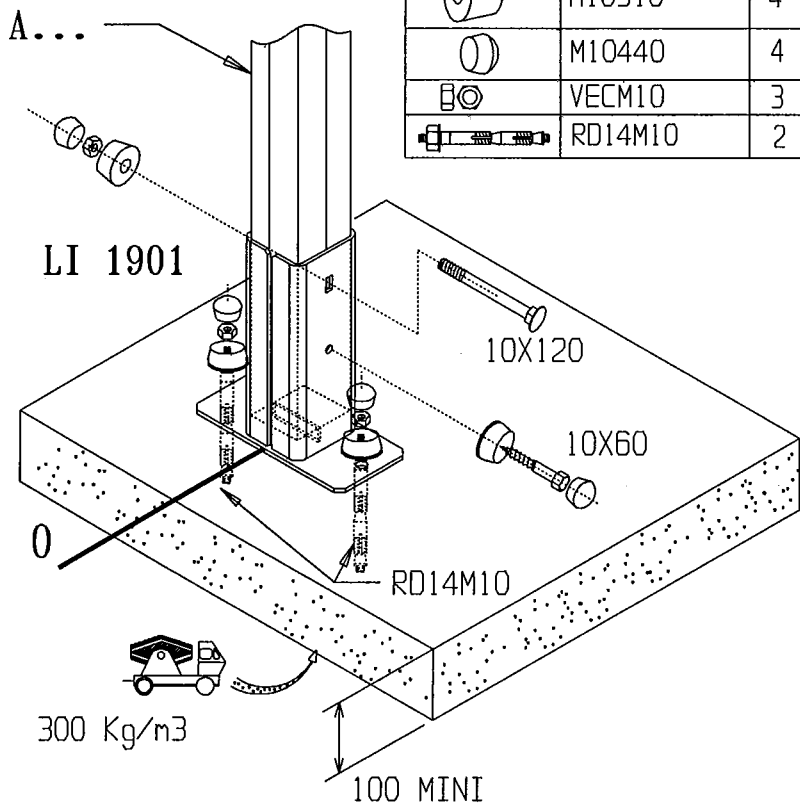


MI2701

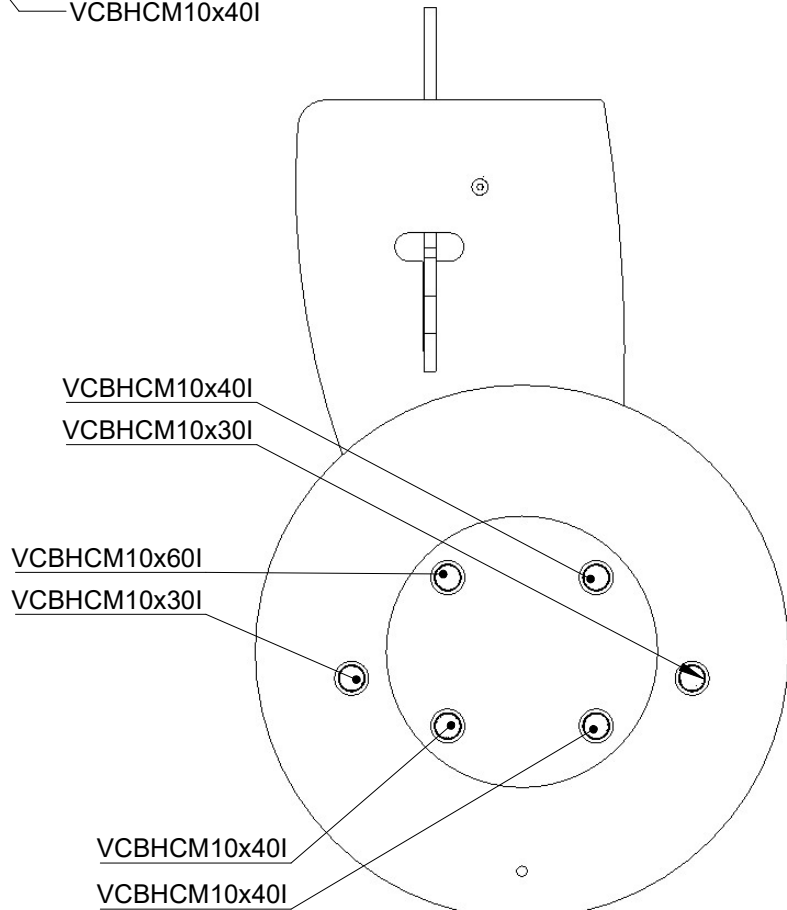
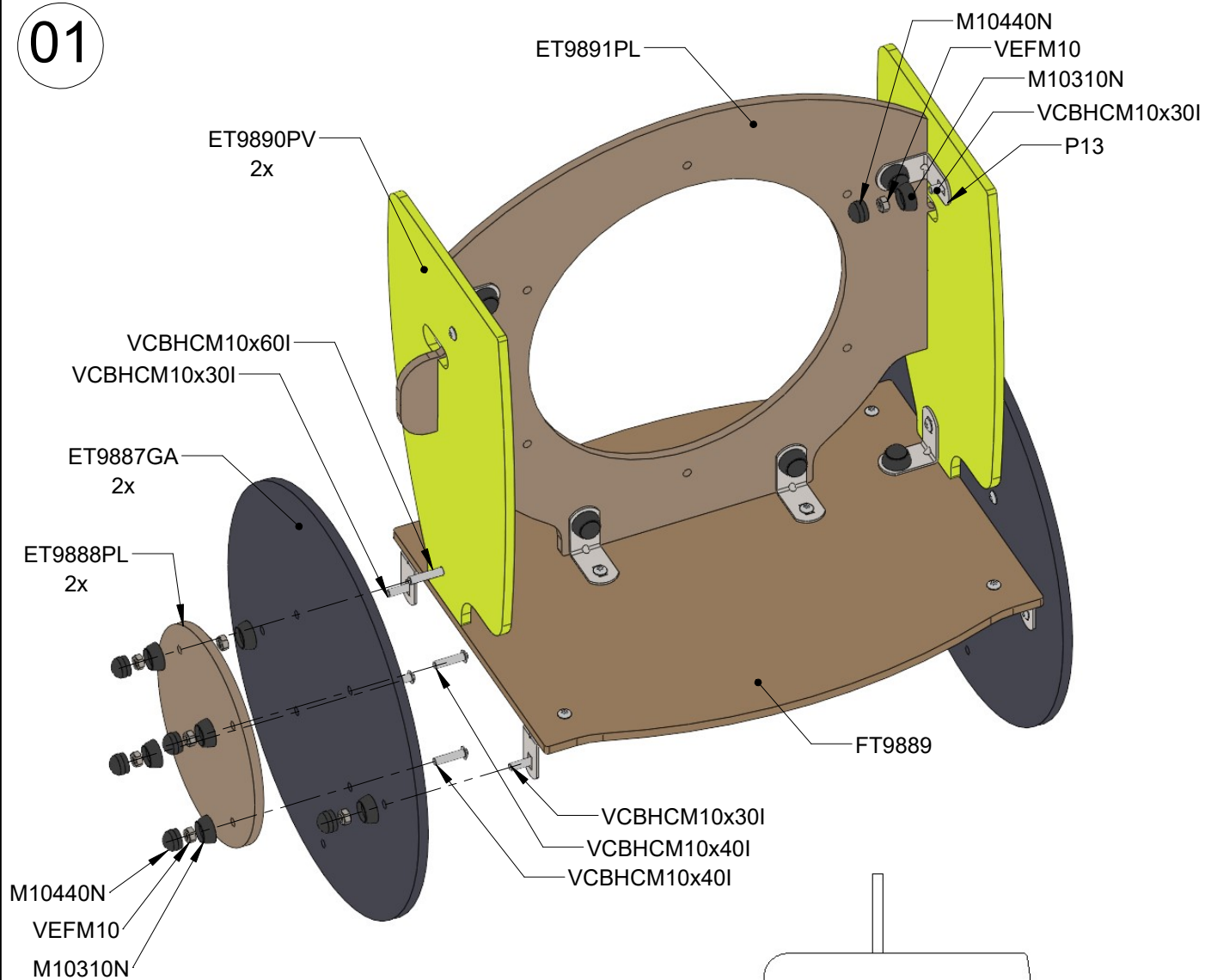


VBT

	VTRCC10x120	1
	VTF 10x60	1
	M10310	4
	M10440	4
	VECM10	3
	RD14M10	2

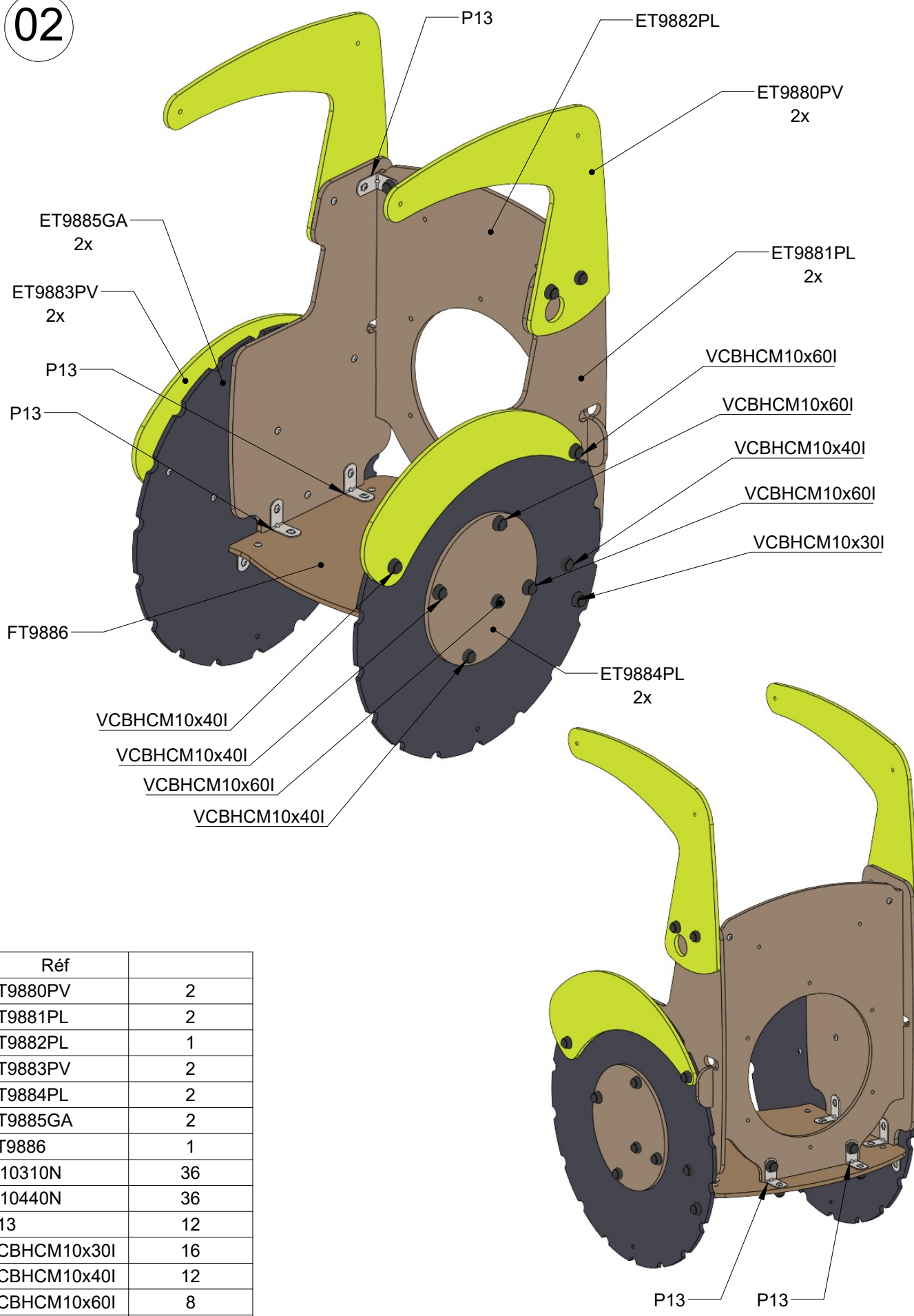


01



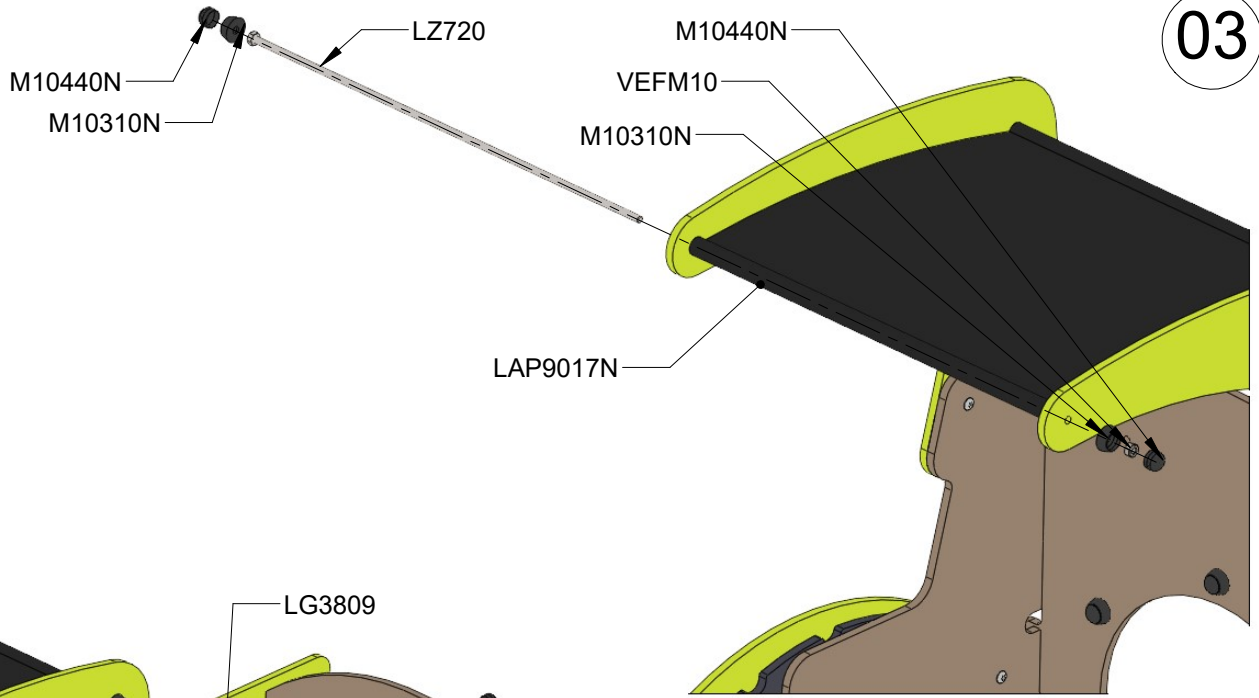
Réf	
ET9887GA	2
ET9888PL	2
ET9890PV	2
ET9891PL	1
FT9889	1
M10310N	26
M10440N	26
P13	10
VCBHCM10x30I	18
VCBHCM10x40I	6
VCBHCM10x60I	2
VEFM10	26

02

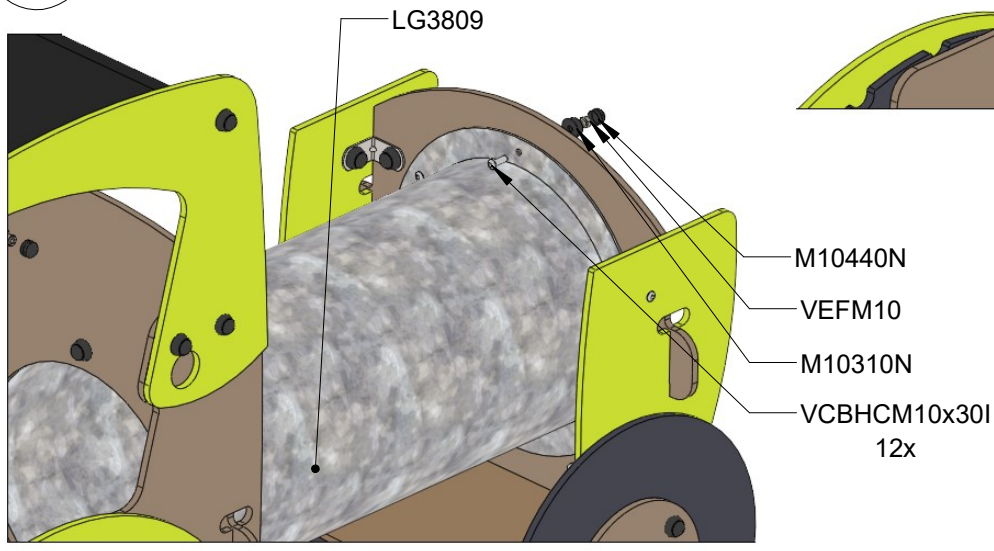


Réf	
ET9880PV	2
ET9881PL	2
ET9882PL	1
ET9883PV	2
ET9884PL	2
ET9885GA	2
FT9886	1
M10310N	36
M10440N	36
P13	12
VCBHCM10x30I	16
VCBHCM10x40I	12
VCBHCM10x60I	8
VEFM10	36

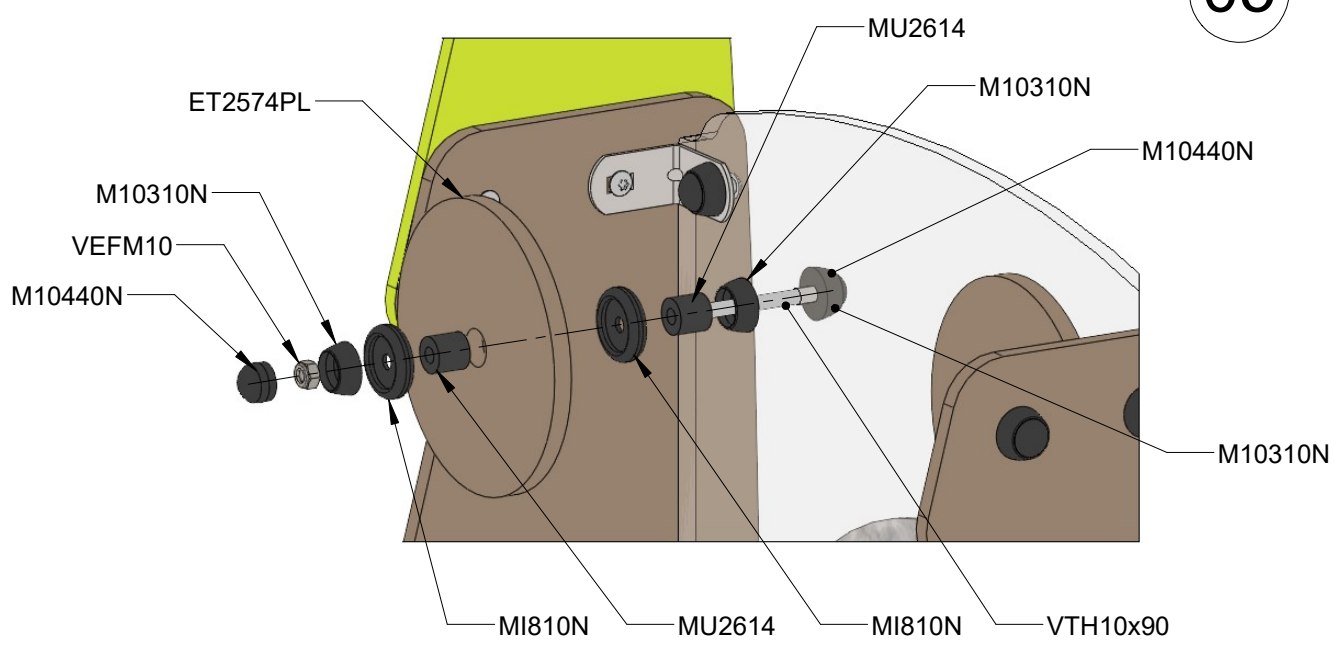
03



04



05





Réf	
ET2574PL	2
ET9880PV	2
ET9881PL	2
ET9882PL	1
ET9883PV	2
ET9884PL	2
ET9885GA	2
ET9887GA	2
ET9888PL	2
ET9890PV	2
ET9891PL	1
FT9886	1
FT9889	1
LA000	1
LAP9017N	1
LG3809	1
LZ720	2
M10310N	92
M10440N	90
MI0002	1
MI810N	4
MU2614	4
P13	26
VCBHCM10x30I	50
VCBHCM10x40I	18
VCBHCM10x60I	10
VEFM10	82
VTH10x90	2
RD14M10	4